

Automotive Plug-In / PCB Power Relay

PC792A



FEATURES

- Most popular automotive relay
- 1 A and 1 C contact forms available
- Contact switching capacity up to 120 Amps
- 40 Amps continuous carrying capacity
- Up to 125 degrees C operating temperature
- Internal diodes or resistors available
- Sockets available from Picker Components

CONTACT RATINGS

Contact Form	1 Form A or 1 Form C	
	Normally Open	Normally Closed
Max Switching Current	Make 120 Amps	Make 45 Amps
	Break 40 Amps	Break 30 Amps
Max. Switching Voltage	75 VDC	
Max. Continuous Current	60 Amps (at 20 degrees C)	40 Amps (at 20 degrees C)
	40 Amps (at 85 degrees C)	30 Amps (at 85 degrees C)
Minimum Load	0.1 A @ 12 VDC	

CONTACT DATA

Material	AgSnInO (Silver Tin Indium Oxide)	
Initial Contact Resistance	100 milliohms max @ 0.1A, 6VDC	
Service Life	Mechanical	1 X 10 ⁷ Operations
	Electrical	2 X 10 ⁵ Operations

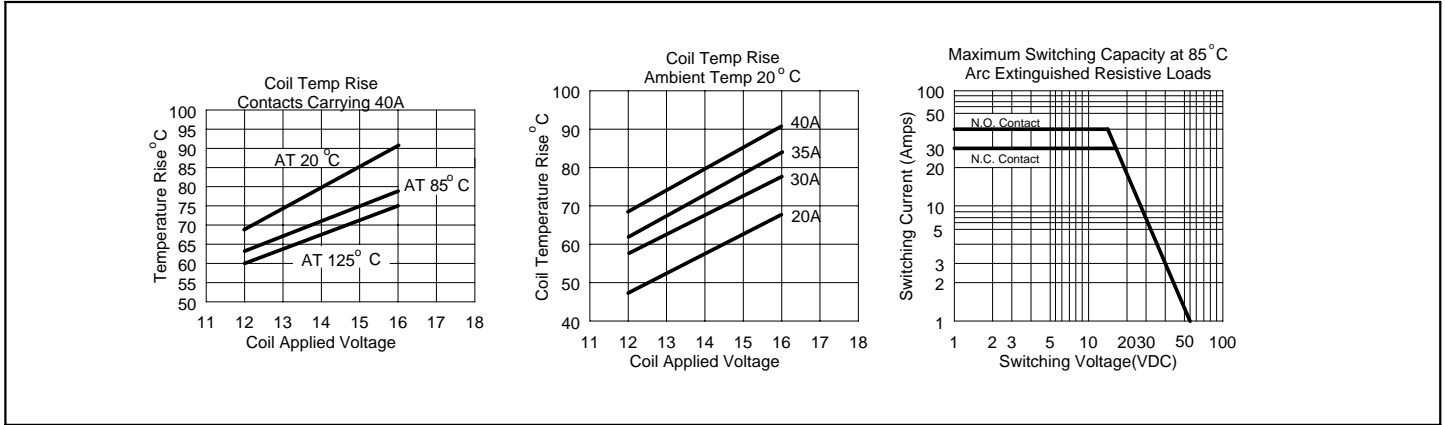
CHARACTERISTICS

Operate Time	7 ms. typical
Release Time	5 ms. typical
Insulation Resistance	100 megohms min, at 500VDC, 50%RH
Dielectric Strength	500 Vrms, 1 min. between coil and contacts
Shock Resistance	20 g, 11ms, functional; 200 g, destructive
Vibration Resistance	DA 1.27 mm, 10 - 40 Hz; 40-70 Hz: 5 g; DA 0.5mm, 70-100 Hz; 100-500 Hz: 10 g.
Drop Resistance	1 Meter height drop on concrete in final enclosure
Power Consumption	1.6 W approx.
Ambient Temperature Range	-40 to 85 degrees C operating, -40 to 125 degrees C for Class F
Weight	31 grams approx.

ORDERING INFORMATION

Example:	PC792A	-1C	-C1	-12	S	-RN
Model						
Contact Form	1A, 1C or 1U (1 form A with 2 #87 Terminals)					
Case Style	C: Plug-In; P: PCB; C1: Plastic Bracket; C2: Metal Bkt					
Coil Voltage						
Enclosure	C: Dust Cover, S: Sealed Case					
Parallel Component	Nil: None; D: Diode; R: Resistor; N: Nickle Plated Terminals					

REFERENCE CURVES



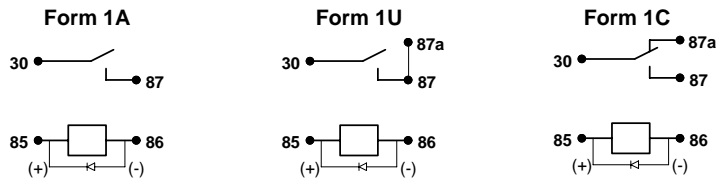
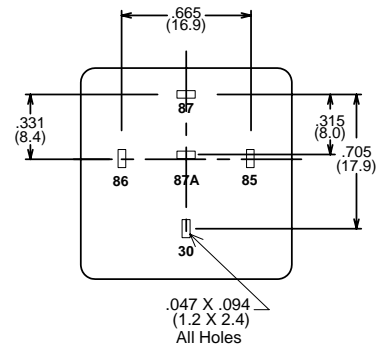
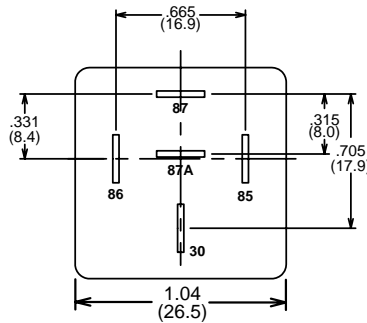
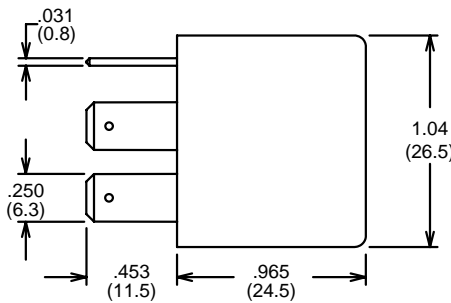
COIL DATA

Coil Voltage	Resistance ohms $\pm 10\%$	Must Operate Voltage Max. (VDC)	Must Release Voltage Min. (VDC)	Continuous Voltage Max. (VDC)
6	22	3.6	0.6	10.1
12	90	7.2	1.2	20.5
24	330	14.3	2.4	39.1

**Plug-In Type
Plug-In Case (C) and PCB Case (P)**

Dimensions in Inches (millimeters)

**Bottom View
PC Board Layout**



Wiring Diagrams

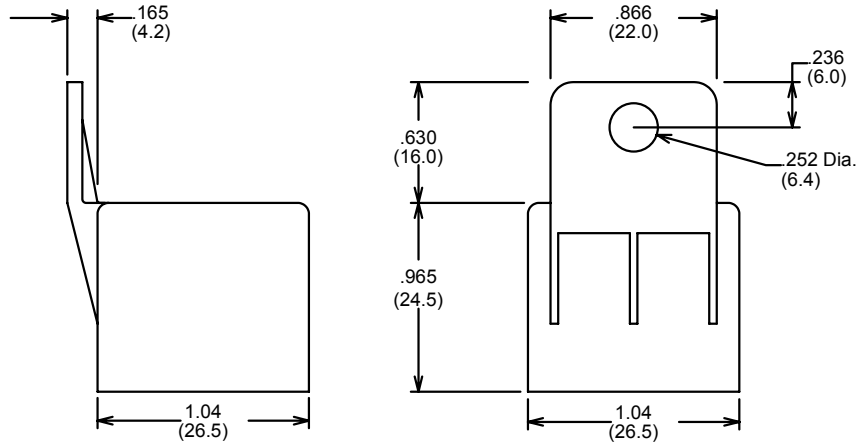
Notes:

Tolerances $\pm .010$ unless otherwise noted
 Maximum make current refers to inrush of a lamp load
 In 85 degree C ambient reduce maximum coil voltage to 72%

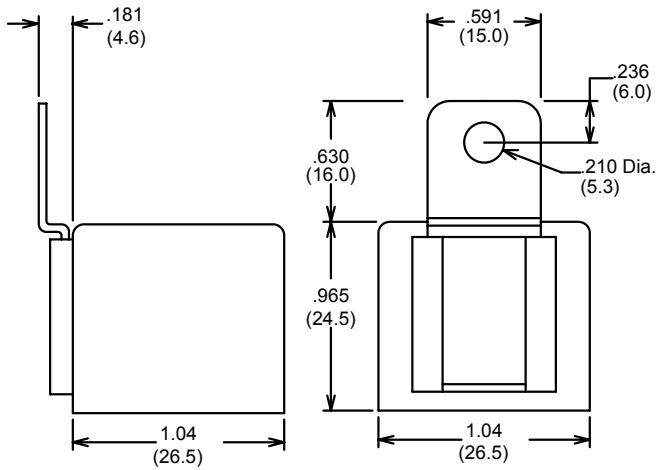


3220 Commander Drive, Suite 102, Carrollton, Texas 75006

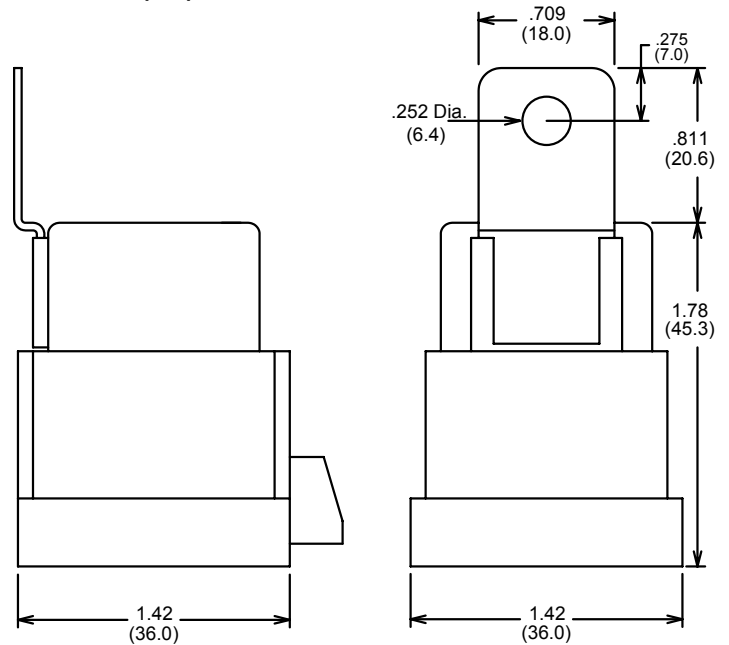
Sales: Call Toll Free (888) 997-3933 Fax (818) 342-5296 email: pickerwest@sbcglobal.net URL: pickercomponents.com



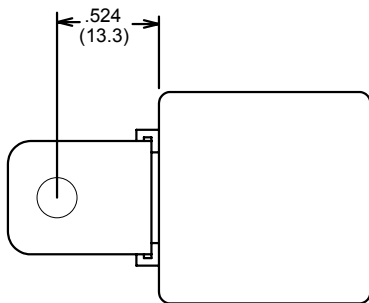
Molded Plastic Bracket (C1)



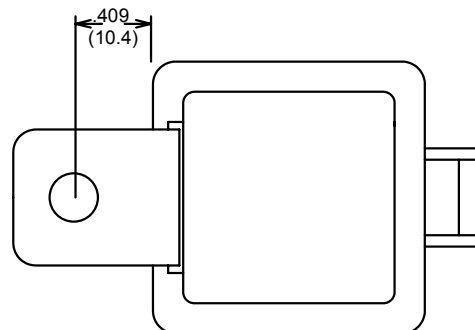
Metal Bracket (C2)



Skirted Case with Metal Bracket (C4)



Bent Metal Bracket (C3)



Skirted Case with Bent Metal Bracket (C5)



3220 Commander Drive, Suite 102, Carrollton, Texas 75006

Sales: Call Toll Free (888) 997-3933 Fax (818) 342-5296 email: pickerwest@sbcglobal.net URL: pickercomponents.com