



D-Sub Receptacle Right Angle Contact Solder Attachment For RG174, RG316, RG187, RG188

TECHNICAL DATA SHEET

PE4821

D-Sub Receptacle Right Angle Contact Solder Attachment For RG174, RG316, RG187, RG188

Configuration

Connector	D-Sub Receptacle
Connector Interface Type	RG174, RG316, RG187, RG188
Cable Attachment Method (Shield/Contact)	Solder/Solder
Body Style	Right Angle

Electrical Specifications

Impedance, Ohms	50
-----------------	----

Mechanical Specifications

Size

Length, in [mm]	0.755 [19.18]
Width/Dia., in [mm]	0.218 [5.54]
Height, in [mm]	0.6 [15.24]
Weight, lbs [g]	0.006 [2.72]

Connector

Type	D-Sub Receptacle
Contact Material and Plating	Gold
Outer Conductor Material and Plating	Brass, Gold
Body Material and Plating	Brass, Gold
Dielectric Type	PTFE

Compliance Certifications (visit www.Pasternack.com for current document)

Plotted and Other Data

Notes:	Values at 25 °C, sea level
--------	----------------------------

D-Sub Receptacle Right Angle Contact Solder Attachment For RG174, RG316, RG187, RG188 from Pasternack Enterprises has same day shipment for domestic and International orders. Our RF, microwave and fiber optic products maintain a 99% availability and are part of the broadest selection in the industry.

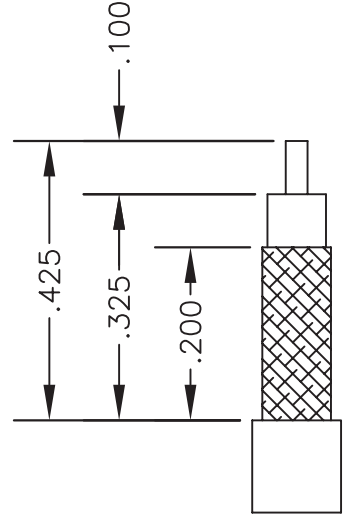
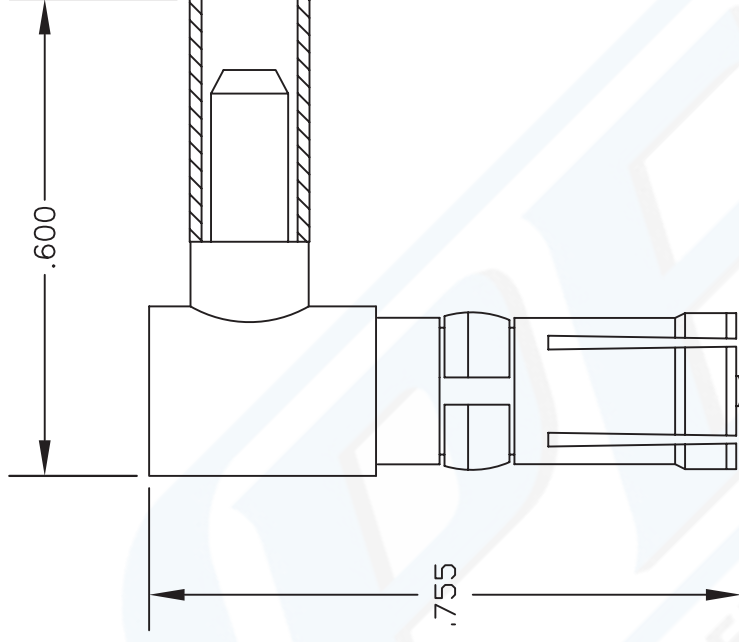
Click the following link (or enter part number in "SEARCH" on website) to obtain additional part information including price, inventory and certifications: [D-Sub Receptacle Right Angle Contact Solder Attachment For RG174, RG316, RG187, RG188 PE4821](http://www.pasternack.com/d-sub-receptacle-right-angle-contact-solder-attachment-for-rg174-rg316-rg187-rg188-connector-pe4821)

URL: <http://www.pasternack.com/d-sub-receptacle-standard-rg174-rg316-rg187-rg188-connector-pe4821-p.aspx>

The information contained in this document is accurate to the best of our knowledge and representative of the part described herein. It may be necessary to make modifications to the part and/or the documentation of the part, in order to implement improvements. Pasternack reserves the right to make such changes as required. Unless otherwise stated, all specifications are nominal.

MATERIALS

BODY	BRASS GOLD PLATED
CONTACT	GOLD PLATED
INSULATOR	PTFE



STRIPPING DIMENSIONS

ASSEMBLY PROCEDURES

1. STRIP CABLE AS SHOWN & SLIDE FERRULE OVER CABLE.
2. INSTALL CABLE INTO BODY OF CONNECTOR AND SOFT SOLDER CENTER CONDUCTOR IN PLACE.
3. SOLDER FERRULE & CAP IN PLACE.



PASTERMACK ENTERPRISES, INC.
 P O BOX 16759, IRVINE, CA 92623
 PHONE (949) 261-1920 FAX (949) 261-7451
 WEB ADDRESS: www.pasternack.com
 E-MAIL ADDRESS: sales@pasternack.com
COAXIAL & FIBER OPTICS

DWG TITLE

PE4821

DES.

D SUBMINIATURE RECEPTACLE, RIGHT ANGLE, SOLDER ATTACHMENT FOR RG174, RG187, RG188 & RG316

SIZE A

FSCM NO. 53919

CAD FILE

061002

SCALE

N/A

127

NOTES:

1. UNLESS OTHERWISE SPECIFIED ALL DIMENSIONS ARE NOMINAL.
2. ALL SPECIFICATIONS ARE SUBJECT TO CHANGE WITHOUT NOTICE AT ANY TIME.