

Rev	AWO #	Description	Date	Appr
-		RELEASED	1/06/11	

6

5

4

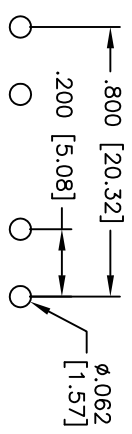
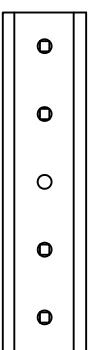
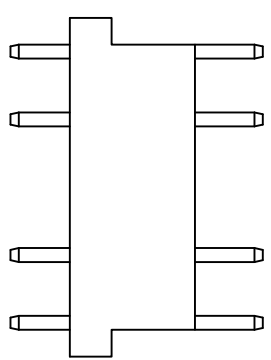
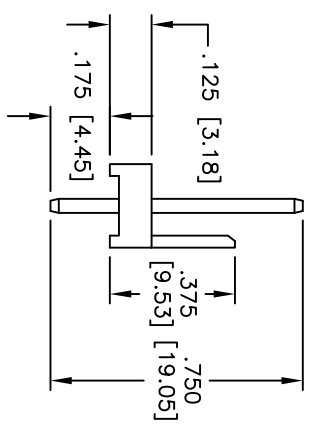
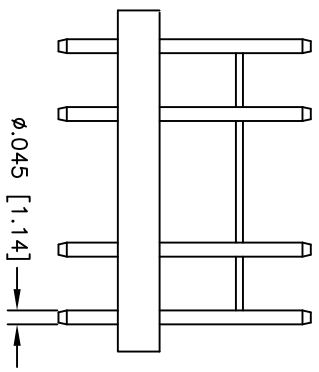
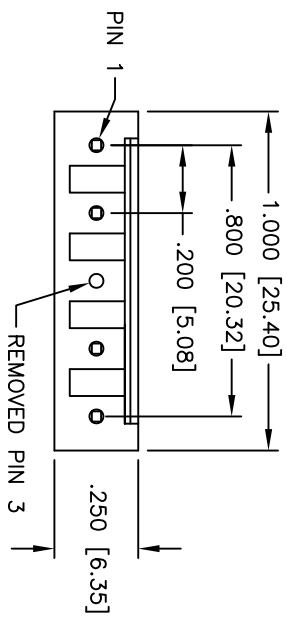
3

2

1

APPROVED: \_\_\_\_\_

DATE: \_\_\_\_\_ TITLE: \_\_\_\_\_



RECOMMENDED PCB LAYOUT

## SPECIFICATIONS:

Material: Nylon 66, rated UL 94V-2  
 Insulator color: Natural  
 Contacts: Brass  
 Plating: Tin over Nickel underplate overall  
 Electrical: Operating voltage: 250V AC/DC  
 Current rating: 3A AC/DC  
 Environmental: Lead free, RoHS compliant  
 Recommended soldering temp: 235°C for 5 seconds

A

B

C

D

A

B

C

D

6

5

4

3

2

1

**ADAM TECH**909 Rahway Avenue, Union, NJ 07083  
Phone: 908-687-5000 Fax: 908-687-5710TITLE: .200 [5.08] WIRE TO BOARD, STRAIGHT  
ROUND PINS

UNLESS OTHERWISE SPECIFIED ALL DIMENSIONS ARE INCHES [MM] TOLERANCES: EXCEPT AS NOTED INCHES		HOLE SIZE	
.X	± .10	ØXX	± .10
.XX	± .020	ØXXX	± .015
.XXX	± .015	ØXXXX	± .010
APPROVALS	DATE	DATE	DATE
DRAWN	DY	1/06/11	
CHECKED			
APPROVED			
SIZE	PART NO.	LHN-05-TS-RP-X03	REV.
REF: S00123T	SCALE: NTS	SHEET 1 OF 1	

