

5W4HCA WHITE LED SERIES

units in mm [inches]
tolerance ± 0.25 mm [0.01]

Features

- High intensity white LED lamp
- 5 mm round shape
- UV resistant epoxy

Applications

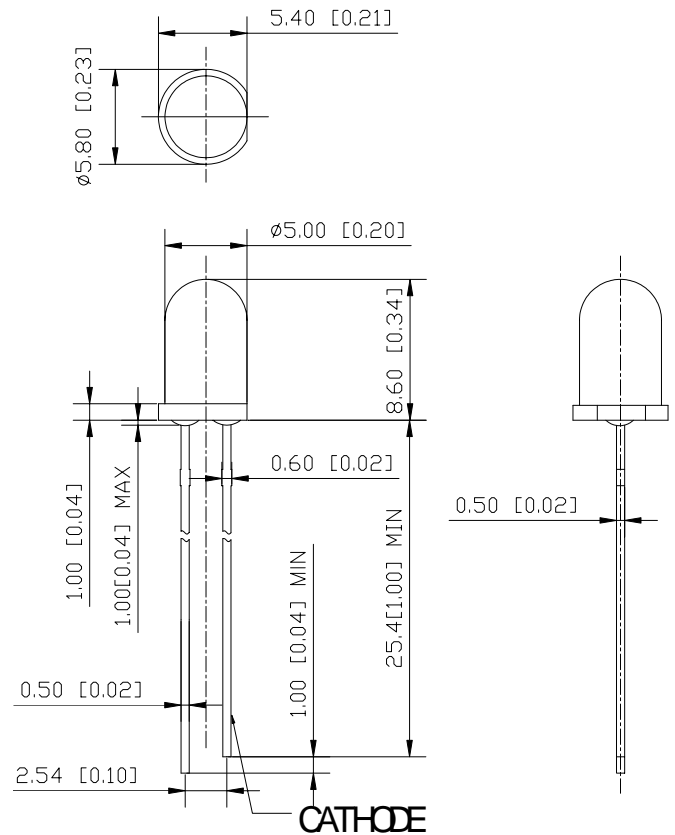
- Indicators
- Illumination

Absolute Maximum Ratings $T_a = 25^\circ\text{C}$

Parameter	Symbol	Max	Unit
Power Dissipation	P_D	100	mW
Peak Forward Current*	I_{FP}	80	mA
Continuous Forward Current	I_F	20	mA
Derating Linear From 50°C		0.4	mA/°C
Reverse Voltage	V_R	5	V
Operating Temperature Range	T_{opr}	-25°C to +80°C	
Storage Temperature Range	T_{stg}	-40°C to +100°C	
Lead Soldering Temperature **	T_{sol}	260	°C

* Duty ratio max 1/10 Pulse Width max. 0.1 ms

**At the position of 4 mm from the bottom of the package within 5 seconds



Electrical Optical Characteristics $T_a = 25^\circ\text{C}$ @ $I_f = 20$ mA

Part No.	Material	Lens	Emitting Color	Forward Voltage (v)		Luminous Intensity (mcd)		Chromaticity Coordinate (x/y)	Viewing Angle (2 θ 1/2)
				Typ	Max	Min	Max		
5W4HCA-P	InGaN	Water Clear	White	3.2	3.8	4.000	5.000	0.33/0.31	20
5W4HCA-H	InGaN	Water Clear	White	3.2	3.8	7.500	8.900	0.33/0.31	20
5W4HCA-U	InGaN	Water Clear	White	3.2	3.8	12.600	14.800	0.33/0.31	20

Caution in ESD

Static Electricity and surge damages the LEDs. It is recommended to use a wrist band or anti-electrostatic glove when handling the LEDs. All devices Equipment and machinery must be properly grounded.

When inspecting own final products on which LEDs were mounted, It is easy to find static-damaged LEDs by light emission test at lower current (below 1 mA is recommended) .

Damaged LEDs will show some unusual characteristics such as leak current remarkably increases, starting forward voltage becomes lower, or the LEDs get lighted at the low current.

ROITHNER LASERTECHNIK, Schoenbrunner Strasse 7, Vienna, Austria

Tel.: +43-1-586 52 43 – 0, Fax.: +43-1-586 52 43 44, office@roithner-laser.com, www.roithner-laser.com