

DRAWING NO SHEET MODEL NAME ISSUE  
 SPL10010 1 OF 3 ASS9987 1

**MARL 795 SERIES  
 LED MODULES**



**Marl International Limited**  
 Marl Business Park  
 Ulverston  
 Cumbria  
 LA12 9BN  
 t: +44 (0) 1229 582430  
 f: +44 (0) 1229 585155  
 e: sales@marl.co.uk  
 w: www.leds.co.uk

ISSUE	MODIFICATION	DRN	DATE
1	ORIGINAL ISSUE	RW	04/01/2016

**OVERVIEW**

THE MARL 795 SERIES OFFERS AN EXTREMELY COMPETITIVE REPLACEMENT TO TRADITIONAL HID AND SODIUM-DISCHARGE LAMPS WITH AN INNOVATIVE MODULAR APPROACH TO FLOODLIGHTING AND HIGHBAY LIGHTING SCHEMES.

THE MODULES CAN BE GROUPED AS A LUMINAIRE IN SINGLE, DOUBLE OR TRIPLE CONFIGURATIONS AND CAN BE INDIVIDUALLY ANGLE ADJUSTED TO GIVE THE DESIRED PHOTOMETRIC PERFORMANCE WHERE THE LIGHT IS NEEDED. WITH A 30° FWHM BEAM THE MODULES CAN BE MOUNTED AT HEIGHTS GREATER THAN 10M WITH SUPERB LIGHT DISTRIBUTION, COLOUR RENDERING AND PURE WHITE LIGHT.

UTILISING MULTI-FIN TECHNOLOGY FOR EXCEPTIONAL THERMAL MANAGEMENT, EXTREME HIGH POWER (XHP) CREE LEDS, HIGH EFFICIENCY OPTICS AND PSU ENABLES UNRIVALLED LUMEN PERFORMANCE, RELIABILITY AND LOW LUMEN DEPRECIATION.

THE ULTRA-LONG LIFE POWER SUPPLY IS MOUNTED ON THE EXTERNAL BRACKETRY IN FREE-AIR TO MAXIMISE HEAT DISSIPATION AND LONG TERM RELIABILITY - GREATER THAN 4 TIMES THAT OF A CONVENTIONAL SODIUM DISCHARGE LAMP.

**ELECTRICAL**

POWER CONSUMPTION: SEE TABLE  
 INPUT VOLTAGE: 90-305VAC  
 FREQUENCY: 47-63Hz  
 POWER FACTOR: >0.98/115VAC, >0.95/230VAC, >0.94/277VAC  
 INRUSH CURRENT MAX: COLD START 70A/230VAC  
 PROTECTION: OVER VOLTAGE / CURRENT / TEMPERATURE & S/C  
 AMBIENT OPERATING TEMPERATURE: -40°C TO +50°C  
 STORAGE TEMPERATURE: -40°C TO +80°C  
 COMPLIANCE TO WORLDWIDE SAFETY REGULATIONS FOR LIGHTING

**OPTICAL**

VIEWING ANGLE: 30° FWHM (FULL WIDTH AT HALF MAX) PER MODULE  
 COLOUR TEMP: 5000K  
 CRI: >80  
 LED: CREE XHP-50 (EXTREME HIGH POWER) X8 PER MODULE

**MECHANICAL**

IP RATING: IP66  
 GLASS: TEMPERED  
 HEATSINK MATERIAL: AL6063 +AL1050  
 BRACKET MATERIAL: SUS201  
 FIXINGS: STAINLESS STEEL  
 FINISH: BLACK ANODISED / BLACK PAINT  
 WEIGHT: 5KG / 8.8KG / 14 KG  
 CABLE SPEC: SJTW 18AWG X3C

**FIXING**

REAR BRACKETRY ALLOWS FOR MULTIPLE FIXING POINTS.  
 \*USE SAFETY CHAIN WHERE REQUIRED  
 SEE SHEET 3 OF 3  
 WALL, POLE OR CHAIN MOUNTING POSSIBLE.



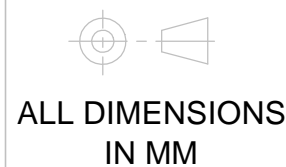
**FEATURES**

- CREE XHP-50 LEDS
- HIGH CRI (MIN 80)
- HIGH FLUX DENSITY
- PURE WHITE LIGHT
- MULTI-FIN COOLING
- LONG LIFE >70,000 HRS
- IP66 INGRESS PROTECTION
- MODULAR APPROACH
- ANGLE ADJUSTABLE
- FLEXIBLE MOUNTING
- REDUCED ENERGY
- REDUCED MAINTENANCE
- MINIMAL GLARE
- IMPROVED SAFETY
- VISUAL PERFORMANCE
- 100% RECYCLABLE

MARL PART N°	CONFIGURATION	LUMINOUS FLUX (LUMENS)	POWER CONSUMPTION (WATTS)
795-107-00-51	SINGLE	8,100	95
795-107-00-52	TWIN	15,700	175
795-107-00-53	TRIPLE	26,500	305



TOLERANCE/ SCALE UOS  
 LINEAR ±0.1  
 ANGULAR ±1°  
 ORIGINAL SCALE 1:1



DRN: RW  
 DATE: 04/01/16  
 CHK1: GR  
 CHK2: MH

15/01/16  
**NON-MAINTAINED COPY**

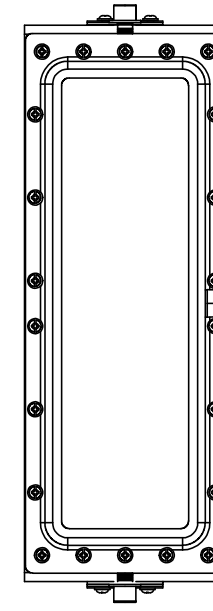
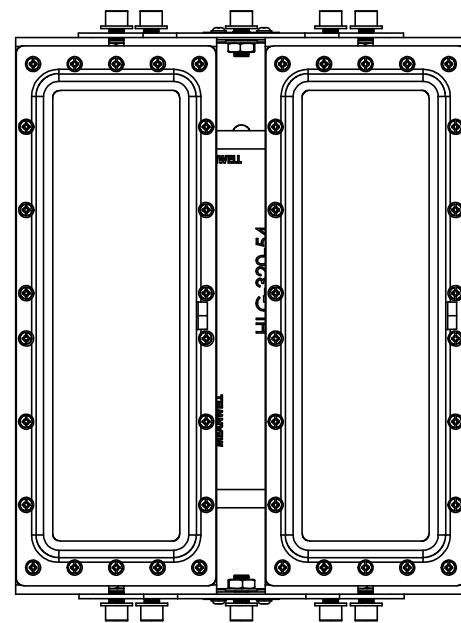
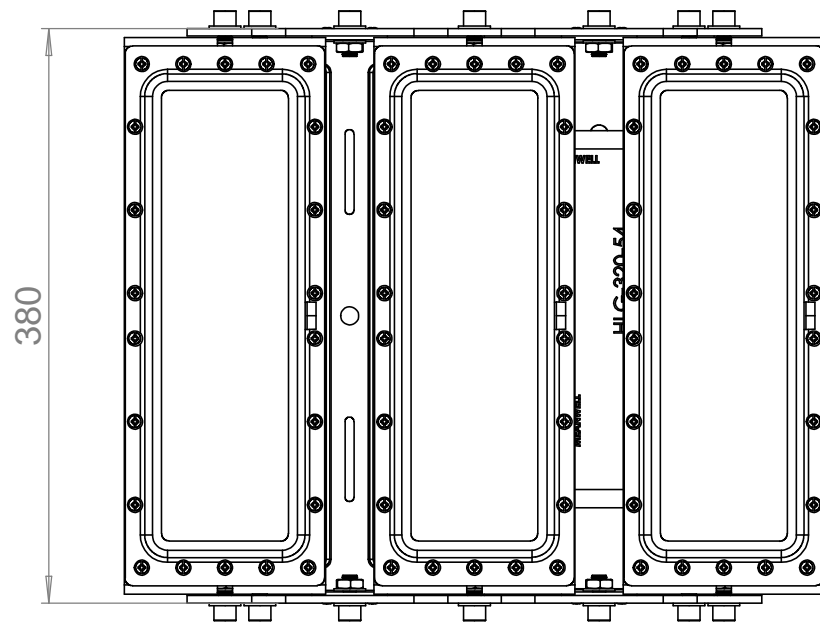
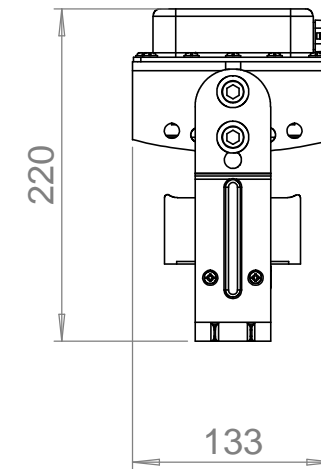
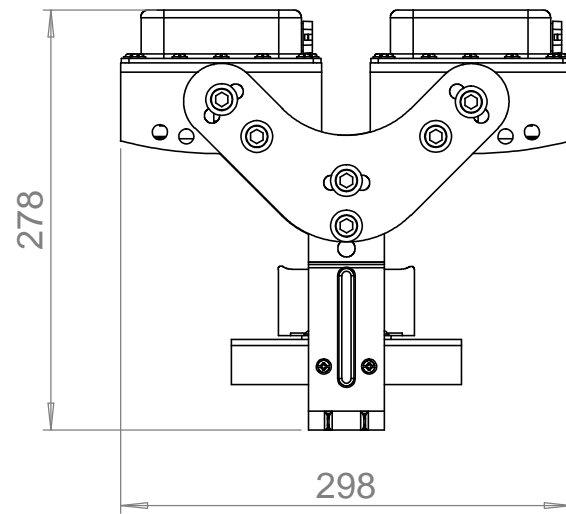
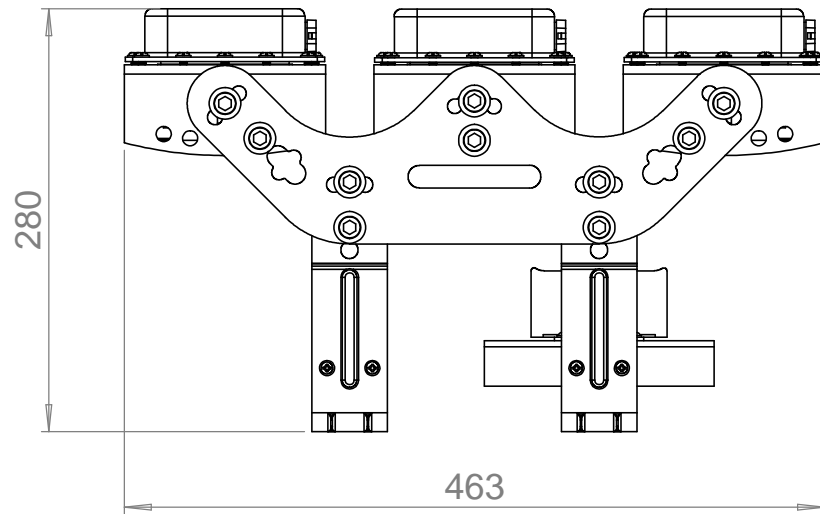
DRAWING NO SHEET MODEL NAME ISSUE  
 SPL10010 2 OF 3 ASS9987 1

**MARL 795 SERIES  
 LED MODULES**



**Marl International Limited**  
 Marl Business Park  
 Ulverston  
 Cumbria  
 LA12 9BN  
 t: +44 (0) 1229 582430  
 f: +44 (0) 1229 585155  
 e: sales@marl.co.uk  
 w: www.leds.co.uk

ISSUE	MODIFICATION	DRN	DATE
1	ORIGINAL ISSUE	RW	04/01/2016



**FEATURES**

- CREE XHP-50 LEDS
- HIGH CRI (MIN 80)
- HIGH FLUX DENSITY
- PURE WHITE LIGHT
- MULTI-FIN COOLING
- LONG LIFE >70,000 HRS
- IP66 INGRESS PROTECTION
- MODULAR APPROACH
- ANGLE ADJUSTABLE
- FLEXIBLE MOUNTING
- REDUCED ENERGY
- REDUCED MAINTENANCE
- MINIMAL GLARE
- IMPROVED SAFETY
- VISUAL PERFORMANCE
- 100% RECYCLABLE



TOLERANCE/ SCALE UOS  
 LINEAR ±0.1  
 ANGULAR ±1°  
 ORIGINAL SCALE 1:1

ALL DIMENSIONS  
 IN MM

DRN: RW  
 DATE:04/01/16  
 CHK1:GR  
 CHK2:MH

15/01/15  
**NON-MAINTAINED  
 COPY**

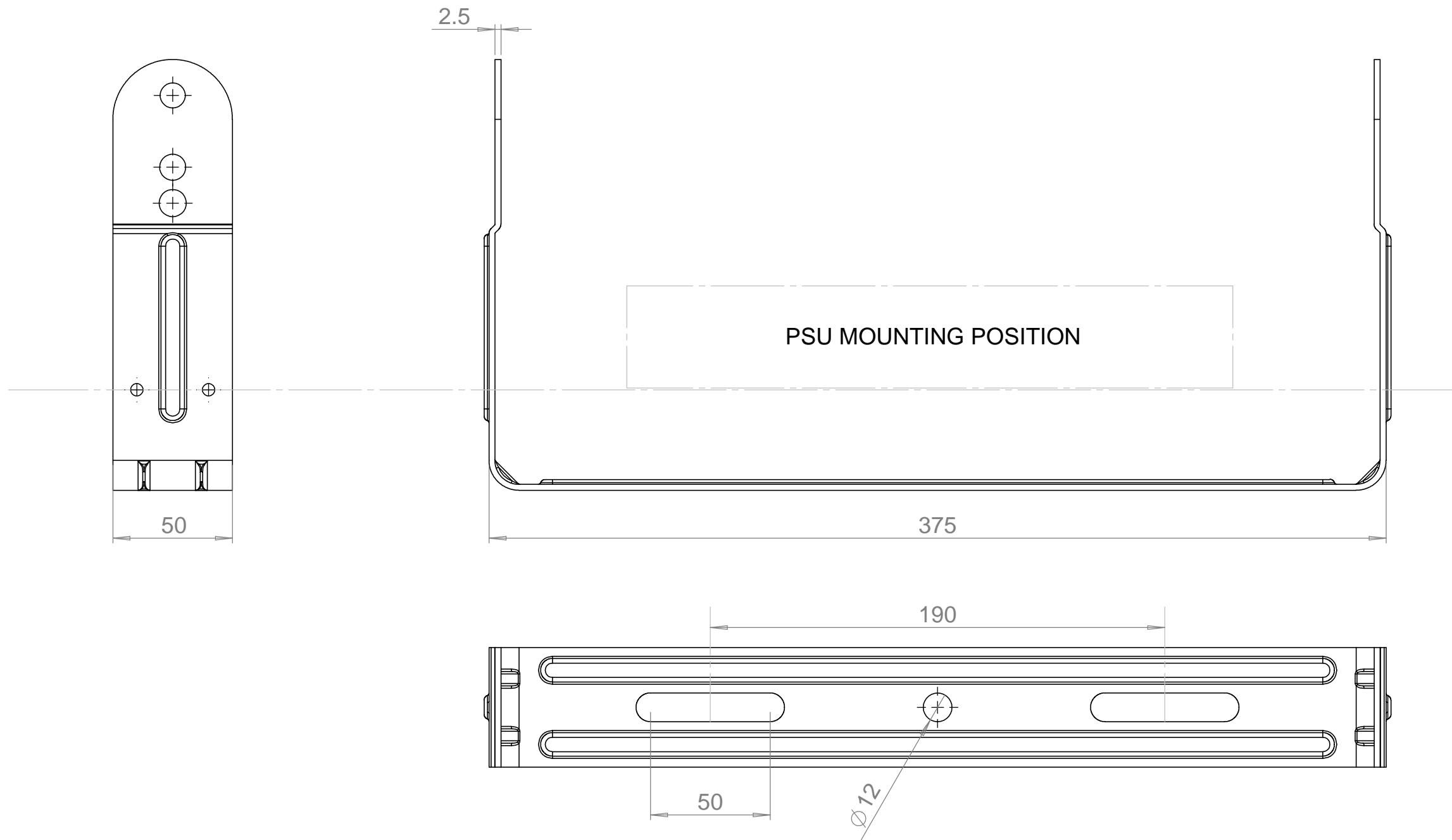
DRAWING NO SHEET MODEL NAME ISSUE  
 SPL10010 3 OF 3 ASS9987 1

**MARL 795 SERIES  
 LED MODULES**



**Marl International Limited**  
 Marl Business Park  
 Ulverston  
 Cumbria  
 LA12 9BN  
 t: +44 (0) 1229 582430  
 f: +44 (0) 1229 585155  
 e: sales@marl.co.uk  
 w: www.leds.co.uk

ISSUE	MODIFICATION	DRN	DATE
1	ORIGINAL ISSUE	RW	04/01/2016



**FEATURES**

- CREE XHP-50 LEDs
- HIGH CRI (MIN 80)
- HIGH FLUX DENSITY
- PURE WHITE LIGHT
- MULTI-FIN COOLING
- LONG LIFE >70,000 HRS
- IP66 INGRESS PROTECTION
- MODULAR APPROACH
- ANGLE ADJUSTABLE
- FLEXIBLE MOUNTING
- REDUCED ENERGY
- REDUCED MAINTENANCE
- MINIMAL GLARE
- IMPROVED SAFETY
- VISUAL PERFORMANCE
- 100% RECYCLABLE



TOLERANCE/ SCALE UOS  
 LINEAR  $\pm 0.1$   
 ANGULAR  $\pm 1^\circ$   
 ORIGINAL SCALE 1:1

ALL DIMENSIONS  
 IN MM

DRN: RW  
 DATE: 04/01/16  
 CHK1: GR  
 CHK2: MH

15/01/16  
**NON-MAINTAINED  
 COPY**