

7.0 x 5.0 x 1.4mm HCMOS/ TTL COMPATIBLE SURFACE MOUNT LOW PROFILE (1.4max) CRYSTAL CLOCK OSCILLATOR



7.0 x 5.0 x 1.4mm

ASV2 SERIES



RoHS
Compliant

FEATURES:

- 1.4 mm max. in height
- HCMOS and TTL compatible, 1.8V to 3.3VDC
- Tristate Enable / Disable function
- Reflow capable
- Available optional -40°C to 85°C extended temperature
- Seam sealed package

APPLICATIONS:

- Clock signaling for μ Processors, PC Motherboards & Graphic Cards
- High load output drive capability applications

STANDARD SPECIFICATIONS:

PARAMETERS

ABRACON P/N	ASV2 Series
Frequency Range	0.012 MHz to 133.000 MHz
Operating Temperature	-10° C to + 70° C (see options)
Storage Temperature	- 55° C to + 125° C
Overall Frequency Stability	\pm 100 ppm max. (see options)
Supply Voltage (Vdd)	3.3 Vdc \pm 10% (see options)
Input Current	See Table 1
Symmetry	40/60 % max.@ 1/2Vdd (see options)
Rise time / Fall time (Tr/Tf)	See Table 2
Output Load	15pF (5TTL) (see options)
Output Voltage	VOH = 0.9 * Vdd min. (90% of Vdd) VOL = 0.4 Vdc max. (10% of Vdd)
Start-up Time	8ms max.
Tristate Function	"1" (VIH: see table 3) or open: Oscillation "0" (VIL: see table 3): Hi Z
Aging at 25°C/year	\pm 5ppm max.
Absolute Clock Period Jitter	\pm 40ps max.
Disable Current	10 μ A max.

TABLE 1

Frequency	3.3Vdd	2.5Vdd	1.8Vdd
0.012MHz Fo < 0.048MHz	5	5	N/A
0.048MHz Fo < 1.5MHz	5	5	5
1.5MHz Fo < 20MHz	7	7	5
20MHz Fo < 50MHz	20	15	15
50MHz Fo < 70MHz	30	20	15
70MHz Fo < 125MHz	30	20	20
125MHz Fo 133MHz	40	30	N/A

Unit: (mA max)

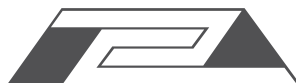
TABLE 2

Frequency	3.3Vdd	2.5Vdd	1.8Vdd
0.012MHz Fo < 1.0MHz	200	200	N/A
1.0MHz Fo < 20MHz	10	10	10
20MHz Fo < 50MHz	6	6	6
50MHz Fo < 70MHz	3	3	3
70MHz Fo < 125MHz	3	3	3
125MHz Fo 133MHz	3	3	N/A

Tr times are measured between 10% & 90% of Vdd with 15pF load.

TABLE 3

Vdd	VIH	VIL
1.8	1.26	0.5
2.5	1.75	0.5
3.3	2	0.5



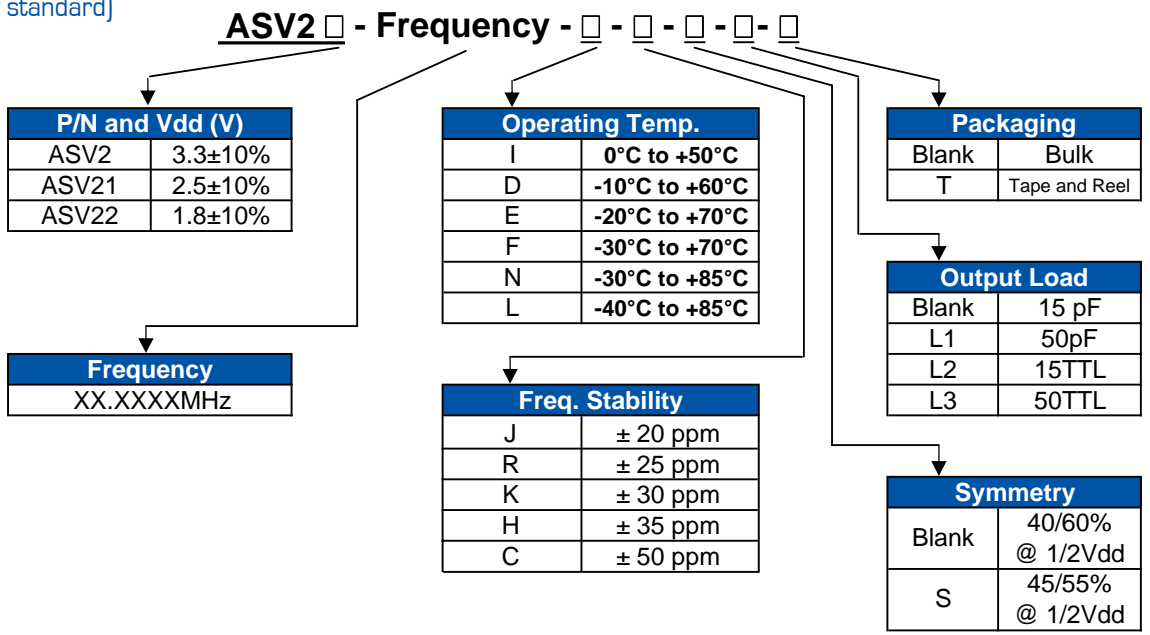


ASV2 SERIES

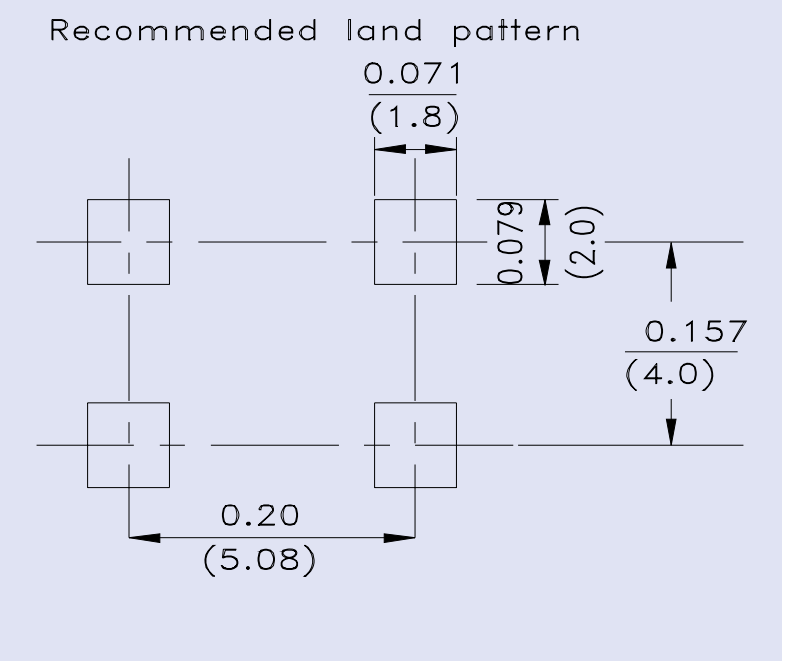
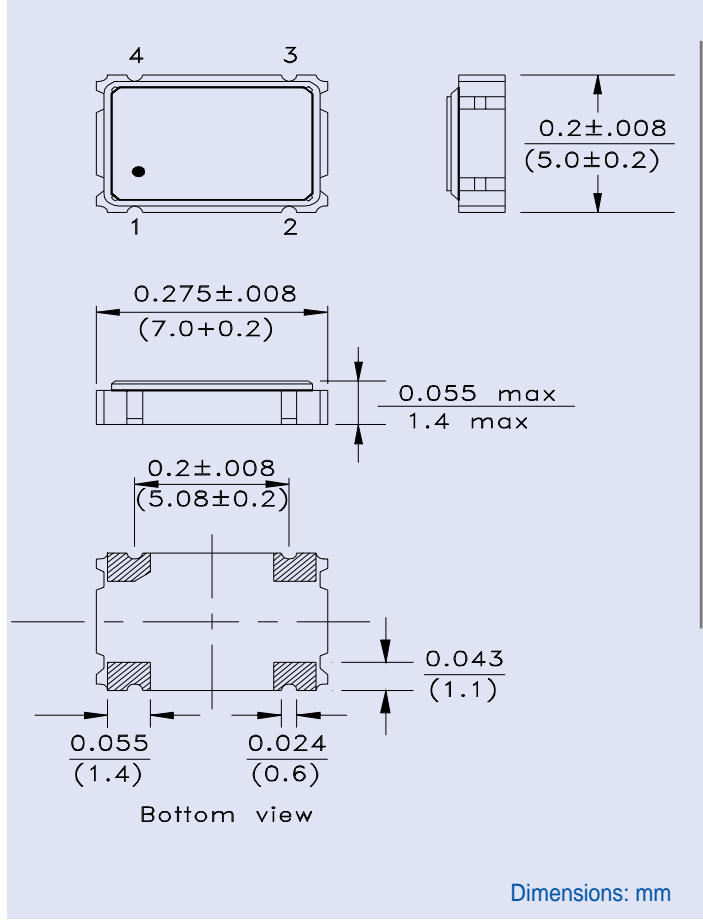


OPTIONS & PART IDENTIFICATION:

(Left blank if standard)

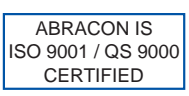


OUTLINE DRAWING:



PIN	FUNCTION
1	Tristate Enable/Disable
2	GND/Case
3	Output
4	Vdd

Note: It is recommended to use an approximately 0.01uF bypass capacitor between PIN 2 and 4.



7.0 x 5.0 x 1.4mm HCMOS/ TTL COMPATIBLE SURFACE MOUNT LOW PROFILE (1.4max) CRYSTAL CLOCK OSCILLATOR



ASV2

7.0 x 5.0 x 1.4mm



RoHS
Compliant

ASV2 SERIES

➤ **TAPE & REEL:** Tape and reel 1,000pcs/reel

