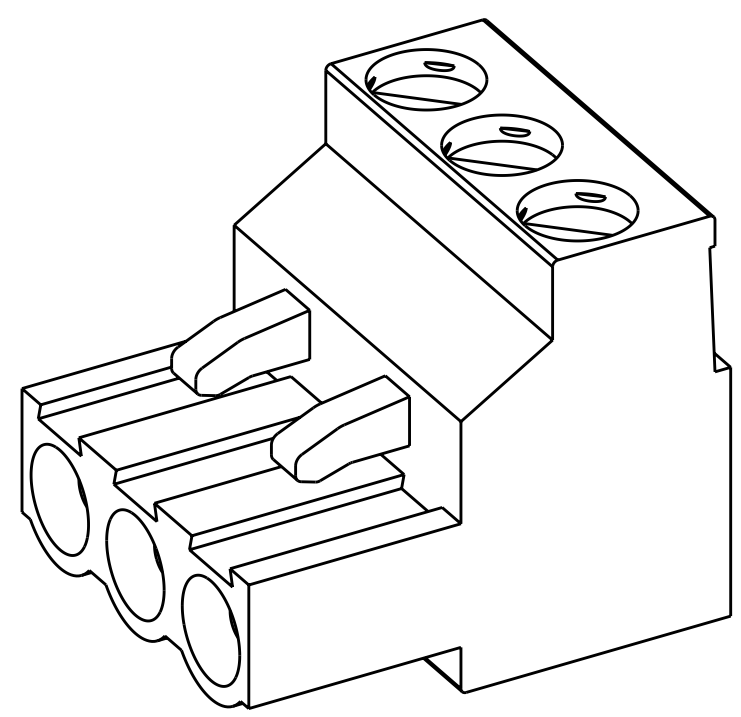
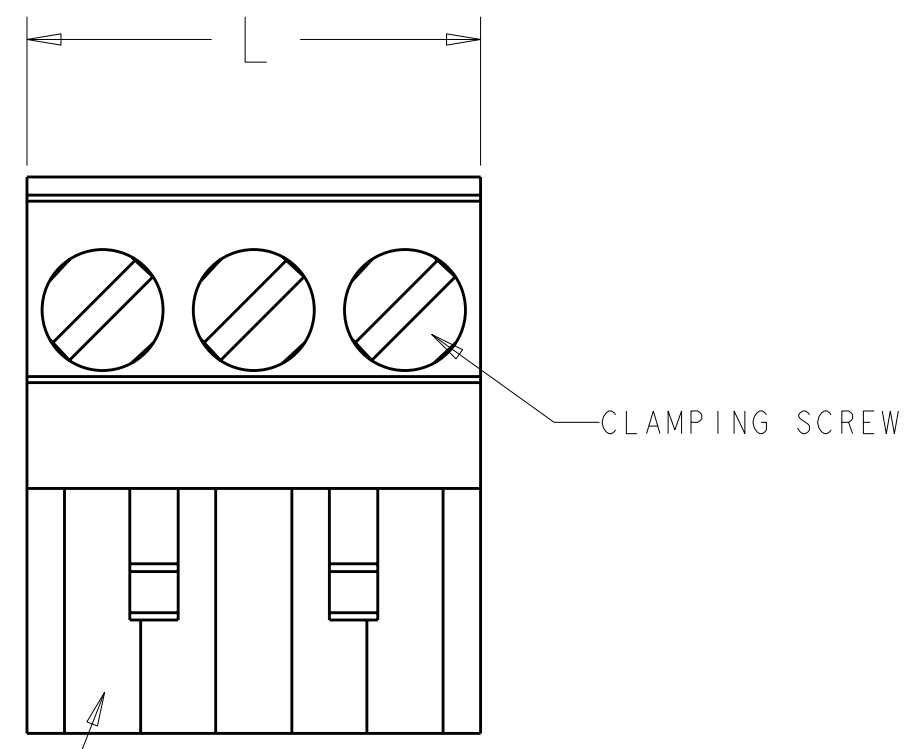
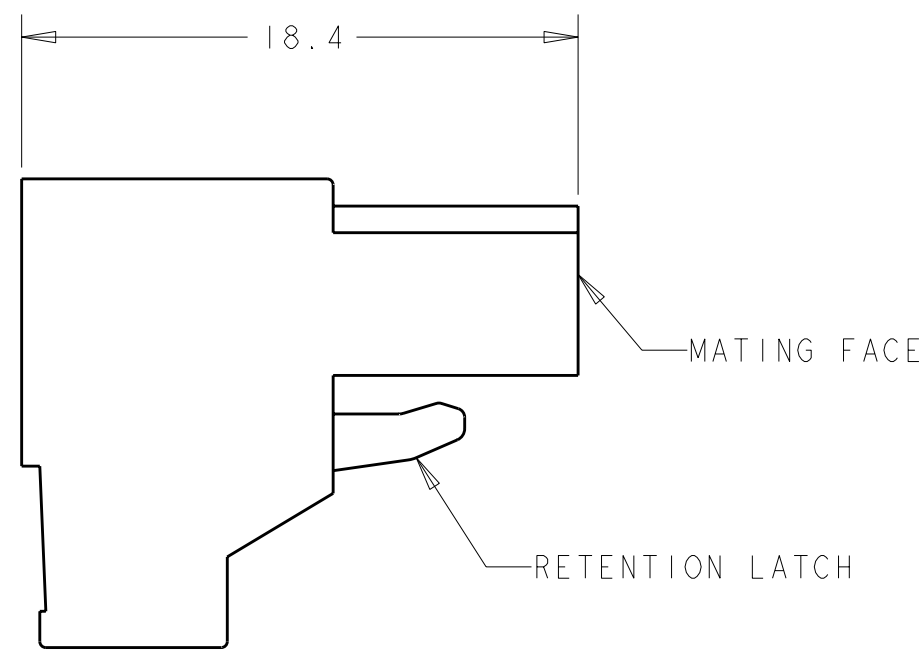
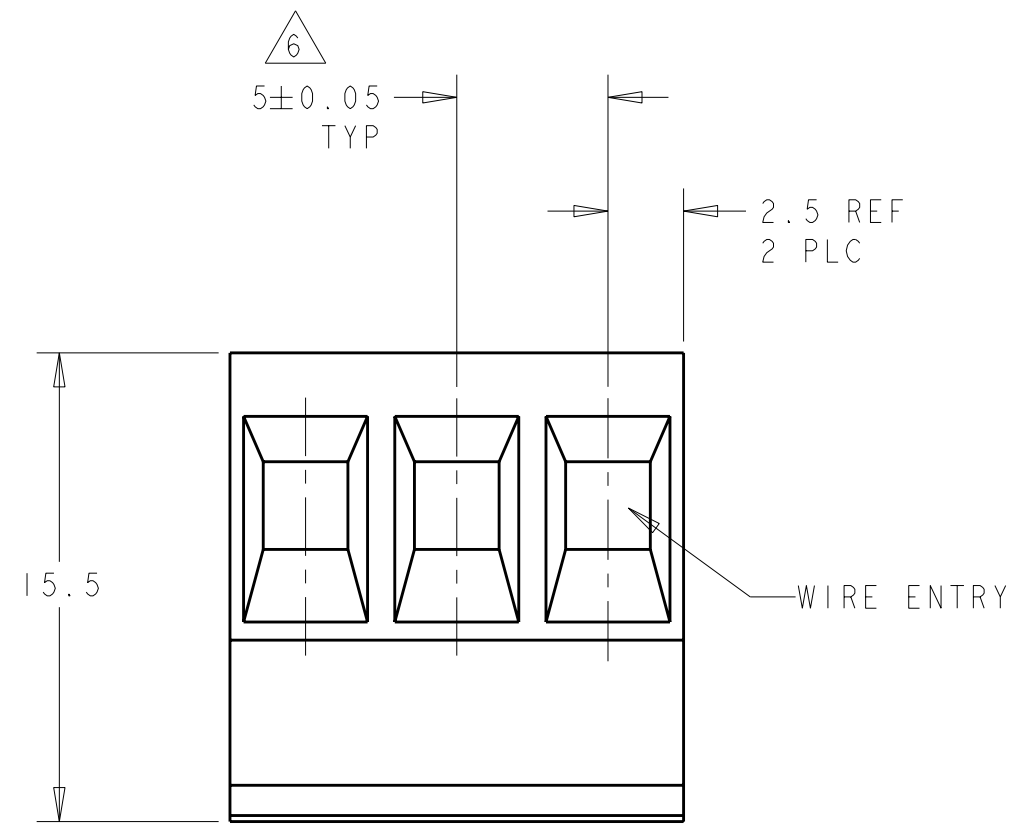


THIS DRAWING IS UNPUBLISHED. RELEASED FOR PUBLICATION 20  
 © COPYRIGHT 20 BY TYCO ELECTRONICS CORPORATION. ALL RIGHTS RESERVED.

LOC		DIST		REVISIONS			
P	LTR	DESCRIPTION		DATE	DWN	APVD	
	F7	REVISED PER ECO-09-016429		29JUL2009	SS	CR	



796640-3 AS SHOWN

MARKING	PLATING	MARKING	SPECIAL	L	NO OF POSN	PART NUMBER
MARK 4 TO 1	TIN	7 9		20.00	4	5-796640-4
MARK 3 TO 1	TIN	7 9		15.00	3	5-796640-3
MARK 1 TO 3	TIN	7 9		15.00	3	5-796640-2
MARK 1 TO 3	TIN	7 9		15.00	3	5-796640-1
MARK 1 TO 4	TIN	7 9		20.00	4	5-796640-0
MARK 15 TO 28	TIN	7 9		70.00	14	4-796640-9
MARK 13 TO 24	TIN	7 9		60.00	12	4-796640-8
MARK 1 TO 14	TIN	7 9		70.00	14	4-796640-7
MARK 1 TO 12	TIN	8 9		60.00	12	4-796640-6
MARK 1 TO 7	TIN	8 9		35.00	7	4-796640-5
MARK 1 TO 5	TIN	8 9		25.00	5	4-796640-4
MARK 11 TO 15	TIN	8 9		25.00	5	4-796640-3
DETAIL S	TIN	-		35.00	7	4-796640-2
MARK 1 TO 3	TIN	7 9		15.00	3	4-796640-1
DETAIL P	TIN	-		20.00	4	4-796640-0
MARK 1 TO 8	TIN	7 9		20.00	4	3-796640-9
MARK 37 TO 54	TIN	7 9		40.00	8	3-796640-8
MARK 19 TO 36	TIN	7 9		90.00	18	3-796640-7
MARK 1 TO 18	TIN	7 9		90.00	18	3-796640-6
MARK 1 TO 18	TIN	8 9		90.00	18	3-796640-5
MARK 1 TO 10	TIN	8 9		50.00	10	3-796640-4
MARK 1 TO 8	TIN	8 9		40.00	8	3-796640-3
DETAIL N	TIN	7		30.00	6	3-796640-0
MARK 1 TO 6	TIN	7 9		30.00	6	2-796640-9
-	TIN	-		125.00	25	2-796640-5
-	TIN	-		120.00	24	2-796640-4
-	TIN	-		115.00	23	2-796640-3
-	TIN	-		110.00	22	2-796640-2
-	TIN	-		105.00	21	2-796640-1
-	TIN	-		100.00	20	2-796640-0
-	TIN	-		95.00	19	1-796640-9
-	TIN	-		90.00	18	1-796640-8
-	TIN	-		85.00	17	1-796640-7
-	TIN	-		80.00	16	1-796640-6
-	TIN	-		75.00	15	1-796640-5
-	TIN	-		70.00	14	1-796640-4
-	TIN	-		65.00	13	1-796640-3
-	TIN	-		60.00	12	1-796640-2
-	TIN	-		55.00	11	1-796640-1
-	TIN	-		50.00	10	1-796640-0
-	TIN	-		45.00	9	796640-9
-	TIN	-		40.00	8	796640-8
-	TIN	-		35.00	7	796640-7
-	TIN	-		30.00	6	796640-6
-	TIN	-		25.00	5	796640-5
-	TIN	-		20.00	4	796640-4
-	TIN	-		15.00	3	796640-3
-	TIN	-		10.00	2	796640-2

THIS DRAWING IS A CONTROLLED DOCUMENT FOR TYCO ELECTRONICS CORPORATION. IT IS SUBJECT TO CHANGE AND THE CONTROLLING ENGINEERING ORGANIZATION SHOULD BE CONTACTED FOR THE LATEST REVISION.

DWN: S. WELDON 18OCT2000  
 CHK: D. BIEVENOUR 18OCT2000  
 APVD: D. BIEVENOUR 18OCT2000

Tyco Electronics  
 Harrisburg, PA 17105-3608

NAME: TERMINAL BLOCK, PLUG, STACKING  
 5.00mm PITCH

SIZE: A2 CAGE CODE: 00779 DRAWING NO: 796640 RESTRICTED TO: -

MATERIAL: FINISH:

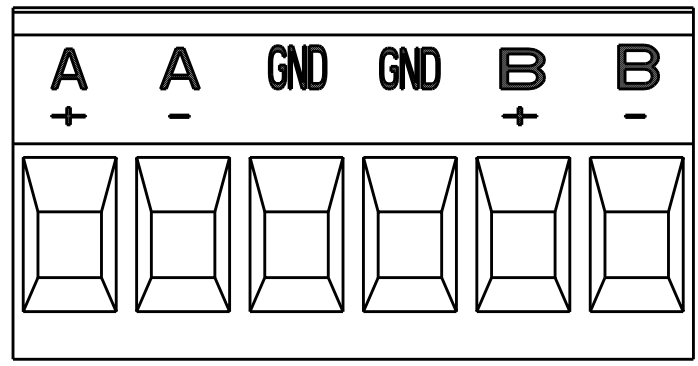
TOLERANCES UNLESS OTHERWISE SPECIFIED:  
 0 PLC ±  
 1 PLC ±0.3  
 2 PLC ±0.25  
 3 PLC ±  
 4 PLC ±  
 ANGLES ±2

APPLICATION SPEC: -  
 WEIGHT: -

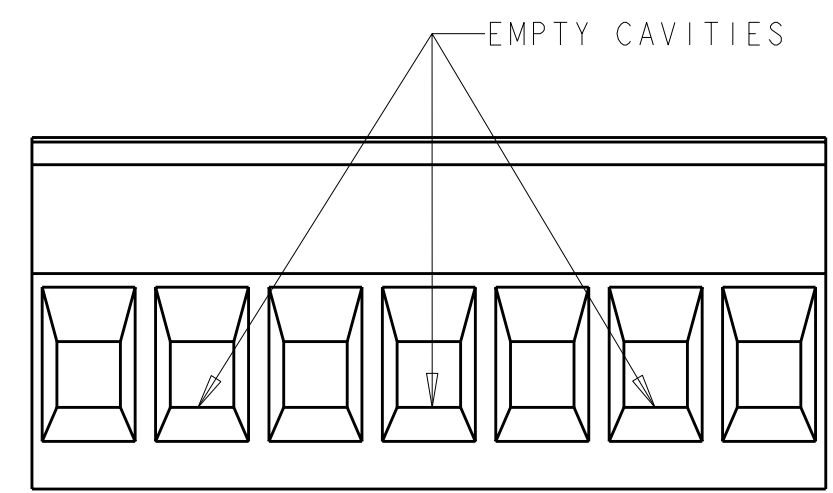
CUSTOMER DRAWING SCALE: 4:1 SHEET 1 OF 2 REV: F7

THIS DRAWING IS UNPUBLISHED. RELEASED FOR PUBLICATION 20  
 © COPYRIGHT 20 BY TYCO ELECTRONICS CORPORATION. ALL RIGHTS RESERVED.

LOC		DIST		REVISIONS			
P	LTR	DESCRIPTION	DATE	DWN	APVD		
-	-	SEE SHEET 1	-	-	-		



DETAIL N



DETAIL S

- 1 MATERIALS AND FINISH:  
 HOUSING: PA 6-6, UL 94-V0, COLOR: GREEN.  
 CLAMP: BRASS, NICKEL PLATED.  
 DOUBLE SIDE CONTACT SPRING: PHOSPHOR BRONZE, PLATING: SEE TABLE.  
 CLAMPING SCREW: M3, BRASS, NICKEL PLATED.

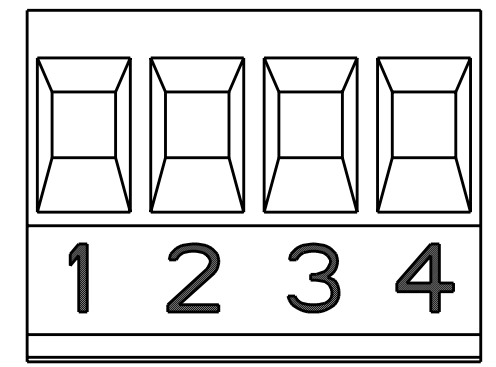
- 2. END-TO-END STACKABLE WITHOUT LOSS OF CENTERLINE SPACING.
- 3. WIRE SIZE RANGE: 12-30 AWG.
- 4. RECOGNIZED UNDER THE COMPONENT PROGRAM OF UNDERWRITERS LABORATORIES INC. FILE N° E60677.
- 5. IMQ CERTIFICATE WITH SURVEILLANCE IN CONFORMITY WITH IEC 998-1/998-2-1.

- 6 NOT CUMULATIVE TOLERANCE
- 7 INK MARKING: BLACK COLOR.
- 8 INK MARKING: WHITE COLOR.
- 9 NUMERICAL SEQUENCE: FROM LEFT TO RIGHT, WIRE ENTRY SIDE.
- 10 RETENTION LATCHES REMOVED

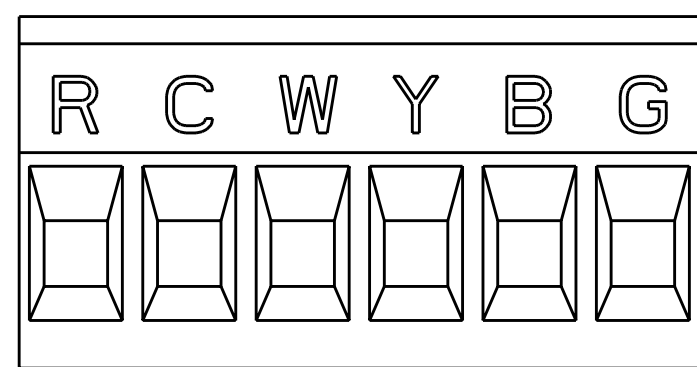
- 11. BUCHANAN LOGO TO APPEAR ON HOUSING, LOCATION OPTIONAL WHERE SPACE PERMITS.

- 12 WIRE ENTRY CLOSED.
- 13 PRELIMINARY - NOT FOR PRODUCTION.

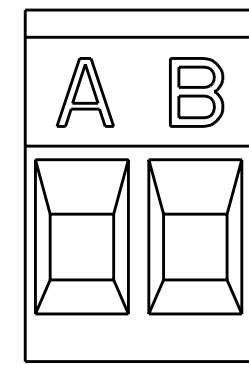
- 14 NUMERICAL SEQUENCE: FROM RIGHT TO LEFT, WIRE ENTRY SIDE.



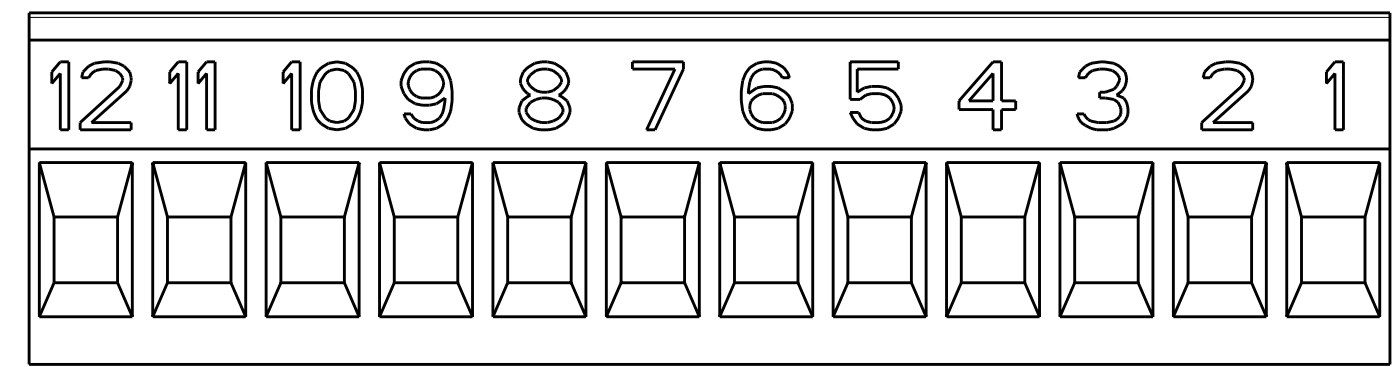
DETAIL P



DETAIL T

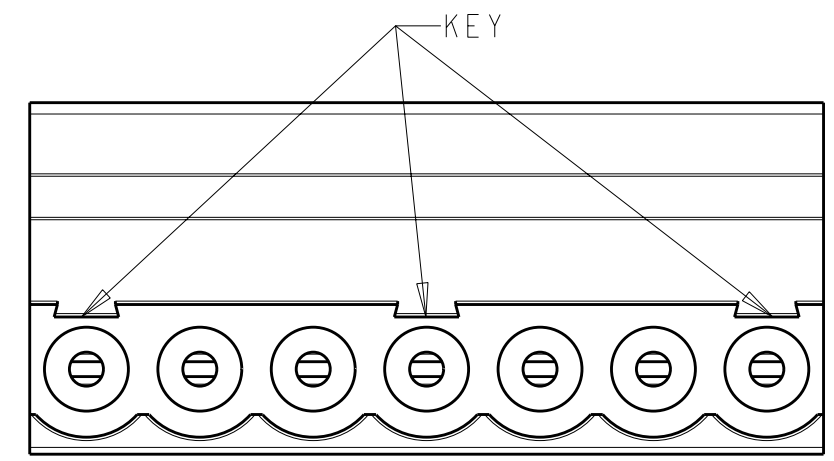


DETAIL U

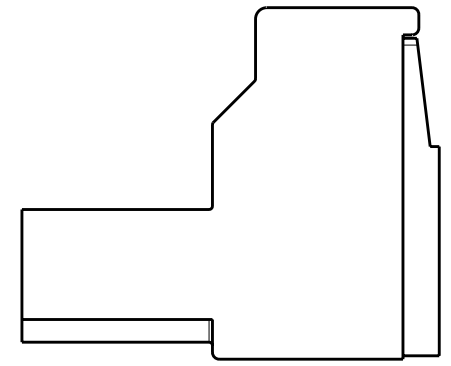


DETAIL V

13	TIN	-	DETAIL W, NO LATCH KEY POSN 1,4,7	35.00	7	6-796640-1
13	TIN	7 14	DETAIL V	60.00	12	6-796640-0
13	GOLD FLASH	-	-	35.00	7	5-796640-9
	TIN	7	DETAIL U	10.00	2	5-796640-8
	TIN	7	DETAIL T	30.00	6	5-796640-7
13	TIN	7 9	MARK 13 TO 24	60.00	12	5-796640-6
13	TIN	7 9	MARK 25 TO 38	70.00	14	5-796640-5
	TERMINAL PLATING	MARKING	SPECIAL	L	NO OF POSN	PART NUMBER



DETAIL W



THIS DRAWING IS A CONTROLLED DOCUMENT FOR TYCO ELECTRONICS CORPORATION IT IS SUBJECT TO CHANGE AND THE CONTROLLING ENGINEERING ORGANIZATION SHOULD BE CONTACTED FOR THE LATEST REVISION.

DWN S. WELDON 18OCT2000  
 CHK D. BIEVENOUR 18OCT2000  
 APVD D. BIEVENOUR 18OCT2000

Tyco Electronics  
 Harrisburg, PA 17105-3608

NAME: TERMINAL BLOCK, PLUG, STACKING 5.00mm PITCH

SIZE: A2 CAGE CODE: 00779 DRAWING NO: 796640 RESTRICTED TO: -

MATERIAL: - DIMENSIONS: mm TOLERANCES UNLESS OTHERWISE SPECIFIED: 0 PLC ±, 1 PLC ±0.3, 2 PLC ±0.25, 3 PLC ±, 4 PLC ±, ANGLES ±, FINISH ±2

PRODUCT SPEC: - APPLICATION SPEC: - WEIGHT: -

CUSTOMER DRAWING SCALE: 4:1 SHEET: 2 OF 2 REV: F7