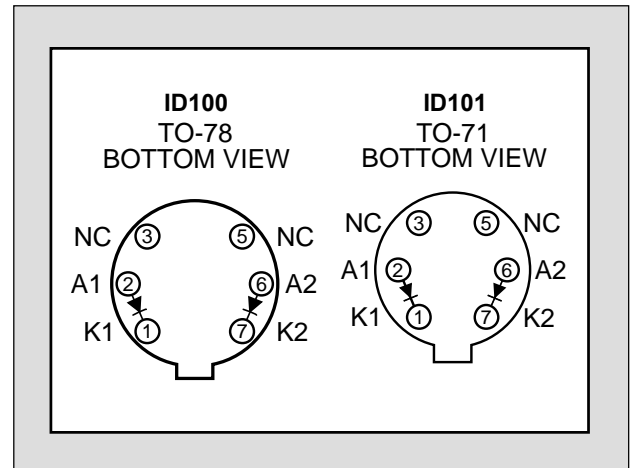


## ID100 ID101

### MONOLITHIC DUAL PICO AMPERE DIODES

FEATURES	
DIRECT REPLACEMENT FOR INTERSIL ID100 & ID101	
REVERSE LEAKAGE CURRENT	$I_R = 0.1\mu\text{A}$
REVERSE BREAKDOWN VOLTAGE	$BV_R \geq 30\text{V}$
REVERSE CAPACITANCE	$C_{RSS} = 0.75\text{pF}$
<b>ABSOLUTE MAXIMUM RATINGS<sup>1</sup></b>	
@ 25 °C (unless otherwise stated)	
<b>Maximum Temperatures</b>	
Storage Temperature	-65 to +200 °C
Operating Junction Temperature	-55 to +150 °C
<b>Maximum Power Dissipation</b>	
Continuous Power Dissipation	300mW
<b>Maximum Currents</b>	
Forward Current	20mA
Reverse Current	100 $\mu\text{A}$
<b>Maximum Voltages</b>	
Reverse Voltage	30V
Diode to Diode Voltage	$\pm 50\text{V}$



#### ELECTRICAL CHARACTERISTICS @ 25 °C (unless otherwise stated)

SYMBOL	CHARACTERISTIC	MIN	TYP	MAX	UNITS	CONDITIONS
$BV_R$	Reverse Breakdown Voltage	30			V	$I_R = 1\mu\text{A}$
$V_F$	Forward Voltage	0.8		1.1	V	$I_F = 10\text{mA}$
$I_R$	Reverse Leakage Current		0.1		pA	$V_R = 1\text{V}$
			2.0	10		$V_R = 10\text{V}$
$ I_{R1} - I_{R2} $	Differential Leakage Current			3	pA	$V_R = 10\text{V}$
$C_{RSS}$	Total Reverse Capacitance <sup>2</sup>		0.75	1	pF	$V_R = 10\text{V}, f = 1\text{MHz}$

**Figure 1. Operational Amplifier Protection**

Input Differential Voltage limited to 0.8V (typ) by Diodes ID100 D<sub>1</sub> and D<sub>2</sub>.  
Common Mode Input voltage limited by Diodes ID100 D<sub>3</sub> and D<sub>4</sub> to ±15V.

**Figure 2. Sample and Hold Circuit**

Typical Sample and Hold circuit with clipping. ID100 diodes reduce offset voltages fed capacitively from the ID100 switch gate.

FIGURE 1

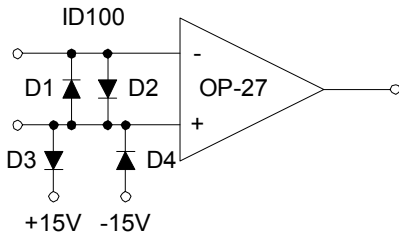
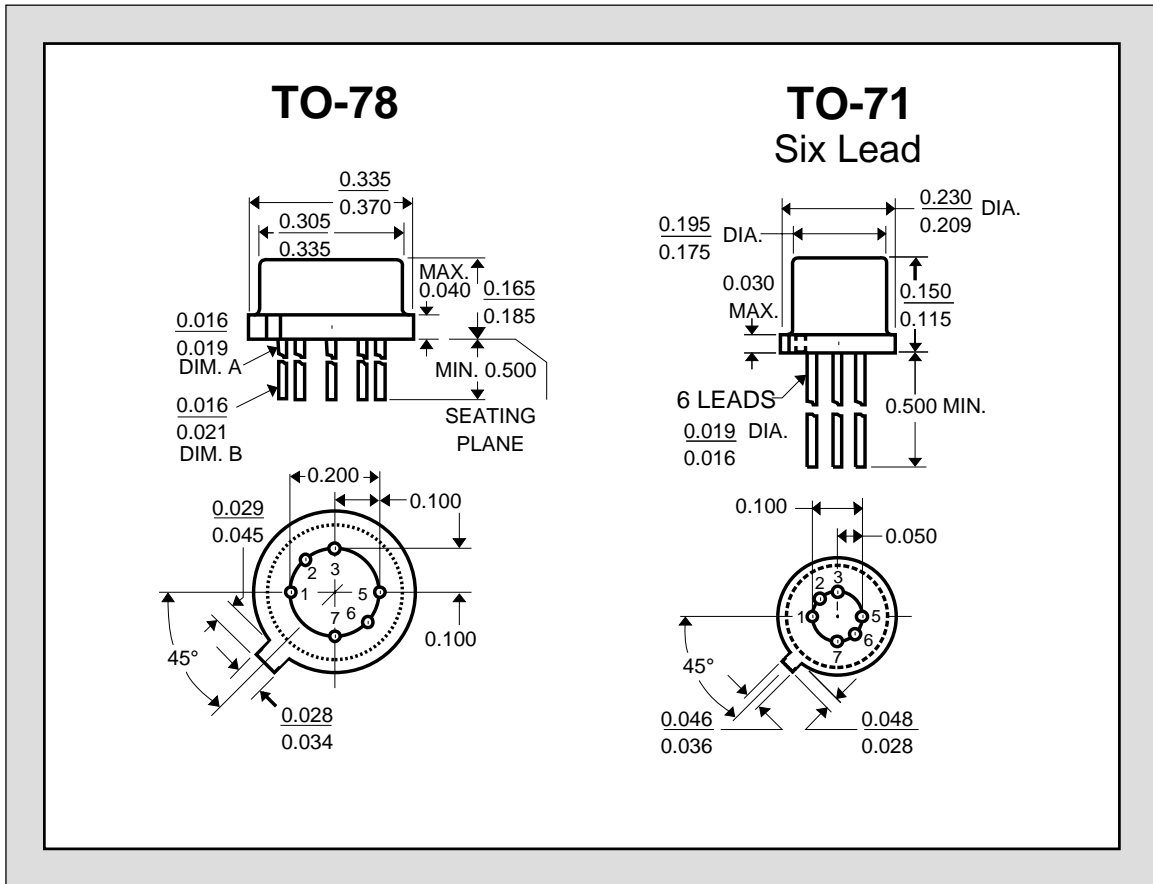
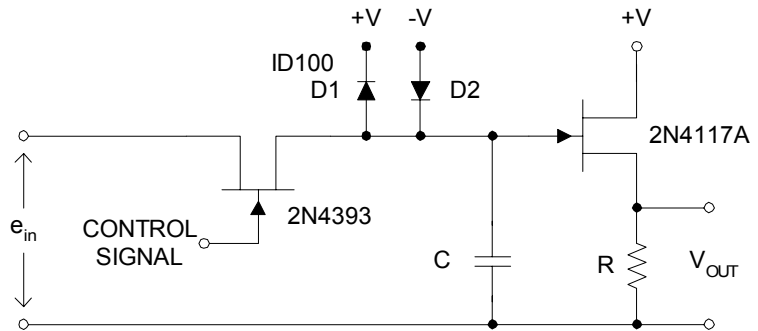


FIGURE 2



1. Absolute maximum ratings are limiting values above which serviceability may be impaired.
2. Design reference only, not 100% tested.
3. Pins 3 & 5 on ID100 and ID101 must not be connected, in any fashion or manner, to any circuit or node.

Information furnished by Linear Integrated Systems is believed to be accurate and reliable. However, no responsibility is assumed for its use; nor for any infringement of patents or other rights of third parties which may result from its use. No license is granted by implication or otherwise under any patent or patent rights of Linear Integrated Systems.