

PPC

PPC-7528F

Fanless and Low Power
8.4" Panel PC

Features and Benefits:

- Intel® Celeron® M ULV 1.0GHz CPU on board
- Supports Intel® 910GME + ICH6M chipset
- Totally fanless and quiet design
- Low power consumption and economical solution
- On-board IDE interface, Type II Compact flash slot
- Compact size with high performance
- High precision touch screen



Protech Systems Co., Ltd.

No. 24, Lane 365, Yang Goang Street, Nei Hu District Taipei 114, Taiwan
TEL: +886-2-8751-1111 FAX: +886-2-8751-1199
E-mail: sales@protech.com.tw
http://www.protech.com.tw

Protech Technologies Inc.

950 Fee Ana St, Suite B Placentia, CA 92870
TEL: +1-714-996-7200 FAX: +1-714-996-7300
Sales: sales@protech-usa.net
http://www.protech-usa.net

Protech Japan Co., Ltd.

OSK Bldg. 6F, 6-25-14, Minami-ohi Shinagawa-ku, Tokyo, 140-0013
TEL: +81-3-5753-8411 FAX: +81-3-3763-9282
E-mail: sam@protech-j.com
http://www.protech-j.com

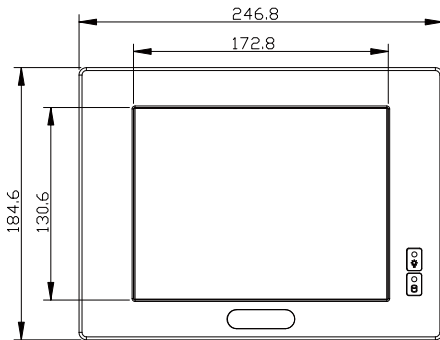


ISO CERTIFIED
9001 14001

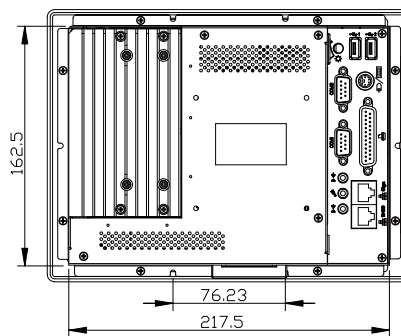
PPC-7528F

Fanless and Low Power 8.4" Panel PC

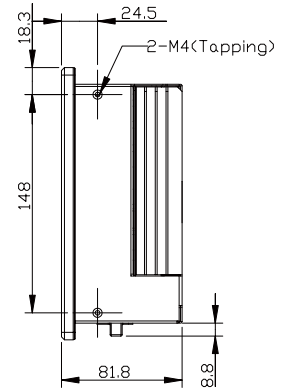
Front View



Rear View



Side View



Unit: mm

Specification

Systems

CPU Type	Intel® Celeron® M ULV 1.0GHz on board
Chipset	Intel® 910GML E + ICH6M
Memory Support	1 x 200pin DDR2 SO-DIMM, up to 2GB
Front Bezel	Aluminum
IP65	Yes (for front panel only)
Power Supply	DC 24Vin 60W power supply
O.S. Support	Windows XP / XPE
Dimension	247 x 185 x 82 mm (9.73" x 7.3" x 3.23")
System Weight	5 kg (11.02lb)
VESA Mounting Support	75 mm
Certificate	FCC / CE / UL

I/O Ports

USB	2 x USB 2.0
Keyboard / Mouse	1 x PS/2 port (KB/MS for Y-cable)
Audio	Line-in / Line-out / Mic in
Parallel Port	1 x Parallel port (SPP / EPP / ECP, share with Digital I/O)
Serial Port	2 x COM port (COM 1 for RS-232, COM 2 for RS232/RS422/RS485 selectable, All COM ports support +5V/+12V selectable)

Digital I/O	4 in / 4 out (share with Parallel port)
LAN	1 x LAN (1 x 10/100/1000 Mbps)
Brightness Control	VR on rear panel
Drive Bay	1 x 2.5" SATA HDD, 1 x IDE CF slot on board

Display

LCD	AUO 8.4" SVGA TFT LCD (refer selection guide for detail)
Touchscreen	Resistive Type 4-wire

Environment

Operation Temp.	0° ~ 40°C (32° ~ 104°F)
Storage Temp.	-20° ~ 80° C (-4°~176° F)
Humidity	20% ~ 90%

Ordering Information

SP-7528RA-F0B	8.4" fanless LCD panel PC, Intel® Celeron® M ULV 1GHz (w/o L2 cache CPU board, resistive touch screen, DC 60W power supply)
52-002-01885102	120W, 24Vdc output power adaptor

All of trademarks and brand names are the property of their owners. Trademark "Protech" is the property of Protech Systems Co., Ltd. All information contained in this document is subject to change without any prior notice. This catalog is copyrighted in Dec. 2012.