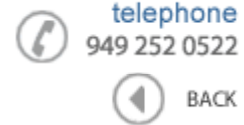
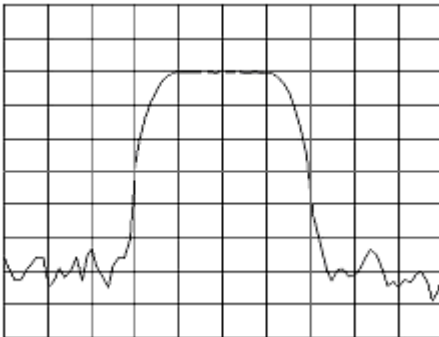
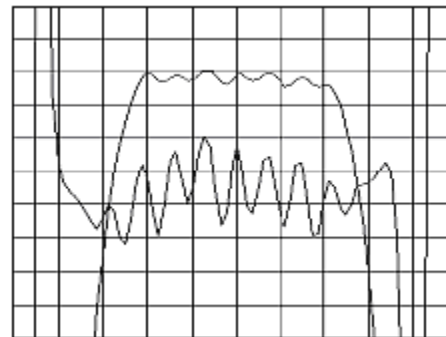


**Data Sheet**

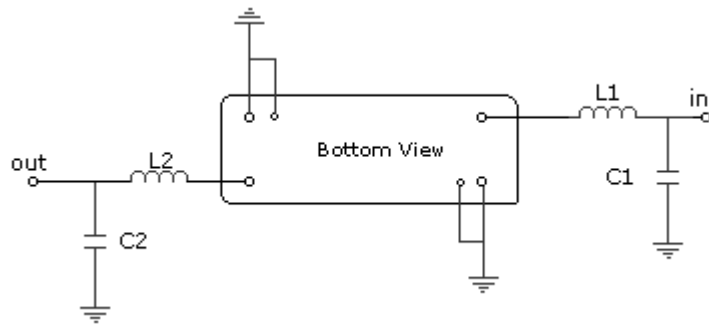
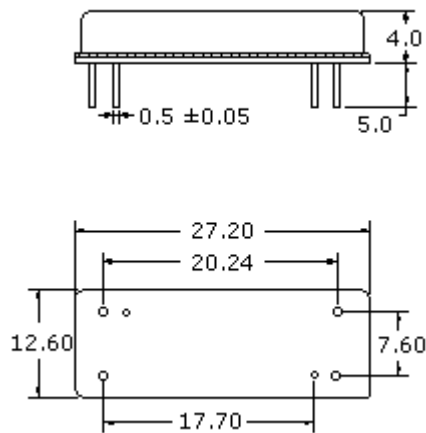
Product Category: IF SAW Filter

Part Number
827-IF120.0M-APackage
27.2 x 12.6 Thru HoleApplication
Base Station & RepeaterLast Modified
May 30 2003**TYPE :**120.0 MHz Bandpass Filter
0.9 MHz Bandwidth**PART NUMBER :****827-IF120.0M-A**Horizontal : 0.4 MHz/Div
Vertical : 10 dB/DivHorizontal : 0.2 MHz/Div
Vertical : 1 dB/Div
Vertical : 100 ns/Div**OPERATING CONDITIONS / ELECTRICAL CHARACTERISTICS**

PARAMETERS	Minimum	Typical	Maximum	Units
Center Frequency	119.96	120.0	120.04	MHz
Insertion Loss	-	18.7	20.0	dB
1.5dB Bandwidth	0.9	0.99	-	MHz
35dB Bandwidth	-	1.6	1.73	MHz
50dB Bandwidth	-	1.74	1.8	MHz
Passband Ripple	-	0.46	.8	dB
Group Delay Variation	-	310	400	nsec
Absolute Delay	-	3.45	-	µsec
Ultimate Rejection	50	55	-	dB
Substrate Material	-	Qz	-	-
Ambient Temperature	-	25	-	°C
Phase Linearity	-	4.85	8	deg

* Custom SAW IF Filters available. Contact Oscilent for assistance.

PACKAGE OUTLINE (mm)**TEST FIXTURE**



$L1 = 56\text{nH}$ $C1 = 62\text{pF}$
 $L2 = 47\text{nH}$ $C2 = 68\text{pF}$
 Source/Load Impedance = 50 ohms

Oscilent Corporation - CALL **949.252.0522**

Part No.: 827-IF120.0M-A

17962 Sky Park Circle, Building D, Irvine, CA 92614, USA
 Fax: 949.252.0599, E-Mail: Sales@Oscilent.com

Crystal Oscillators | Quartz Crystal | TCXO | VCXO | IF SAW Filter | RF SAW Filter | Ceramic Resonator
 Crystal Filter | Ceramic Filter | SAW Filter / SAW Devices | Site Map