

AC-DC Power Supplies

VEG15B SERIES (15 WATTS GREEN-MODE DESKTOP AC ADAPTER) (PRELIMINARY INFORMATION)

DESCRIPTION:

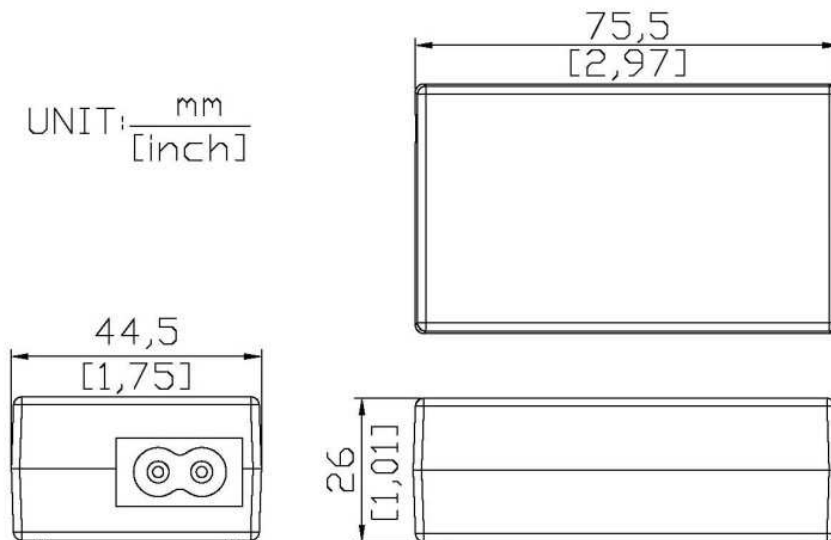
Desktop power supply 15 Watt with universal input voltage; regulated output voltage.



FEATURES :

- Two pins IEC C8 input socket
- Wide AC input range
- EMI filter (Level B)
- Fully enclosed plastic case
- Fully regulated output
- High efficiency
- High quality
- Power saving state under 0,5 W (Green mode)

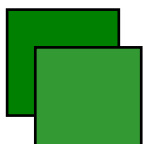
DIMENSIONS :



Power Systems – The Power Solution

Web: www.Power-Systems.de
 Email: Info@Power-Systems.de

Address: Hauptstr. 48 ; 74360 Illfeld-Auenstein / Germany
 Tel. : + 49 / 70 62 / 67 59 - 6
 Fax: + 49 / 70 62 / 67 59 - 800



AC-DC Power Supplies

VEG15B SERIES (15 WATTS GREEN-MODE DESKTOP AC ADAPTER) (PRELIMINARY INFORMATION)

ELECTRICAL CHARACTERISTICS :

INPUT:

Nominal Voltage: 100-240 Vac
 Variation Range: 90-264 Vac

Nominal Frequency: 50-60 Hz
 Variation Range: 47-63 Hz

Current: 0,5 Arms max.
 Inrush Current: 80A max. @ 264 Vac
 Efficiency: 75% min. @ nominal input & full load / 115 Vac

OUTPUT:

Voltage (Vo): (see table)
 Tolerance: +/- 5%

Power (Po): 15W max.
 Hold up time: 8ms min. @ full load / 115 VAC

Overvoltage protection: Built-in
 Short circuit protection: Pulsing mode, auto recovery
 Ripple/Noise (Vp-p): 1% (20MHz bandwidth)

TEMPERATURE:

Operating temperature range: 0 °C ~ +40 °C
 Storage temperature range: -20 °C ~ +85 °C

OUTPUT ELECTRONIC SPECIFICATION:

| Model No. | Po | Vo | Lo max. |
|-------------|-----|-----|---------|
| VEG15B-120F | 15W | 12V | 1,25A |

Note 1 : For other output voltage please ask factory.

EMI:

Meet FCC class B, CISPR 22 class B, VCCI class B

SAFETY:

UL / cUL, TUV / GS,
 CE, CCC, PSE,
 RCM, CE, B / S, FCC



Power Systems – The Power Solution

Web: www.Power-Systems.de
 Email: Info@Power-Systems.de

Address: Hauptstr. 48 ; 74360 Ilsfeld-Auenstein / Germany
 Tel. : + 49 / 70 62 / 67 59 - 6
 Fax: + 49 / 70 62 / 67 59 - 800