

RL-9750-2HM

THRU-HOLE AC LINE FILTER

DESCRIPTION

- Thru-Hole AC Line Filter

ENVIRONMENTAL DATA

- Storage temperature range: -55°C to +130°C
- Operating temperature range: -40°C to +130°C

PACKAGING INFORMATION

- Packaging information: pg. 495

FEATURES & APPLICATIONS

- Used in low to medium power AC-DC power supplies
- Small footprint
- High impedance at applicable frequency
- High self-resonant frequency
- Dielectric withstanding voltage rated at 2500 VAC line to line

Verify operation with sample in actual circuit. Order samples at www.rencousa.com.

MECHANICAL DIMENSIONS

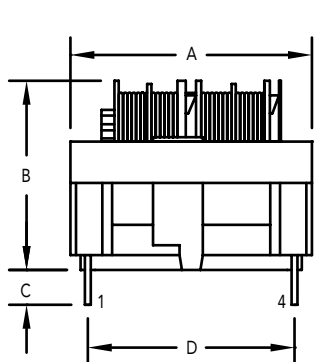
U.S. Standard (mm)

PART NUMBER	A (MAX.)	B (MAX.)	C (TYP.)	D ±0.02 (0.50)	E (MAX.)	F ±0.02 (0.50)
RL-9750-2HM	0.87 (22.00)	0.69 (17.50)	0.20 (5.00)	0.67 (17.00)	0.89 (22.00)	0.51 (13.00)

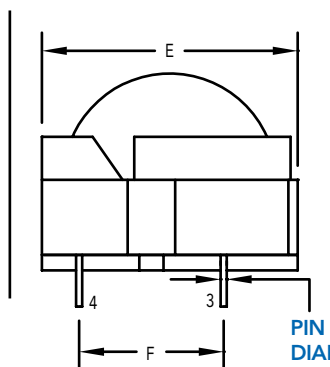
PART NUMBER	PART WEIGHT
RL-9750-2HM	10.0g (0.35oz)

G ±0.004 (0.10)	H ±0.004 (0.10)
0.67 (17.00)	0.51 (13.00)

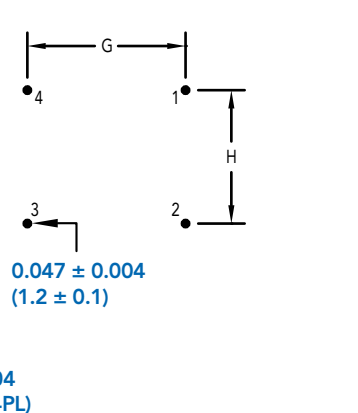
FRONT VIEW



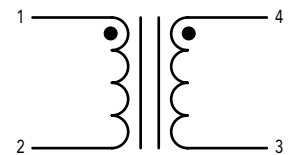
SIDE VIEW



RECOMMENDED LAND PATTERN



SCHEMATIC



RENCO ELECTRONICS INC.

595 International Place, Rockledge, FL 32955-4200 USA • www.rencousa.com • ISO 9001 Certified
Toll Free Engineering Hot Line: 800.645.5828 • P: 321.637.1000 • F: 321.637.1600



RL-9750-2HM

Renco Part No. RL-9750-2HM	Inductance (mH) Min.	DCR (Ohms) ± 20%	Irms (A) Max.
RL-9750-2HM-1.8	1.8	0.162	1.5
RL-9750-2HM-2.7	2.7	0.248	1.1
RL-9750-2HM-5.6	5.6	0.504	0.8
RL-9750-2HM-6.8	6.8	0.571	0.7
RL-9750-2HM-10.0	10.0	0.782	0.6
RL-9750-2HM-18.0	18.0	1.271	0.5
RL-9750-2HM-22.0	22.0	1.707	0.4
RL-9750-2HM-33.0	33.0	2.691	0.3

NOTES:

1. ELECTRICAL SPECIFICATIONS MEASURED AT 25°C
2. I_{rms} - CURRENT THAT CAUSES THE TEMPERATURE TO RISE APPROX. 40°C ABOVE AMBIENT OF 25°C
3. INDUCTANCE TESTED AT 10 kHz, 0.1 V_{rms}

