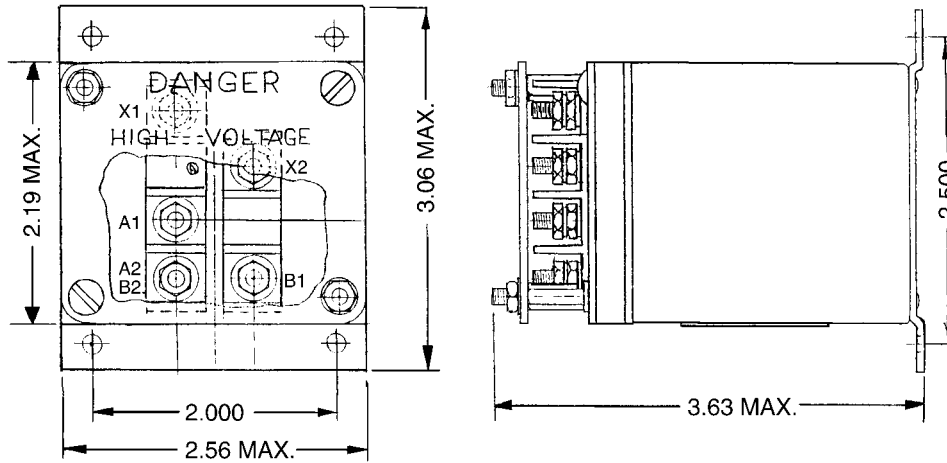


**AVR-834 SPDT, 3 Amps, 28 VDC**



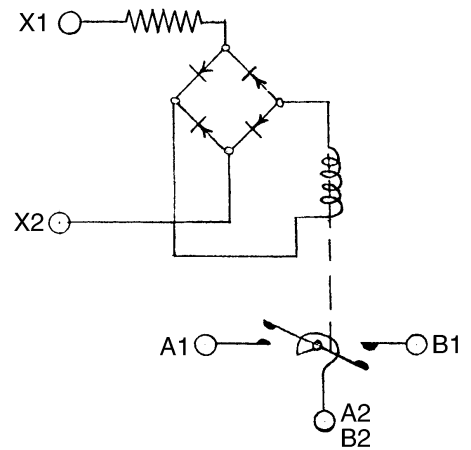
**Features:**

- SPDT Main Contacts
- AC Coil
- 28 VDC
- 3 Amps
- High Reliability
- Meets many requirements of MIL-R-6106
- Light Weight Construction



Dimensions for this product are expressed in inches. Multiply values by 25.4 for millimeters.

**CONTACTOR CONFIGURATION**



**Notes:**

PRODUCT SPECIFICATIONS	
Construction	Gasket Sealed
Main Contacts:	
Configuration	SPDT
Voltage (Nominal)	28 VDC
Current (Resistive)	3 Amps
Coil Data:	
Duty Cycle	Continuous
Voltage (Nominal)	120 VAC, 400 Hz
Pick-Up Voltage	135 - 150 Volts
Drop-Out Voltage	125 Volts Minimum
Operating Temperature	-55°C to +71°C
Weight	11 Oz.

For factory-direct application assistance, contact the HARTMAN product team at (419) 521-9500, Fax (419) 526-2749.

© 2004 by Tyco Electronics Corporation. All Rights Reserved. HARTMAN and TYCO are trademarks.