

Hall split core current sensor



Model:HSTS08

Open loop split core type, hanging installation, cable output Detect DC, AC and pulse current

Technical index:

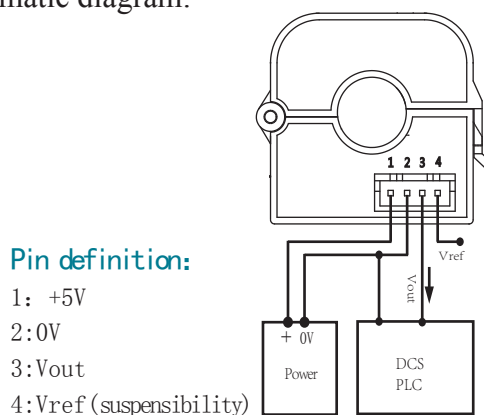
- Flame resistance: UL94-V0
- Operating temperature: -10~+70°C
- Storage temperature: -25~+85°C
- Bandwidth: DC
- Dielectric strength: 2.5KV 50Hz 1min



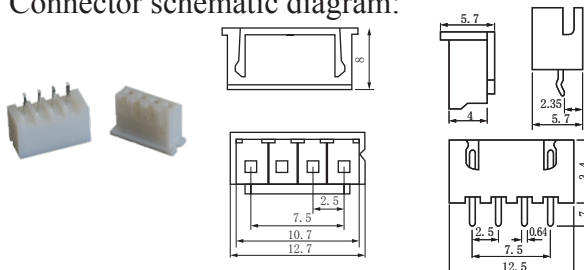
Electric parameters:

I_p	Rated input	± 10	± 20	A
I_{PM}	Input measured range	± 20	± 20	A
V_{out}	Rated output	$2.5V \pm 0.625V$	$2.5V \pm 1V$	
X	Accuracy	1		%
ϵ_L	Linearity	< 1		%
V_c	Supply voltage($\pm 5\%$)	+5		V
I_c	Current consumption	< 30		mA
R_L	Load impedance	$\geq 10K$		Ω
I_{OE}	Zero offset (TA=25°C)	$\leq \pm 15$		mV
T_R	Response time	< 1		μs
T_s	Band width	DC		
N.W	Weight	20		g

Schematic diagram:

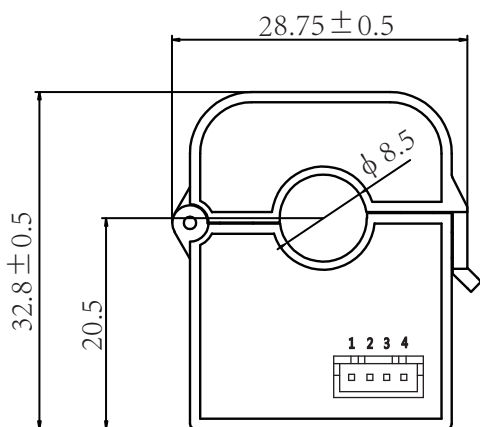


Connector schematic diagram:

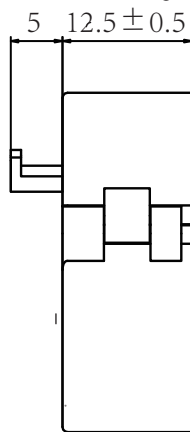


Cold-press terminal plug /socket, Distance 2.5, Stitch size 0.5×0.5

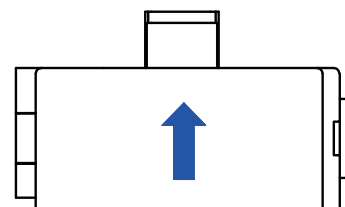
Dimensions (in mm) :



Front view



Side view



Top view