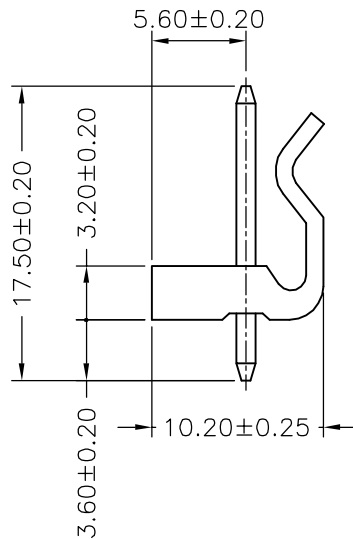
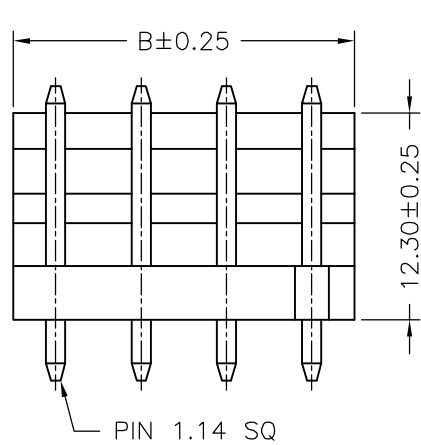
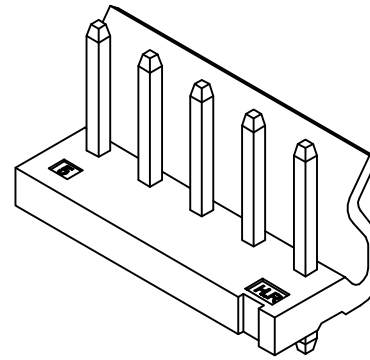
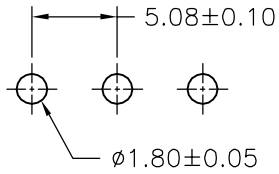
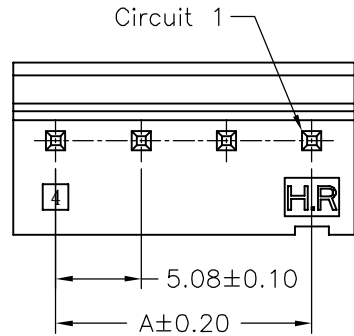


NO FLAME



SPECIFICATIONS

Current Rating: 7A AC,DC  
 Voltage Rating: 250V AC,DC  
 Temperature Range: -25°C ~ +85°C  
 Contact Resistance: 10mΩ Max  
 Insulation Resistance: 1000MΩ Min  
 Withstanding Voltage: 1500V AC/minute  
 Pin Material: Brass/Tin-plated  
 Material: PA6,UL94V-2 NO FLAME  
 IEC 60335-1 rev. 4  
 Color: Natural(Beige)

Ordering Information & Dimensions

PART NO.	Dimensions	
	A	B
A5081WV-02PNF	5.08	10.16
A5081WV-03PNF	10.16	15.24
A5081WV-04PNF	15.24	20.32
A5081WV-05PNF	20.32	25.40
A5081WV-06PNF	25.40	30.48
A5081WV-07PNF	30.48	35.56
A5081WV-08PNF	35.56	40.64
A5081WV-09PNF	40.64	45.72
A5081WV-10PNF	45.72	50.80
A5081WV-11PNF	50.80	55.88
A5081WV-12PNF	55.88	60.96
A5081WV-13PNF	60.96	66.04
A5081WV-14PNF	66.04	71.12
A5081WV-15PNF	71.12	76.20
A5081WV-16PNF	76.20	81.28
A5081WV-17PNF	81.28	86.36
A5081WV-18PNF	86.36	91.44
A5081WV-19PNF	91.44	96.52
A5081WV-20PNF	96.52	101.60

				JOINT TECH ELECTRONIC IND. CO., LTD. JOY DAY INDUSTRIAL CO., LTD.	
		UNIT	SCALE	SHEET	TITLE:
		mm		1 of 1	5.08mm PITCH 180°WAFER, PA6
		DRAWN BY	APPROVED BY		
		歐陽小強 2006.11.21	董正一 2006.11.21		
		GENERAL TOLERANCE			
A1	REVISE	2006.11.28	X.X±0.25	ANGLE±	DRAW NO.: A5081WV-XPNF
A0	NEW RELEASE	2006.11.21	X.XX±0.15		
REV.	DESCRIPTION	DATE	X.XXX±0.05		
					REV. A1