



**100N02**

Preliminary

*Power MOSFET*

**100A, 15V N-CHANNEL  
POWER TRENCH MOSFET**

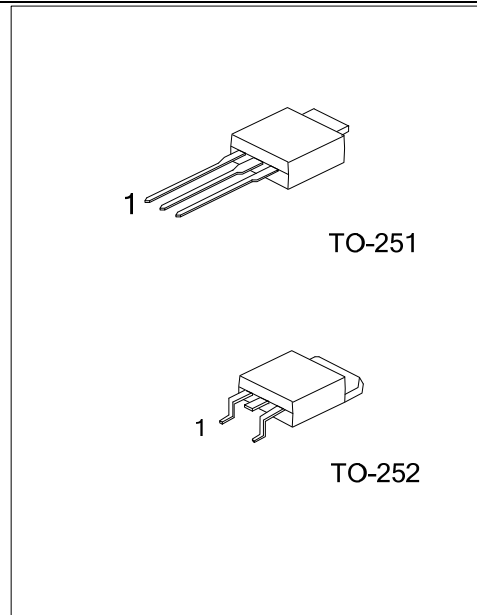
■ DESCRIPTION

The UTC **100N02** is an N-channel Power Trench MOSFET, it uses UTC's advanced technology to provide customers with a minimum on-state resistance, low gate charge and high switching speed.

The UTC **100N02** is generally applied in synchronous Rectification or DC to DC convertor.

■ FEATURES

- \*  $R_{DS(ON)} < 12m\Omega @ V_{GS}=10V, I_D = 55A$
- \* Low Gate Charge (Typical 46nC)
- \* High Switching Speed
- \* High Power and Current Handling Capability



■ ORDERING INFORMATION

Ordering Number		Package	Pin Assignment			Packing
Lead Free	Halogen Free		1	2	3	
100N20L-TM3-T	100N20G-TM3-T	TO-251	G	D	S	Tube
100N20L-TN3-T	100N20G-TN3-T	TO-252	G	D	S	Tube
100N20L-TN3-R	100N20G-TN3-R	TO-252	G	D	S	Tape Reel

Note: Pin Assignment: G: Gate D: Drain S: Source

<p>100N20L-TN3-R</p> <p>(1) Packing Type</p> <p>(2) Package Type</p> <p>(3) Lead Free</p>	<p>(1) R: Tape Reel, T: Tube</p> <p>(2) TN3: TO-252, TM3: TO-251</p> <p>(3) G: Halogen Free, L: Lead Free</p>
---	---

### ■ ABSOLUTE MAXIMUM RATINGS

PARAMETER	SYMBOL	RATINGS	UNIT
Drain-Source Voltage	$V_{DSS}$	15	V
Gate-Source Voltage	$V_{GSS}$	$\pm 8$	V
Drain Current	Continuous	$I_D$	100
	Pulsed	$I_{DM}$	400
Avalanche Energy	Single Pulsed	$E_{AS}$	12
Power Dissipation	$P_D$	54	W
Junction Temperature	$T_J$	+150	$^{\circ}C$
Storage Temperature Range	$T_{STG}$	-55~+150	$^{\circ}C$

Note: Absolute maximum ratings are those values beyond which the device could be permanently damaged. Absolute maximum ratings are stress ratings only and functional device operation is not implied.

### ■ THERMAL CHARACTERISTICS

PARAMETER	SYMBOL	RATINGS	UNIT
Junction to Ambient	$\theta_{JA}$	62.5	$^{\circ}C/W$
Junction to Case	$\theta_{JC}$	2.3	$^{\circ}C/W$

### ■ ELECTRICAL CHARACTERISTICS

PARAMETER	SYMBOL	TEST CONDITIONS	MIN	TYP	MAX	UNIT	
<b>OFF CHARACTERISTICS</b>							
Drain-Source Breakdown Voltage	$BV_{DSS}$	$I_D=250\mu A, V_{GS}=0V$	15			V	
Drain-Source Leakage Current	$I_{DSS}$	$V_{DS}=15V$			1	$\mu A$	
Gate-Source Leakage Current	Forward	$I_{GSS}$			$V_{GS}=+8V$	$\pm 100$	nA
					$V_{GS}=-8V$	$\pm 100$	nA
<b>ON CHARACTERISTICS</b>							
Gate Threshold Voltage	$V_{GS(TH)}$	$I_D=250\mu A$	0.5		1.2	V	
Static Drain-Source On-State Resistance	$R_{DS(ON)}$	$V_{GS}=4.5V, I_D=55A$			12	m $\Omega$	
<b>DYNAMIC PARAMETERS</b>							
Input Capacitance	$C_{ISS}$	$V_{GS}=0V, V_{DS}=20V, f=1.0MHz$		3565		pF	
Output Capacitance	$C_{OSS}$			1310		pF	
Reverse Transfer Capacitance	$C_{RSS}$			395		pF	
<b>SWITCHING PARAMETERS</b>							
Total Gate Charge	$Q_G$	$V_{GS}=10V, V_{DD}=12V, I_D=0.3A, I_G=100\mu A$		46	60	nC	
Gate to Source Charge	$Q_{GS}$			6.9		nC	
Gate to Drain Charge	$Q_{GD}$			9.8		nC	
Turn-ON Delay Time	$t_{D(ON)}$	$V_{DD}=10V, I_D=0.16A, R_G=25\Omega, V_{GS}=0\sim 10V$		9		ns	
Rise Time	$t_R$			106		ns	
Turn-OFF Delay Time	$t_{D(OFF)}$			53		ns	
Fall-Time	$t_F$			41		ns	
<b>SOURCE- DRAIN DIODE RATINGS AND CHARACTERISTICS</b>							
Drain-Source Diode Forward Voltage	$V_{SD}$	$I_S=55A$			1.3	V	

UTC assumes no responsibility for equipment failures that result from using products at values that exceed, even momentarily, rated values (such as maximum ratings, operating condition ranges, or other parameters) listed in products specifications of any and all UTC products described or contained herein. UTC products are not designed for use in life support appliances, devices or systems where malfunction of these products can be reasonably expected to result in personal injury. Reproduction in whole or in part is prohibited without the prior written consent of the copyright owner. The information presented in this document does not form part of any quotation or contract, is believed to be accurate and reliable and may be changed without notice.