



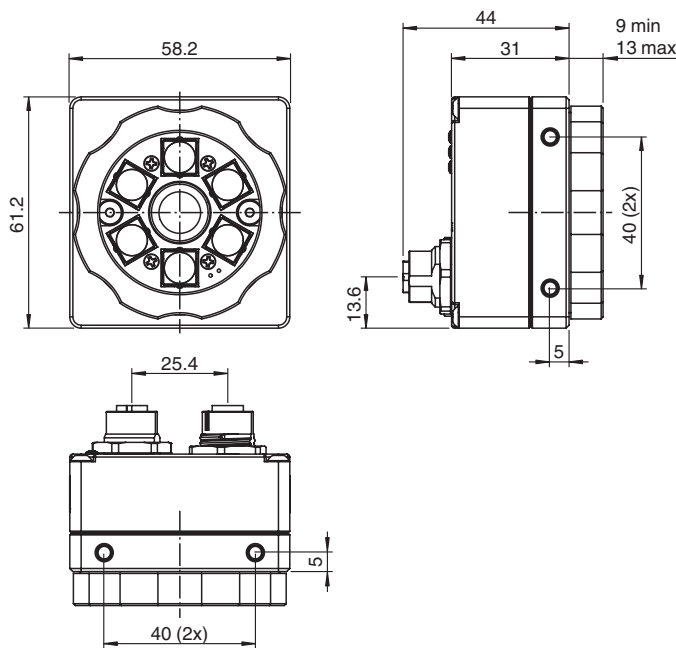
## Vision Sensor VOS1000-F226R-8MM-S

- Wide range of detection tools for flexible inspection tasks
- Offline parameterization
- 32 Jobs on-board can be saved
- Job administration
- Integrated illumination
- Mechanical focus adjustment

Vision sensor for complex object recognition with 32 job storage memory locations



### Dimensions



### Technical Data

#### General specifications

Light source	Integrated LED lightning
Light type	Red light
Picture detail	dependant of operating distance
Trigger mode	Free-running or triggered externally
Depth of focus	± 5 % of the operating distance
Resolution	640 x 480 pixels

#### Parameterization/software

Parameter assignment	Parameterization via PC user interface VCT Tool
Evaluation procedure	

Release date: 2020-07-29 Date of issue: 2020-07-29 Filename: 70114981\_eng.pdf

Refer to "General Notes Relating to Pepperl+Fuchs Product Information".

Pepperl+Fuchs Group  
www.pepperl-fuchs.com

USA: +1 330 486 0001  
fa-info@us.pepperl-fuchs.com

Germany: +49 621 776 1111  
fa-info@de.pepperl-fuchs.com

Singapore: +65 6779 9091  
fa-info@sg.pepperl-fuchs.com

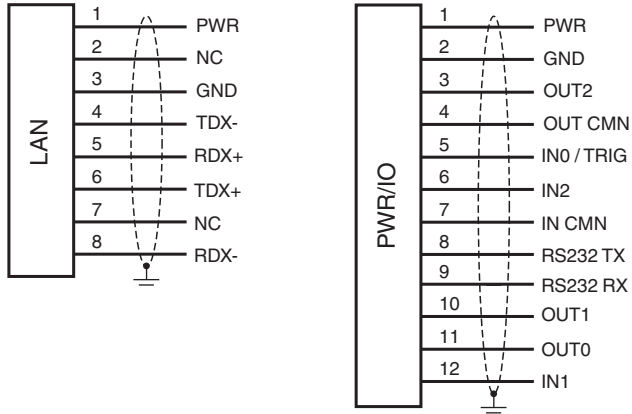
 PEPPERL+FUCHS

## Technical Data

Positioning and Guidance		Based on Parts or product marks, up to four Locators to detect X,Y shift and rotation
Identification and Verification		OCR, 1-D and 2-D barcodes
Detection & Pattern Matching		Pixel-, contour- or edge count
Measuring		Distance, angle, circle size (after calibration)
<b>Indicators/operating means</b>		
Operation indicator		LED blue
Function indicator		LED fault signal , LED yellow: switching state (2x) : Position OK/features OK
Focus setting		Focus adjustable via centering
<b>Electrical specifications</b>		
Operating voltage	U <sub>B</sub>	12 ... 30 V DC
<b>Interface</b>		
Interface type		Ethernet 100 Mbit/s , RS 232 , PROFINET , Ethernet TCP/IP , EtherNet/IP , MODBUS
<b>Input</b>		
Input voltage		24 V
Control input		Trigger + 2 general purpose inputs 2 inputs can be used for hardware solution switching
Switching threshold		ON > 10 V DC OFF < 2 V DC
<b>Output</b>		
Output type		3 general purpose outputs
Switching voltage		24 V
Switching current		max. 100 mA each output
<b>Standard conformity</b>		
Emitted interference		EN 61000-6-4:2007+A1:2011
Noise immunity		EN 61000-6-2:2005
<b>Approvals and certificates</b>		
Approvals		CE
<b>Ambient conditions</b>		
Ambient temperature		0 ... 50 °C (32 ... 122 °F)
Storage temperature		-20 ... 60 °C (-4 ... 140 °F)
<b>Mechanical specifications</b>		
Degree of protection		IP67
Connection		8-pin M12 socket A-coded ; 12-pin M12 socket
<b>Material</b>		
Housing		anodized aluminum , plastic
Optical face		Plastic pane
Installation		Mounting bracket
Mass		approx. 200 g

Release date: 2020-07-29 Date of issue: 2020-07-29 Filename: 70114981\_eng.pdf

**Connection Assignment**



Release date: 2020-07-29 Date of issue: 2020-07-29 Filename: 70114981\_eng.pdf

Refer to "General Notes Relating to Pepperl+Fuchs Product Information".

Pepperl+Fuchs Group  
www.pepperl-fuchs.com

USA: +1 330 486 0001  
fa-info@us.pepperl-fuchs.com

Germany: +49 621 776 1111  
fa-info@de.pepperl-fuchs.com

Singapore: +65 6779 9091  
fa-info@sg.pepperl-fuchs.com