

ATLANTIC VERSION TERMINATOR INTERFACE ADAPTER	PART NUMBER	REVISION	DESCRIPTION	FEED TYPE	APPLICATOR STYLE CONVERSION CHART						
					CONVERT TO	PART NUMBERS REQUIRED					
	2266315-2	A	FINE CRIMP HEIGHT ADJUST	PNEUMATIC	-	-	-	-	-	-	
	2266315-5	A	FINE CRIMP HEIGHT ADJUST	SERVO LATCH PLATE	SERVO LATCH PLATE	2119951-1	-	8-2266315-5	1901094-3	-	2168400-6 (QUANTITY 2)
	2266315-6	A	NON-CRIMP HEIGHT ADJUST	SERVO LATCH PLATE	PNEUMATIC FEED	2119950-1	1338685-1	5-18022-5	2119641-1	2119799-1	2063440-2
	2266315-7	A	FINE CRIMP HEIGHT ADJUST	NONE	-	-	-	-	-	-	-
	7-2266315-7	A	CRIMP TOOLING KIT	-	-	-	-	-	-	-	-

APPLICATOR DATA		
CRIMP SIZE	TYPE	
WIRE 3.56 mm [.140]	F	
INSUL 5.59 mm [.220]	F	

APPLICATOR INSTRUCTIONS 408-10389

TERMINAL DATA: TE TERMINAL		TE CRIMP SPECIFICATION	
TERMINAL NAME: RING & SPADE			
WIRE STRIP LENGTH		INSULATION DIAMETER RANGE	
4.98-5.36 mm [.196-.211 IN]		Ø2.03-2.92 mm [.080-.115 IN]	
TERMINAL APPLICATION SPECIFICATION			
	114-2084		
TERMINALS APPLIED			
TE TERMINAL	TE TERMINAL	TE TERMINAL	TE TERMINAL
61867-2	61863-2	61857-2	

WIRE SIZE	CRIMP HEIGHT mm [INCH]	CRIMP HEIGHT REFERENCE SETTING
14 AWG	2.41+/-0.05 [.095+/- .002]	8.9
16 AWG	2.24+/-0.05 [.088+/- .002]	10.7
18 AWG	2.13+/-0.05 [.084+/- .002]	11.7

- RECOMMENDED SPARE PARTS
- GREASE BEARING SURFACES LIGHTLY
- 3. LUBRICATE DAILY PER THE APPLICATOR INSTRUCTION SHEET SUPPLIED WITH THE APPLICATOR.
- APPLICATOR SPECIFIC DATA TO BE ENTERED INTO BLANK MEMORY CHIP AT ASSEMBLY. SEE BELOW FOR PART NUMBER:
 PNEUMATIC FEED WITH "SMART APPLICATOR" CONVERSION: 8-2266315-4
 SERVO FEED WITH "FINE CRIMP HEIGHT ADJUST": 8-2266315-5
 SERVO FEED WITH "NON-CRIMP HEIGHT ADJUST": 8-2266315-6
- 5. ADJUSTMENT OF THE STRIPPER MAY BE REQUIRED WHEN MOVING THE APPLICATOR BETWEEN BENCH AND LEADMAKER APPLICATIONS.
- APPLY PART NUMBER 1-23419-5 LOCTITE TO THREADS OF ITEM 62. APPLY PART NUMBER 2-23419-6 LOCTITE TO THREADS OF ITEM 242. FOR -6 ONLY APPLY PART NUMBER 1-23419-5 LOCTITE TO THREADS OF ITEM 37.
- GREASE THREADS, GROOVE AND O-RING ON ITEMS 35 & 252.
- MAGNET, ITEM 166 MUST BE ORIENTED CORRECTLY IN ORDER TO PROPERLY ACTUATE THE COUNTER.
- CRIMP HEIGHT REFERENCE SETTING WAS THE SETTING USED WHEN THE APPLICATOR WAS QUALIFIED AT THE FACTORY. ADJUSTMENT MAY BE NECESSARY WHEN RUNNING APPLICATOR IN THE FIELD.
- TERMINAL PITCH NOT COMPATIBLE WITH MECHANICAL FEED.
- TO CONVERT THE APPLICATOR TO A NON-CARRIER CUTTING STYLE, REMOVE ITEM 13 AND ATTACH TO THE LOCATION ON THE BACK SIDE OF THE HOUSING. REFER TO INSTRUCTION SHEET FOR ADDITIONAL INFORMATION.
- WHEN ASSEMBLING A NON CRIMP HEIGHT ADJUST APPLICATOR (-6) USE SHIMS FROM ITEM 260 TO ACHIEVE A NOMINAL SHIM HEIGHT OF 3.39.
- FEED FOR TERMINAL 61867 & 61863 IS 23.11 [.910 IN]. FEED FOR TERMINAL 61857 IS 17.98 [.708 IN]. FEED ADJUSTMENTS MAY BE REQUIRED WHEN SWITCHING TERMINALS.

***WARNING**
 ON INSTALLATION, SET WIRE DISC, ITEM 40 TO LARGEST WIRE SIZE SETTING. USE OF SETTINGS BELOW MINIMUM REQUIRED CRIMP HEIGHT SETTING WILL CAUSE DAMAGE TO CRIMP TOOLING.

ATLANTIC VERSION
 Shown on sheets 1 of 4 & 2 of 4
 (Pacific version shown on sheets 3 of 4 & 4 of 4)

SET UP GAUGE	LOC	DIST	REVISIONS				
2119599-1	A	66	P LTR	DESCRIPTION	DATE	OWN	APVD
			A	RELEASED	27AUG2014	RK	GB

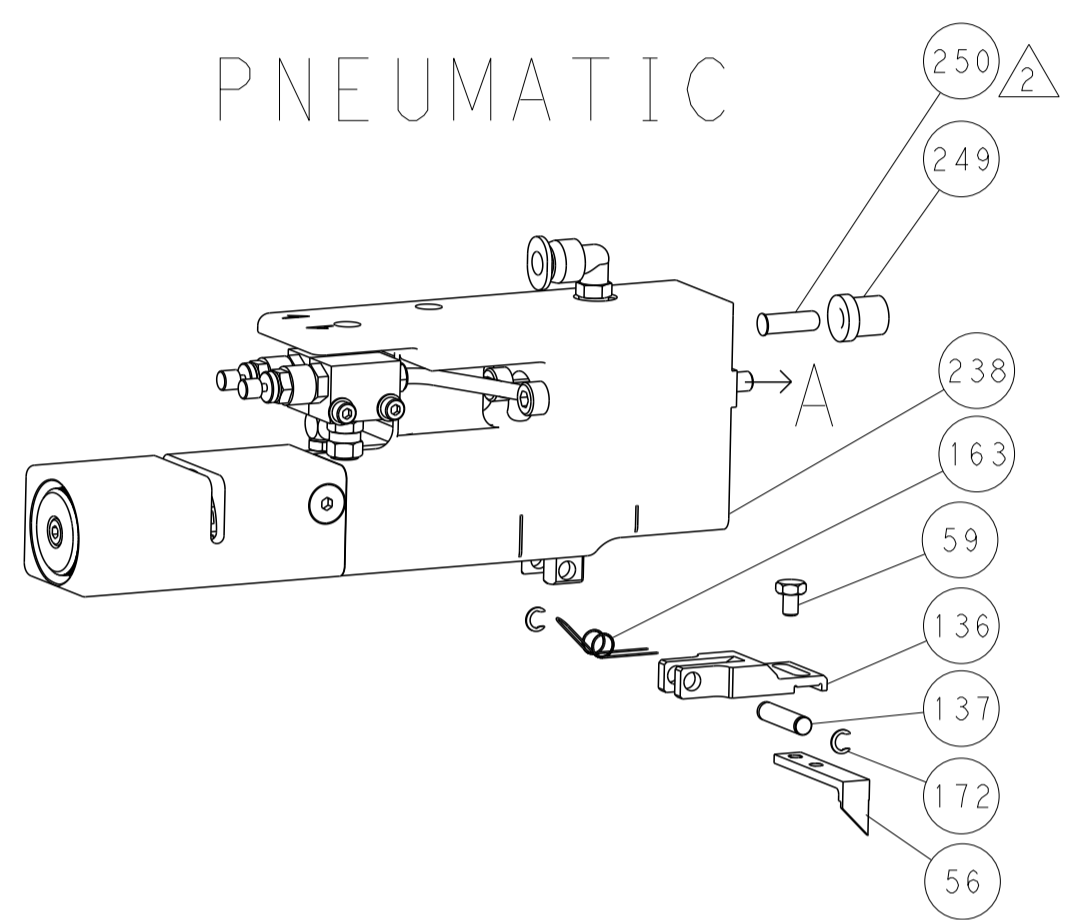
-	-	1	-	-	2119957-2	APPLICATOR SHIM PACK	260
-	1	1	1	1	1803078-4	SPACER, PRECISION	259
-	1	-	1	1	8-21084-0	O-RING, .676 ID, .070 DIA. MAT.	252
-	-	-	-	1	2119640-1	PUSH ROD, AIR FEED	250
-	-	-	-	1	2079988-1	BUSHING, LCH5-12, MISUMI	249
-	-	-	-	1	2119641-1	FEED CAM, AIR FEED	248
-	1	-	1	1	2119798-1	DETENT PIN	247
-	1	-	1	1	1-22279-3	SPRING, COMPRESSION	246
-	-	1	-	-	2161314-1	RAM, STEPPED, ATLANTIC, SF, NON-ADJ	245
-	1	1	1	1	2119082-2	CAM, SNAIL, INSULATION ADJUSTMENT	244
-	1	1	1	1	2079764-1	WASHER, WAVE SPRING, CREST-TO-CREST	243
-	1	1	1	1	2119083-1	RETAINER, INSULATION DIAL	242
-	1	1	1	1	7-18023-7	SCR, SKT HD CAP M3 X 4.0	241
-	-	2	2	-	2168400-6	SHCS, LOW HEAD, RoHS, M5 X 16	240
-	-	-	-	1	2063440-2	AIR FEED MODULE	238
-	-	1	1	-	2119740-2	TAG, IDENTIFICATION	213
-	-	1	1	-	1901094-3	SPACER, FEEDER	198
-	-	-	-	2	21045-3	RING, RETAIN, EXTERN, 3/16 CRESCENT	172
-	1	1	1	1	994969-1	MAGNET, RARE EARTH HIGH ENERGY	166
-	REF	REF	REF	REF	994970-2	COUNTER, MAGNETIC	164
-	-	-	-	1	240638-1	SPRING, FEED FINGER	163
-	-	-	-	1	3-23627-7	PIN, RETAIN, GRVD, 3/16 X .854	137
-	-	-	-	1	2119799-1	HOLDER, FEED FINGER, AF	136
-	-	REF	REF	-	SEE NOTE 4	MEMORY CHIP, PROGRAMMED	135
-	-	1	1	-	1633743-1	SERVO FEED LATCH ASM	133
-	-	REF	REF	-	2119944-1	FEED FINGER ASSEMBLY, SF	117
-	1	1	1	1	2119955-1	ASSY, LUBRICATOR, SIDE FEED	113
-	1	1	1	1	1-455888-0	SPACER, CRIMPER	82
-	1	1	1	1	2119956-1	DOCUMENTATION PACKAGE	71
-	1	-	-	1	2119740-1	TAG, IDENTIFICATION	67
-	2	2	2	2	2168078-1	SCREW, DRIVE, RH, RoHS, 2 x .188	66
-	1	-	1	1	2119793-1	LIMITER, ADJUSTMENT BOLT	63
-	3	-	3	3	992763-5	SCR, SET, SOC, CONE POINT, M3 x 4.0	62
-	1	1	1	1	2079383-4	SCR, BHSC, RoHS (M4 X 8)	60
-	-	-	-	1	5-18022-5	SCR, HEX HD CAP, M4 X 6.0	59
-	-	-	-	1	1338685-1	PAWL, FEED	56
-	4	4	4	4	2168400-1	SHCS, LOW HEAD, RoHS, M4 X 12	54
-	2	2	2	2	1-2168083-0	SCR, SKT HD CAP, RoHS, M4 X 10	53
-	1	1	1	1	5018030-1	NUT, HEX, REG, RoHS, M3	52
-	1	1	1	1	811242-5	BUMPER, HOLD DOWN	51
-	1	1	1	1	690753-2	SPACER, TONKER	50
-	-	-	-	1	18023-9	SCR, SKT HD CAP M4 X 6.0	49
-	1	1	1	1	2119656-9	APPLICATOR BASIC ASSEMBLY, SF	46
-	1	-	1	1	2161311-1	RAM, STEPPED, AMP STYLE, SIDE FEED	44
-	1	1	1	1	1-2079383-5	SCR, BHSC, RoHS (M8 X 40)	41
-	1	-	1	1	2119645-1	DISC, NUMBERED FA WIRE ADJUSTMENT	40
-	1	-	1	1	2119957-1	APPLICATOR SHIM PACK	39
-	1	1	1	1	2119644-3	RAM WASHER, PRECISION	38
-	1	1	1	1	2119085-1	FA HEAD, ATLANTIC STYLE	37
-	1	-	1	1	2119092-1	BOLT, ADJUSTMENT	35
-	1	1	1	1	1752356-1	SUPPORT, TERMINAL	34
-	2	2	2	2	2079383-5	SCR, BHSC, RoHS (M4 X 20)	33
-	1	1	1	1	2161328-1	HEX HEAD, FLANGED, M5 x 8mm LONG	32
-	1	1	1	1	1-1320908-2	SPACER, STRIP GUIDE	30
-	1	1	1	1	2119959-1	ASSEMBLY, STRIP GUIDE	29
-	1	1	1	1	455888-3	SPACER, CRIMPER	28
-	1	1	1	1	1320928-6	STRIP GUIDE	24
-	1	1	1	1	2168083-2	SCR, SKT HD CAP, RoHS, M4 X 8.0	21
-	2	2	2	2	1-18028-2	WASHER, FLAT, REG M4	20
-	1	1	1	1	2119533-1	STRIPPER, SIDE FEED	19
-	1	1	1	1	2119806-1	INSERT, SHEAR	13
-	1	1	1	1	3-22280-3	SPRING, COMPRESSION	12
-	1	1	1	1	1-356885-4	STOP, SHEAR	11
-	1	1	1	1	2119805-1	SHEAR HOLDER, FRONT	10
-	1	1	1	1	318707-1	FLOATING SHEAR, FRONT	9
-	1	1	1	1	1633137-7	ANVIL, COMBINATION .140	8
-	-	-	-	-	-	-	7
-	-	-	-	-	-	-	6
-	1	1	1	1	1-2119757-2	DEPRESSOR, SHEAR	5
-	1	1	1	1	4-238011-5	BLOCK, CRIMPER SPACER	4
-	1	1	1	1	4-1803016-1	CRIMPER, INSULATION F	3
-	1	1	1	1	1-455888-0	SPACER, CRIMPER	2
-	1	1	1	1	2-456411-2	CRIMPER, WIRE PREMIUM	1

DIMENSIONS:		TOLERANCES UNLESS OTHERWISE SPECIFIED:		OWN	CHK	DATE	NAME	
mm	0 PLC ±.5	1 PLC ±.5	2 PLC ±.13	H. HUANG	L. ZHANG	03JUN2014	TE Connectivity	
	3 PLC ±.013	4 PLC ±.0001	ANGLES ±.0001	U. GUO		03JUN2014	Harrisburg, PA 17105-3608	
MATERIAL	FINISH	WEIGHT	SCALE	PRODUCT SPEC		APPLICATION SPEC		RESTRICTED TO
				A1		00779	©=2266315	
Customer Accessible Production Drawing				SCALE 1:2		SHEET 1 of 4		REV A

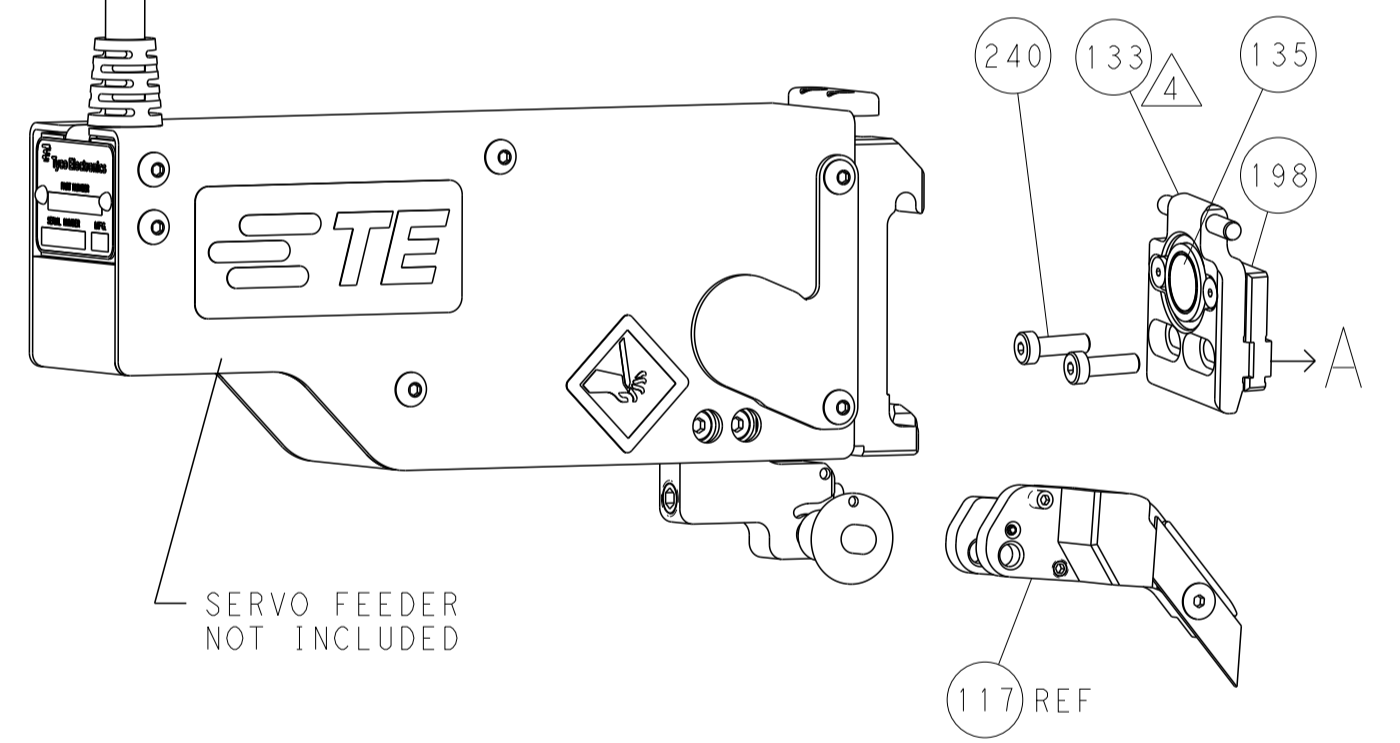
LOC	DIST	REV	DATE	BY	APPV
A	66				
REVISIONS			DATE	BY	APPV
- SEE SHEET 1			-	-	-

FEED TYPE

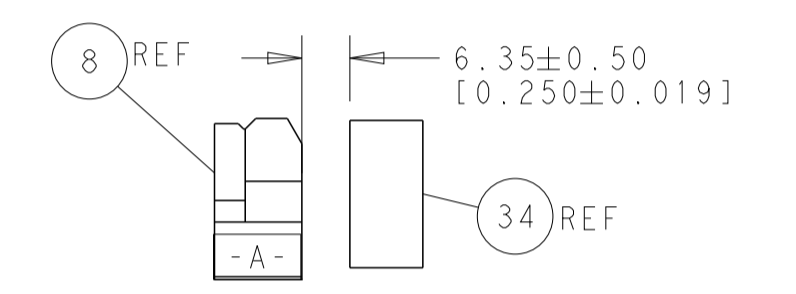
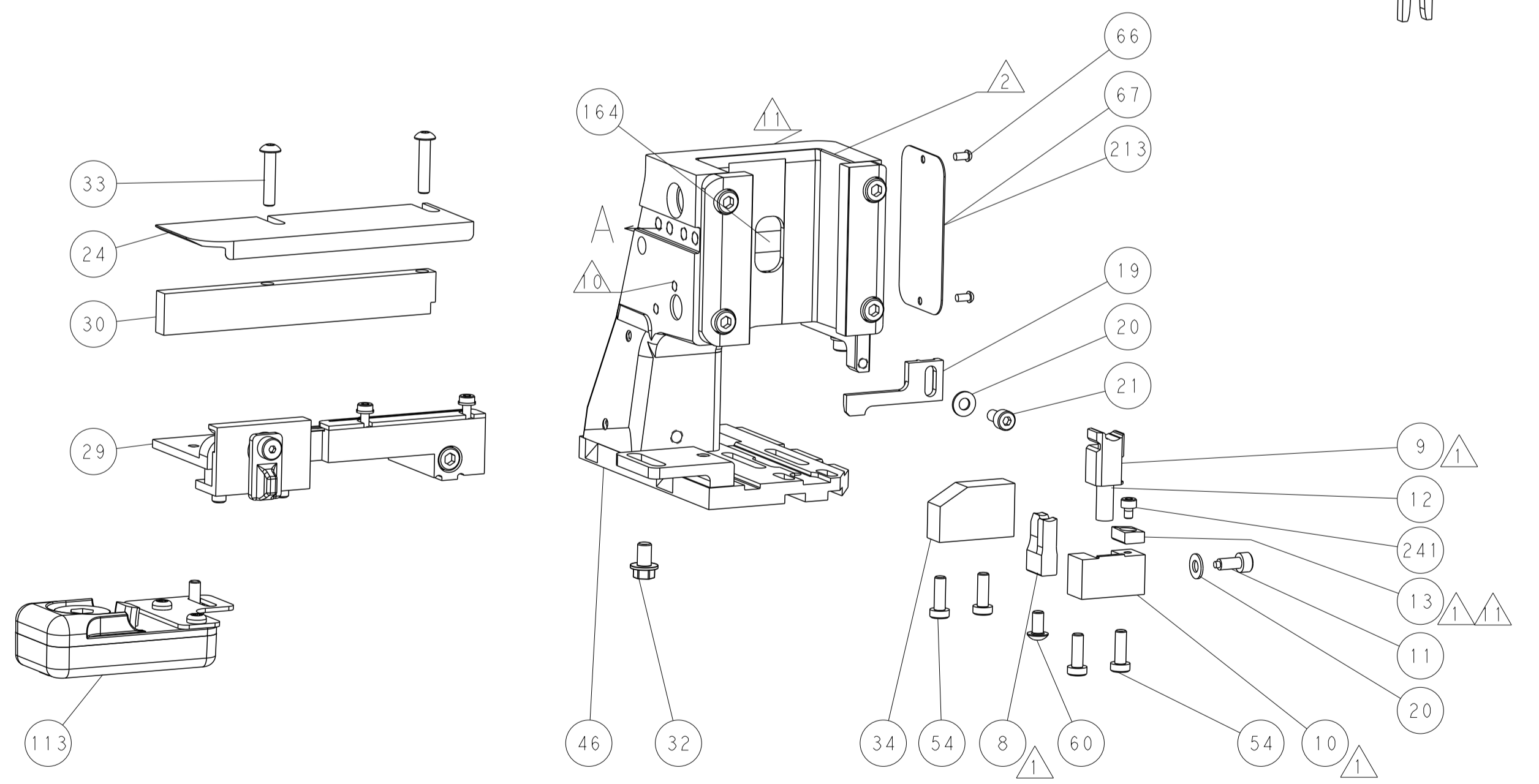
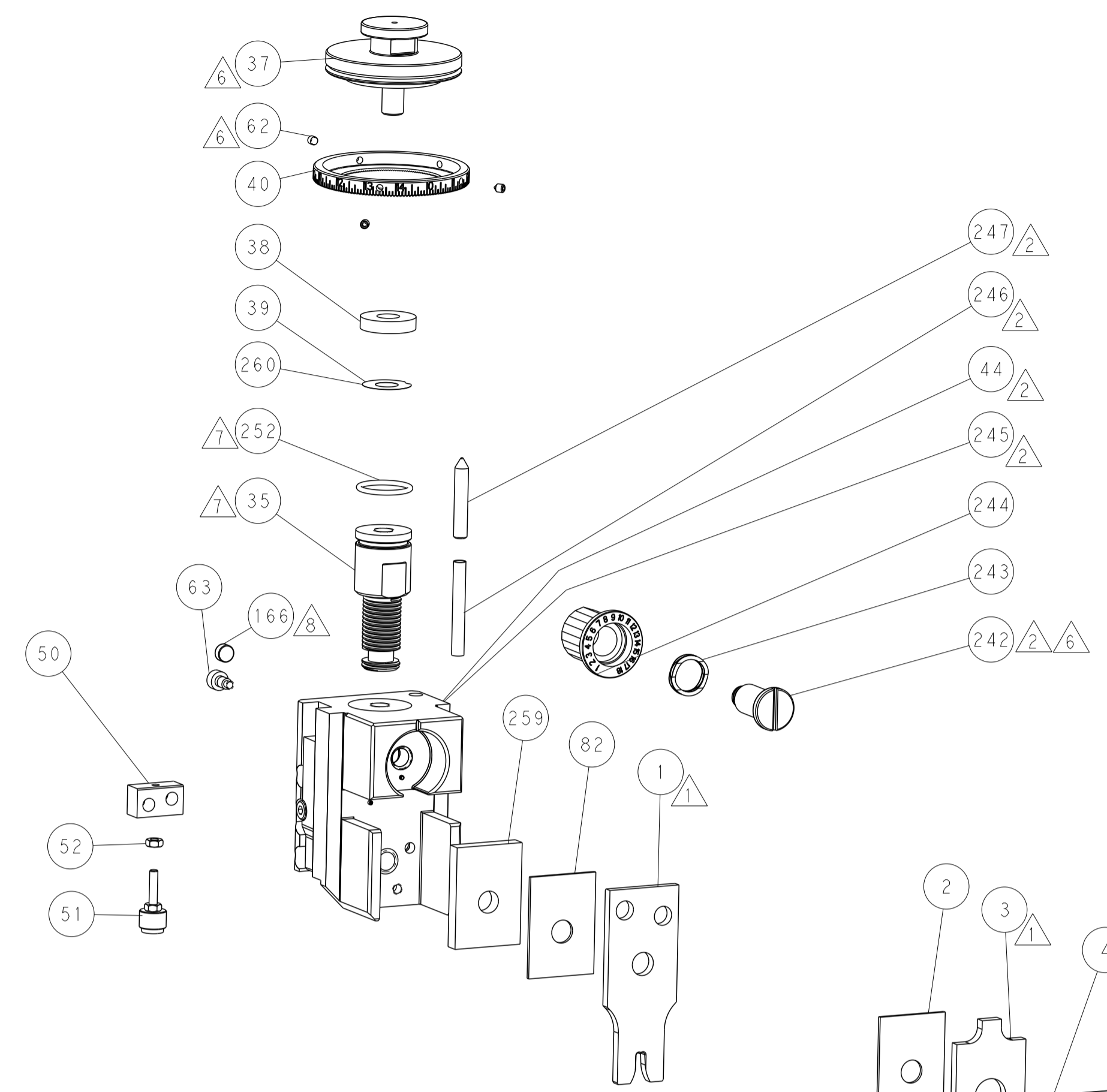
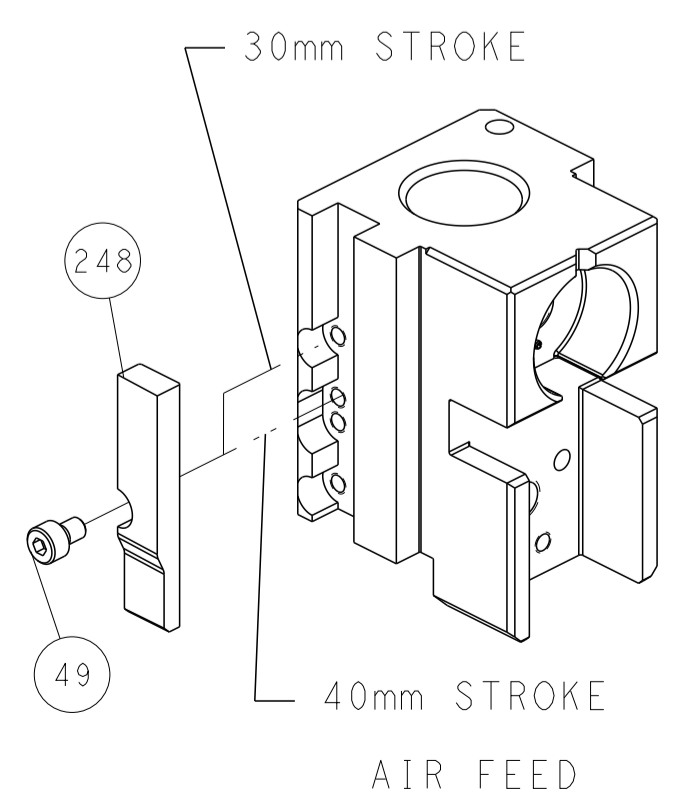
PNEUMATIC



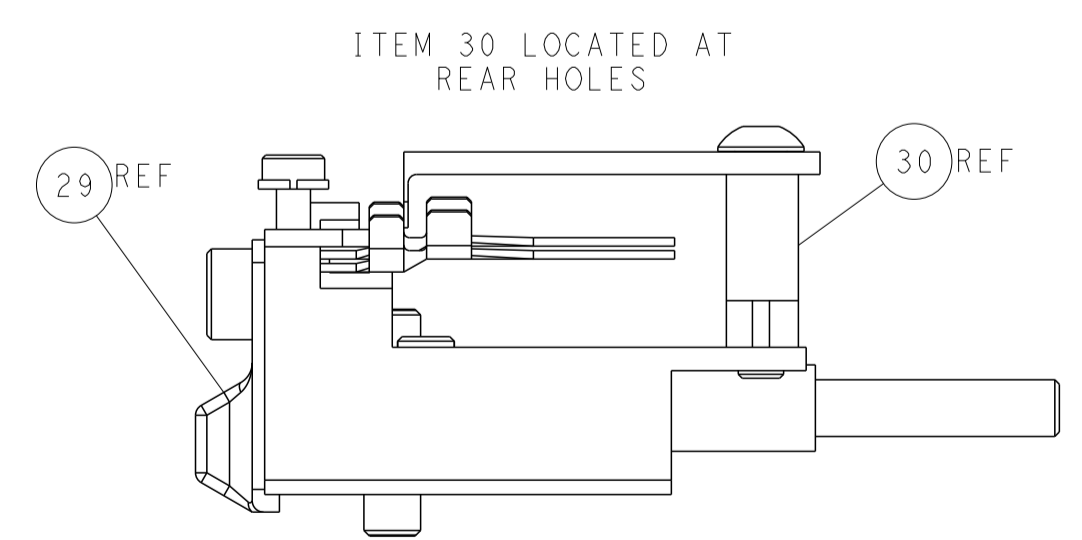
SERVO LATCH PLATE



CAM POSITION



TERMINAL SUPPORT LOCATION



FEED TRACK POSITION GUIDE BY INSULATION BARREL

ATLANTIC VERSION
 Shown on sheets 1 of 4 & 2 of 4
 (Pacific version shown on sheets 3 of 4 & 4 of 4)

DIMENSIONS:		TOLERANCES UNLESS OTHERWISE SPECIFIED:		OWN	03JUN2014	TE Connectivity Harrisburg, PA 17105-3608
mm	0 PLC ±0.5	1 PLC ±0.5	2 PLC ±0.13	CHK	03JUN2014	
	3 PLC ±0.013	4 PLC ±0.001	ANGLES ±0.0001	APVD	03JUN2014	NAME
MATERIAL:	FINISH:			PRODUCT SPEC		Ocean Side Feed Applicator
				APPLICATION SPEC		SIZE
				WEIGHT		CAGE CODE
				A1 00779		DRAWING NO
				Customer Accessible Production Drawing		RESTRICTED TO
				SCALE		1:2
				SHEET		2 of 4
				REV		A

PACIFIC VERSION TERMINATOR INTERFACE ADAPTER	PART NUMBER	REVISION	DESCRIPTION	FEED TYPE	CONVERT TO	PART NUMBERS REQUIRED					
	2-2266315-2	A	FINE CRIMP HEIGHT ADJUST	PNEUMATIC	-	-	-	-	-	-	
	2-2266315-5	A	FINE CRIMP HEIGHT ADJUST	SERVO LATCH PLATE ⁴	SERVO LATCH PLATE	2119951-1	-	8-2266315-5	1901094-3	-	2168400-6 (QUANTITY 2)
	2-2266315-7	A	FINE CRIMP HEIGHT ADJUST	NONE	SMART APPLICATOR	2161326-1	-	8-2266315-4	-	-	
	7-2266315-7	A	CRIMP TOOLING KIT	-	PNEUMATIC FEED	2119950-1	1338685-1	5-18022-5	2119641-2	2119799-1	2063440-2

APPLICATOR DATA		
CRIMP	SIZE	TYPE
WIRE	3.56 mm [1.40]	F
INSUL	5.59 mm [2.20]	F
APPLICATOR INSTRUCTIONS 408-10389		

TERMINAL DATA: TE TERMINAL		TE CRIMP SPECIFICATION	
TERMINAL NAME: RING & SPADE			
WIRE STRIP LENGTH 4.98-5.36 mm [1.96-.211 IN]		INSULATION DIAMETER RANGE Ø2.03-2.92 mm [0.080-.115 IN]	
TERMINAL APPLICATION SPECIFICATION	114-2084	-	-
TERMINALS APPLIED ¹ ₀ ² ₂			
TE TERMINAL	TE TERMINAL	TE TERMINAL	TE TERMINAL
61867-2	61863-2	61857-2	

WIRE SIZE	CRIMP HEIGHT mm [INCH]	CRIMP HEIGHT REFERENCE SETTING
14 AWG	2.41+/-0.05 [1.095+/-0.002]	8.9
16 AWG	2.24+/-0.05 [1.088+/-0.002]	10.7
18 AWG	2.13+/-0.05 [1.084+/-0.002]	11.7

- ¹ RECOMMENDED SPARE PARTS
- ² GREASE BEARING SURFACES LIGHTLY
- 3. LUBRICATE DAILY PER THE APPLICATOR INSTRUCTION SHEET SUPPLIED WITH THE APPLICATOR.
- ⁴ APPLICATOR SPECIFIC DATA TO BE ENTERED INTO BLANK MEMORY CHIP AT ASSEMBLY. SEE BELOW FOR PART NUMBER:
PNEUMATIC FEED WITH "SMART APPLICATOR" CONVERSION: 8-2266315-4
SERVO FEED WITH "FINE CRIMP HEIGHT ADJUST": 8-2266315-5
- 5. ADJUSTMENT OF THE STRIPPER MAY BE REQUIRED WHEN MOVING THE APPLICATOR BETWEEN BENCH AND LEADMAKER APPLICATIONS.
- ⁶ APPLY PART NUMBER 1-23419-5 LOCTITE TO THREADS OF ITEM 62. APPLY PART NUMBER 2-23419-6 LOCTITE TO THREADS OF ITEM 242.
- ⁷ GREASE THREADS, GROOVE AND O-RING ON ITEMS 139 & 152.
- ⁸ MAGNET MUST BE ORIENTED CORRECTLY IN ORDER TO PROPERLY ACTUATE THE COUNTER.
- ⁹ CRIMP HEIGHT REFERENCE SETTING WAS THE SETTING USED WHEN THE APPLICATOR WAS QUALIFIED AT THE FACTORY. ADJUSTMENT MAY BE NECESSARY WHEN RUNNING APPLICATOR IN THE FIELD.
- ¹⁰ TERMINAL PITCH NOT COMPATIBLE WITH MECHANICAL FEED.
- ¹¹ TO CONVERT THE APPLICATOR TO A NON-CARRIER CUTTING STYLE, REMOVE ITEM 13 AND ATTACH TO THE LOCATION ON BACK SIDE OF THE HOUSING. REFER TO INSTRUCTION SHEET FOR ADDITIONAL INFORMATION.
- ¹² FEED FOR TERMINAL 61867 & 61863 IS 23.11 [0.910 IN]. FEED FOR TERMINAL 61857 IS 17.98 [0.708 IN]. FEED ADJUSTMENTS MAY BE REQUIRED WHEN SWITCHING TERMINALS.

***WARNING**
ON INSTALLATION, SET WIRE DISC, ITEM 40 TO LARGEST WIRE SIZE SETTING. USE OF SETTINGS BELOW MINIMUM REQUIRED CRIMP HEIGHT SETTING WILL CAUSE DAMAGE TO CRIMP TOOLING.

PACIFIC VERSION
Shown on sheets 3 of 4 & 4 of 4
(Atlantic version shown on sheets 1 of 4 & 2 of 4)

SET UP GAUGE	LOC	DIST	REVISIONS					
2119599-1	A	66	P	LTN	DESCRIPTION	DATE	OWN	APVD
			-	-	SEE SHEET 1	-	-	-

-	1	1	1	1803078-4	SPACER, PRECISION			259
-	1	1	1	2119782-1	FINE ADJUST HEAD ASM, PACIFIC STYLE			251
-	-	-	1	2119640-1	PUSH ROD, AIR FEED			250
-	-	-	1	2079988-1	BUSHING, LCH5-12, MISUMI			249
-	1	1	1	1-22279-3	SPRING, COMPRESSION			246
-	1	1	1	2119082-2	CAM, SNAIL, INSULATION ADJUSTMENT			244
-	1	1	1	2079764-1	WASHER, WAVE SPRING, CREST-TO-CREST			243
-	1	1	1	2119083-1	RETAINER, INSULATION DIAL			242
-	1	1	1	7-18023-7	SCR, SKT HD CAP M3 X 4.0			241
-	-	2	-	2168400-6	SHCS, LOW HEAD, RoHS, M5 X 16			240
-	-	-	1	2063440-2	AIR FEED MODULE			238
-	-	1	-	2119740-2	TAG, IDENTIFICATION			213
-	-	1	-	1901094-3	SPACER, FEEDER			198
-	-	-	2	21045-3	RING, RETAIN, EXTERN, 3/16 CRESCENT			172
-	1	1	1	994969-1	MAGNET, RARE EARTH HIGH ENERGY			166
-	REF	REF	REF	994970-2	COUNTER, MAGNETIC			164
-	-	-	1	240638-1	SPRING, FEED FINGER			163
-	1	1	1	8-21084-1	O-RING, .801 ID, .070 DIA. MAT.			152
-	-	-	1	2119641-2	FEED CAM, AIR FEED			151
-	1	1	1	2119798-2	DETENT PIN			145
-	1	1	1	2079383-8	SCR, BHSC, RoHS (M4 X 16)			144
-	4	4	4	2168400-5	SHCS, LOW HEAD, RoHS, M4 X 20			143
-	1	1	1	1-2119656-0	APPLICATOR BASIC ASSEMBLY, SF			141
-	1	1	1	2161312-1	RAM, STEPPED, ASIAN STYLE, SIDE FEED			140
-	1	1	1	2119092-2	BOLT, ADJUSTMENT			139
-	-	-	1	3-23627-7	PIN, RETAIN, GRVD, 3/16 X .854			137
-	-	-	1	2119799-1	HOLDER, FEED FINGER, AF			136
-	-	REF	-	SEE NOTE 4	MEMORY CHIP, PROGRAMMED			135
-	-	1	-	1633743-1	SERVO FEED LATCH ASM			133
-	-	REF	-	2119944-1	FEED FINGER ASSEMBLY, SF			117
-	1	1	1	2119955-1	ASSY, LUBRICATOR, SIDE FEED			113
-	1	1	1	1-455888-0	SPACER, CRIMPER			82
-	1	1	1	2119956-1	DOCUMENTATION PACKAGE			71
-	1	-	1	2119740-1	TAG, IDENTIFICATION			67
-	2	2	2	2168078-1	SCREW, DRIVE, RH, RoHS, 2 x .188			66
-	1	1	1	2119793-1	LIMITER, ADJUSTMENT BOLT			63
-	3	3	3	992763-5	SCR, SET, SOC, CONE POINT, M3 X 4.0			62
-	-	-	1	5-18022-5	SCR, HEX HD CAP, M4 X 6.0			59
-	-	-	1	1338685-1	PAWL, FEED			56
-	2	2	2	1-2168083-0	SCR, SKT HD CAP, RoHS, M4 X 10			53
-	1	1	1	5018030-1	NUT, HEX, REG, RoHS, M3			52
-	1	1	1	811242-5	BUMPER, HOLD DOWN			51
-	1	1	1	690753-2	SPACER, TONKER			50
-	-	-	1	18023-9	SCR, SKT HD CAP M4 X 6.0			49
-	1	1	1	1-2079383-5	SCR, BHSC, RoHS (M8 X 40)			41
-	1	1	1	2119645-1	DISC, NUMBERED FA WIRE ADJUSTMENT			40
-	1	1	1	2119957-1	APPLICATOR SHIM PACK			39
-	1	1	1	2119644-3	RAM WASHER, PRECISION			38
-	1	1	1	1752356-1	SUPPORT, TERMINAL			34
-	2	2	2	2079383-5	SCR, BHSC, RoHS (M4 X 20)			33
-	1	1	1	2161328-1	HEX HEAD, FLANGED, M5 x 8mm LONG			32
-	1	1	1	1-1320908-2	SPACER, STRIP GUIDE			30
-	1	1	1	2119959-1	ASSEMBLY, STRIP GUIDE			29
-	1	1	1	455888-3	SPACER, CRIMPER			28
-	1	1	1	1320928-6	STRIP GUIDE			24
-	1	1	1	2168083-2	SCR, SKT HD CAP, RoHS, M4 X 8.0			21
-	2	2	2	1-18028-2	WASHER, FLAT, REG M4			20
-	1	1	1	2119533-1	STRIPPER, SIDE FEED			19
-	1	1	1	2119806-1	INSERT, SHEAR			13
-	1	1	1	3-22280-3	SPRING, COMPRESSION			12
-	1	1	1	1-356885-4	STOP, SHEAR			11
-	1	1	1	2119805-1	SHEAR HOLDER, FRONT			10
-	1	1	1	318707-1	FLOATING SHEAR, FRONT			9
-	1	1	1	1633137-7	ANVIL, COMBINATION .140			8
-	-	-	-	-	-			7
-	-	-	-	-	-			6
-	1	1	1	1-2119757-2	DEPRESSOR, SHEAR			5
-	1	1	1	4-238011-5	BLOCK, CRIMPER SPACER			4
-	1	1	1	4-1803016-1	CRIMPER, INSULATION F			3
-	1	1	1	1-455888-0	SPACER, CRIMPER			2
-	1	1	1	2-456411-2	CRIMPER, WIRE PREMIUM			1

DIMENSIONS:		TOLERANCES UNLESS OTHERWISE SPECIFIED:		DWG		NAME	
mm	0 PLC ±.5	1 PLC ±0.5	2 PLC ±0.13	3 PLC ±0.013	4 PLC ±0.001	ANGLES ±.0001	FINISH
MATERIAL				WEIGHT		SCALE	
-				-		1:2	

ITEM NO	DESCRIPTION	ITEM NO
-77	-27	-25
-22	PART NO	DESCRIPTION

CHK	DATE	APVD	DATE
H. HUANG	03JUN2014		
L. ZHANG	03JUN2014		
U. GUO	03JUN2014		

SIZE	CAGE CODE	DRAWING NO	RESTRICTED TO
A1	00779	C=2266315	-

Customer Accessible Production Drawing

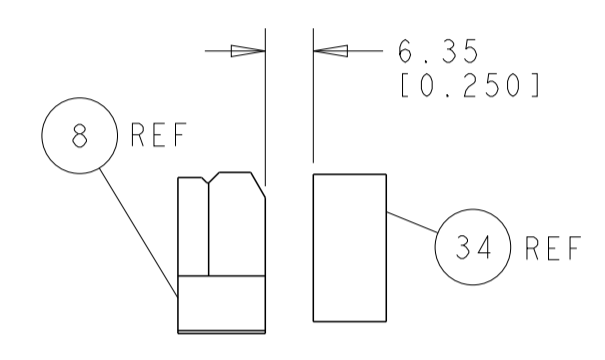
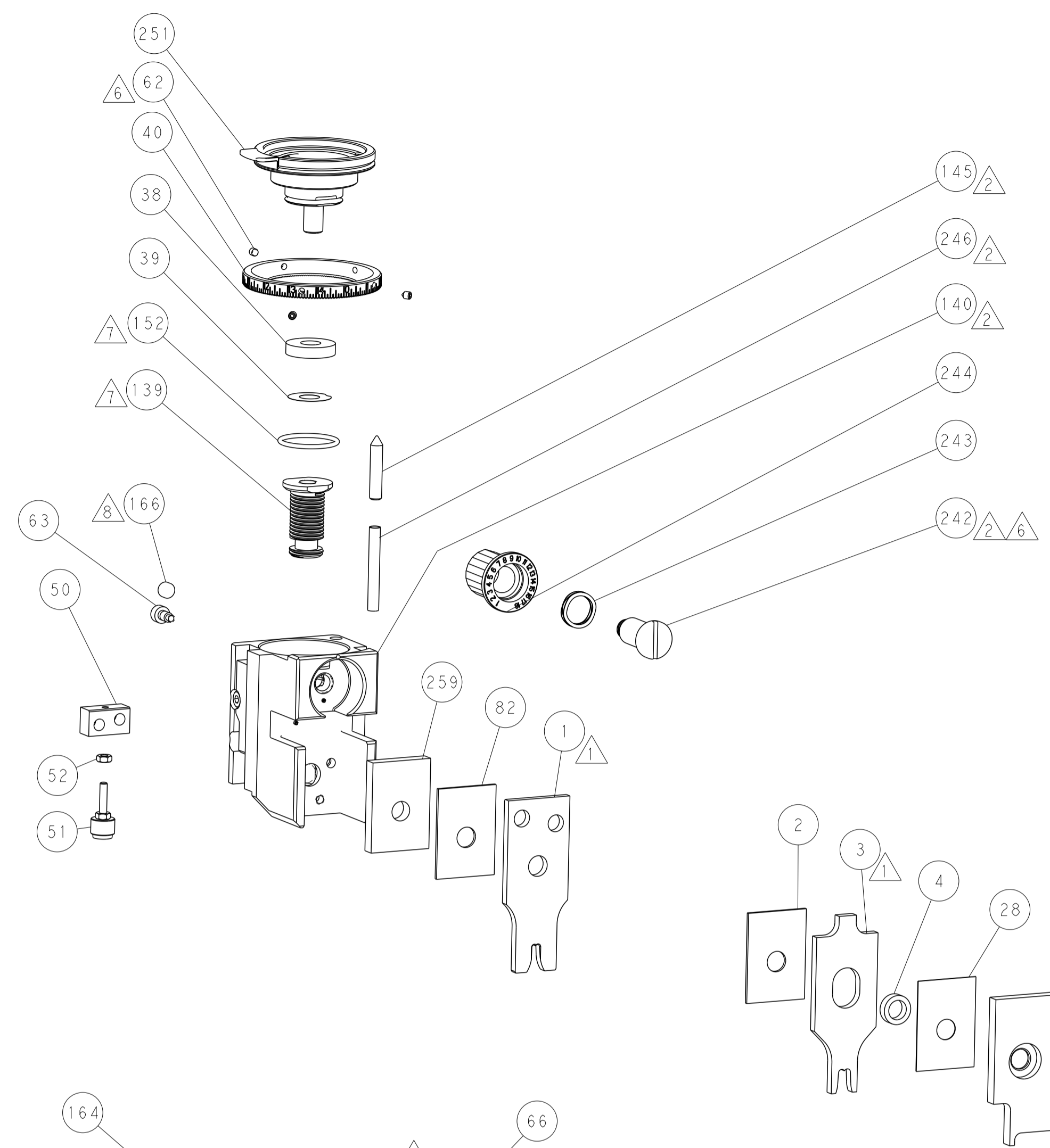
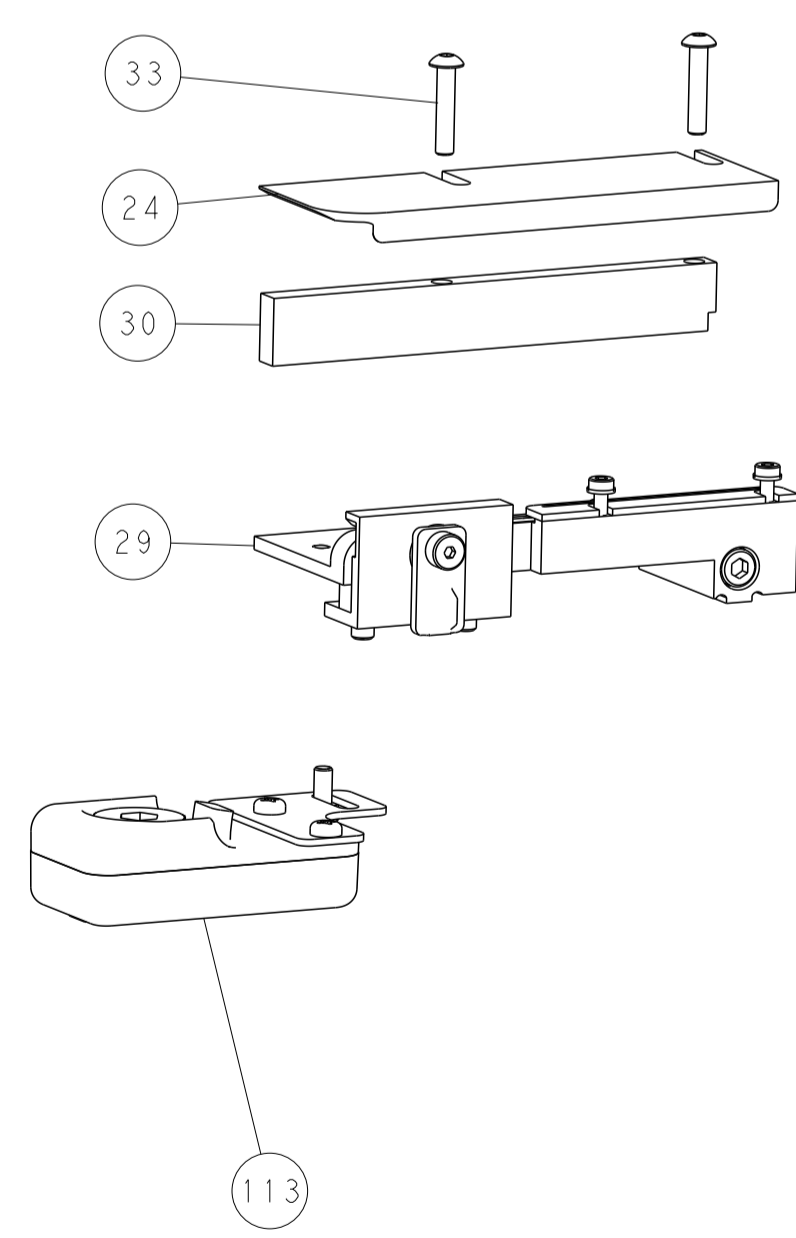
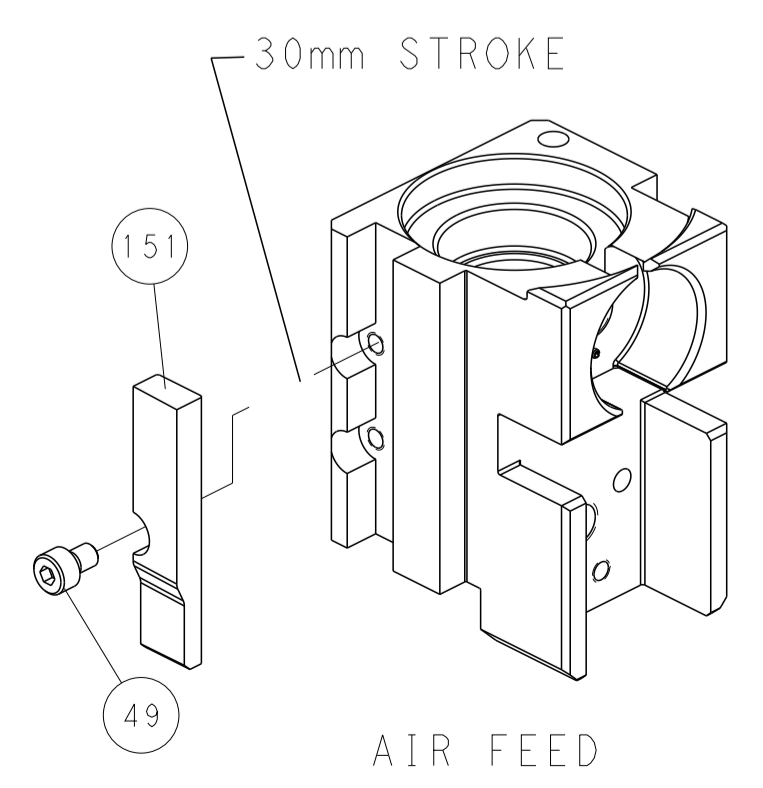
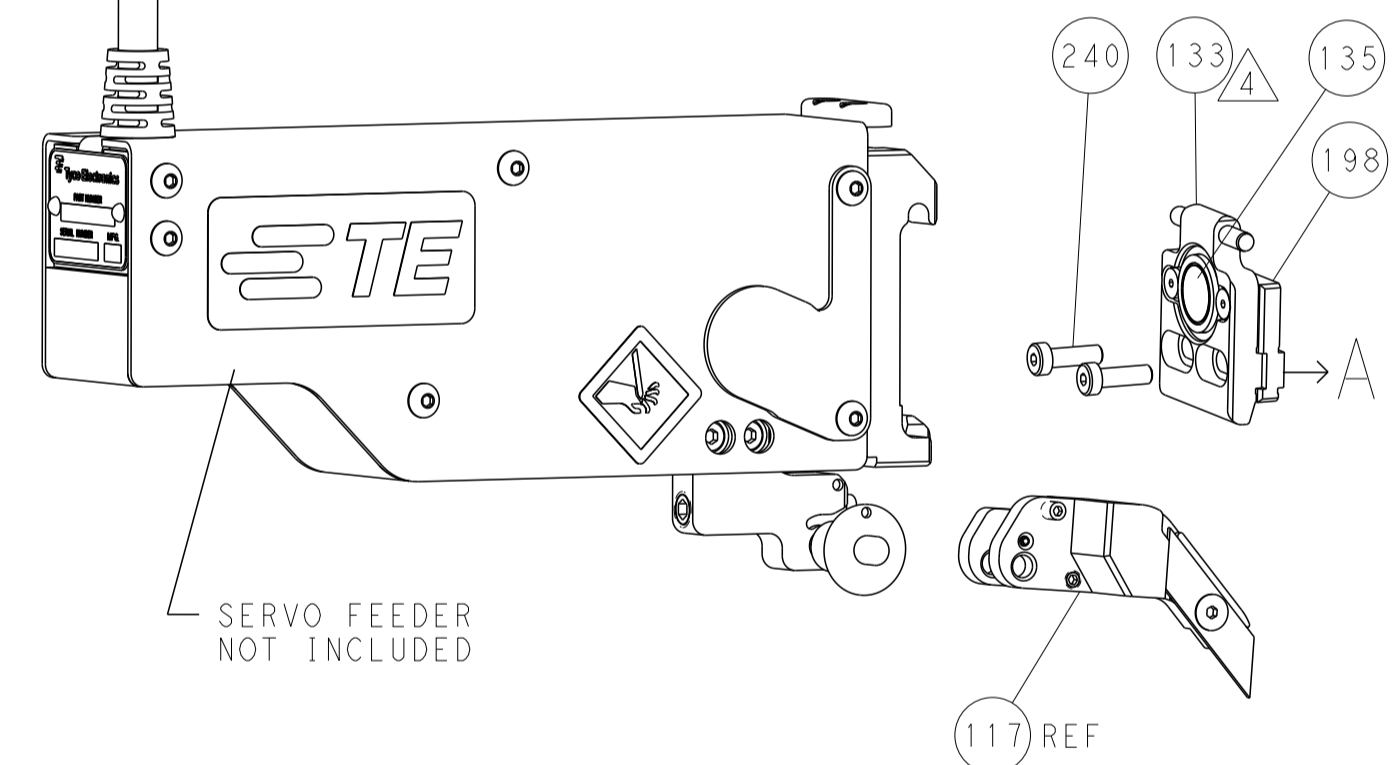
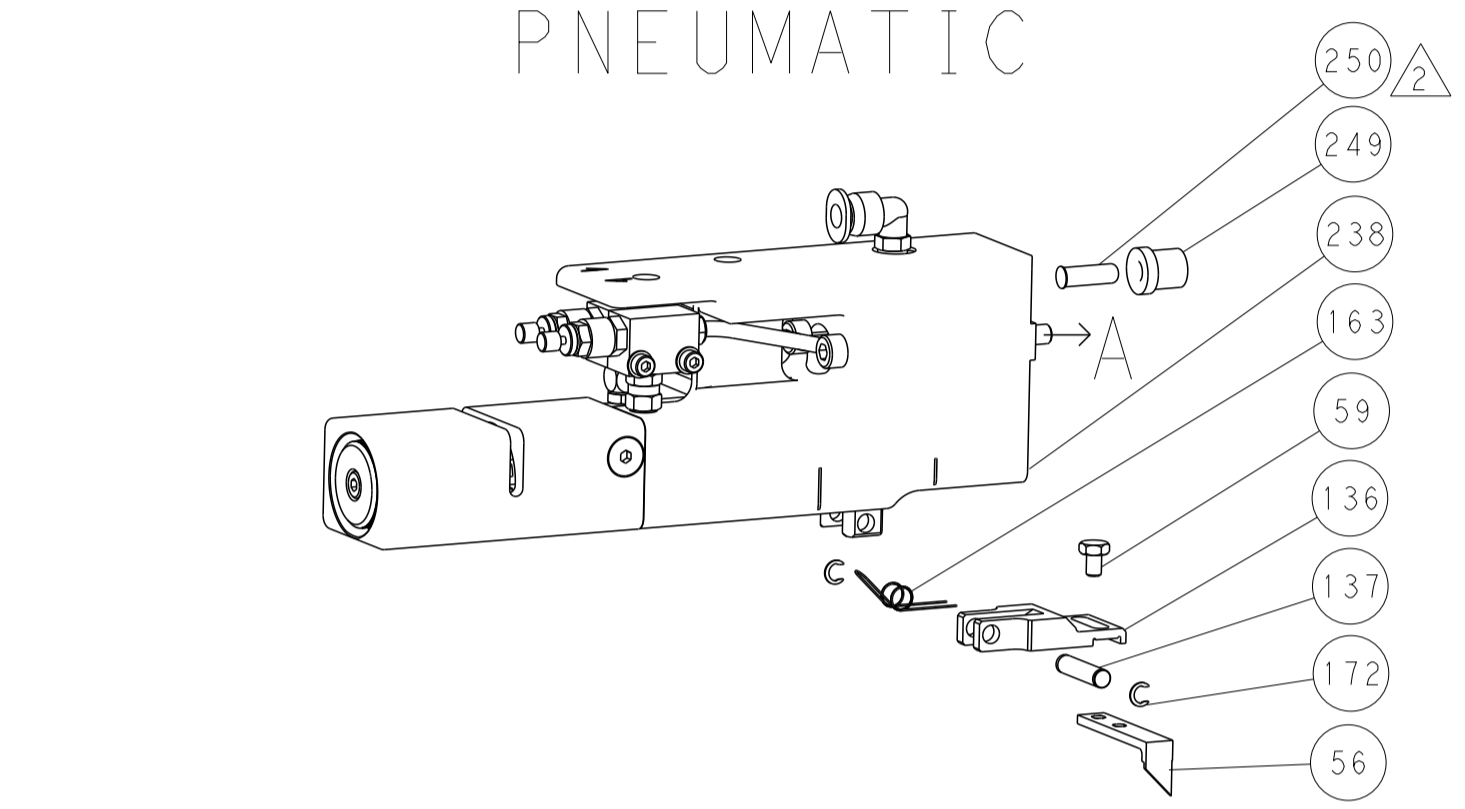
LOC	DIST	REV	DATE	BY	APPV
A	66				

FEED TYPE

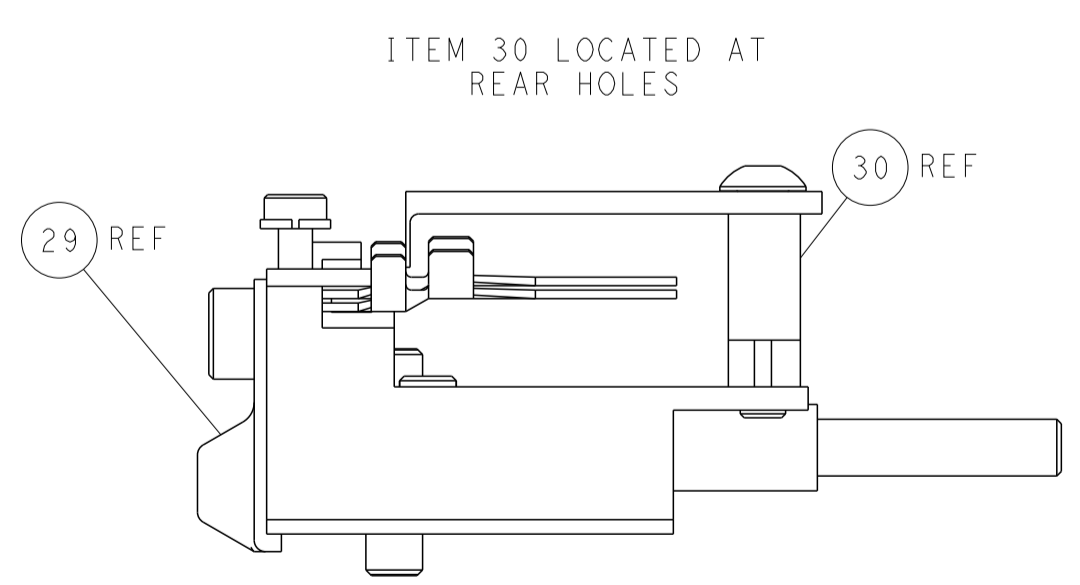
PNEUMATIC

SERVO LATCH PLATE

CAM POSITION



TERMINAL SUPPORT LOCATION



FEED TRACK POSITION GUIDE BY INSULATION BARREL

PACIFIC VERSION
 Shown on sheets 3 of 4 & 4 of 4
 (Atlantic version shown on sheets 1 of 4 & 2 of 4)

DIMENSIONS: mm 		TOLERANCES UNLESS OTHERWISE SPECIFIED: 0 PLC ±.5 1 PLC ±0.5 2 PLC ±0.13 3 PLC ±0.013 4 PLC ±0.001 ANGLES ±.0001 FINISH		DWN: H. HUANG 03JUN2014 CHK: L. ZHANG 03JUN2014 APVD: H. GUO 03JUN2014 PRODUCT SPEC APPLICATION SPEC WEIGHT Customer Accessible Production Drawing		NAME: TE Connectivity Harrisburg, PA 17105-3608 Ocean Side Feed Applicator SIZE: A1 CAGE CODE: 00779 DRAWING NO: C=2266315 SCALE: 1:2 SHEET: 4 of 4 REV: A	
-----------------------	--	---	--	--	--	---	--