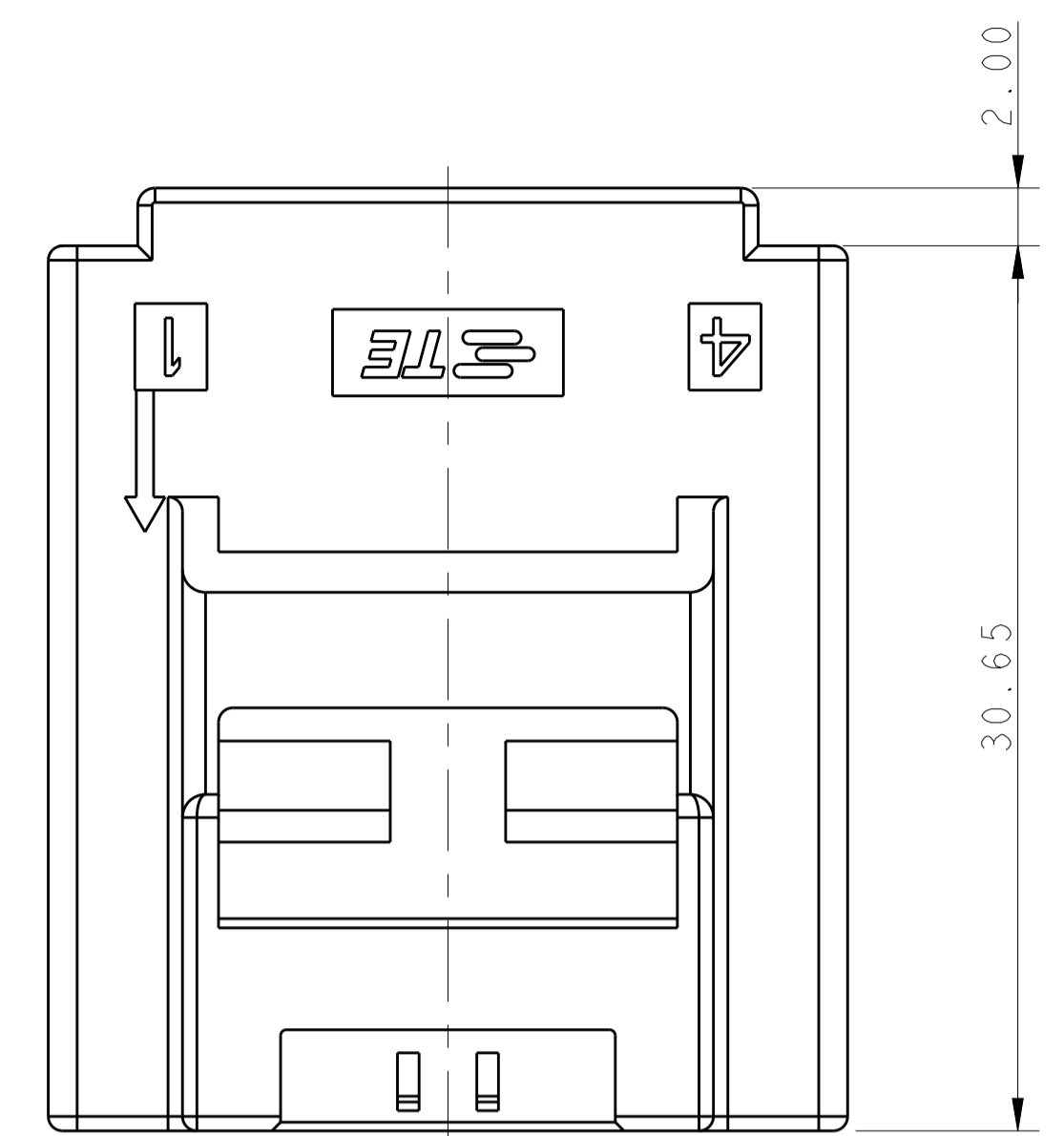
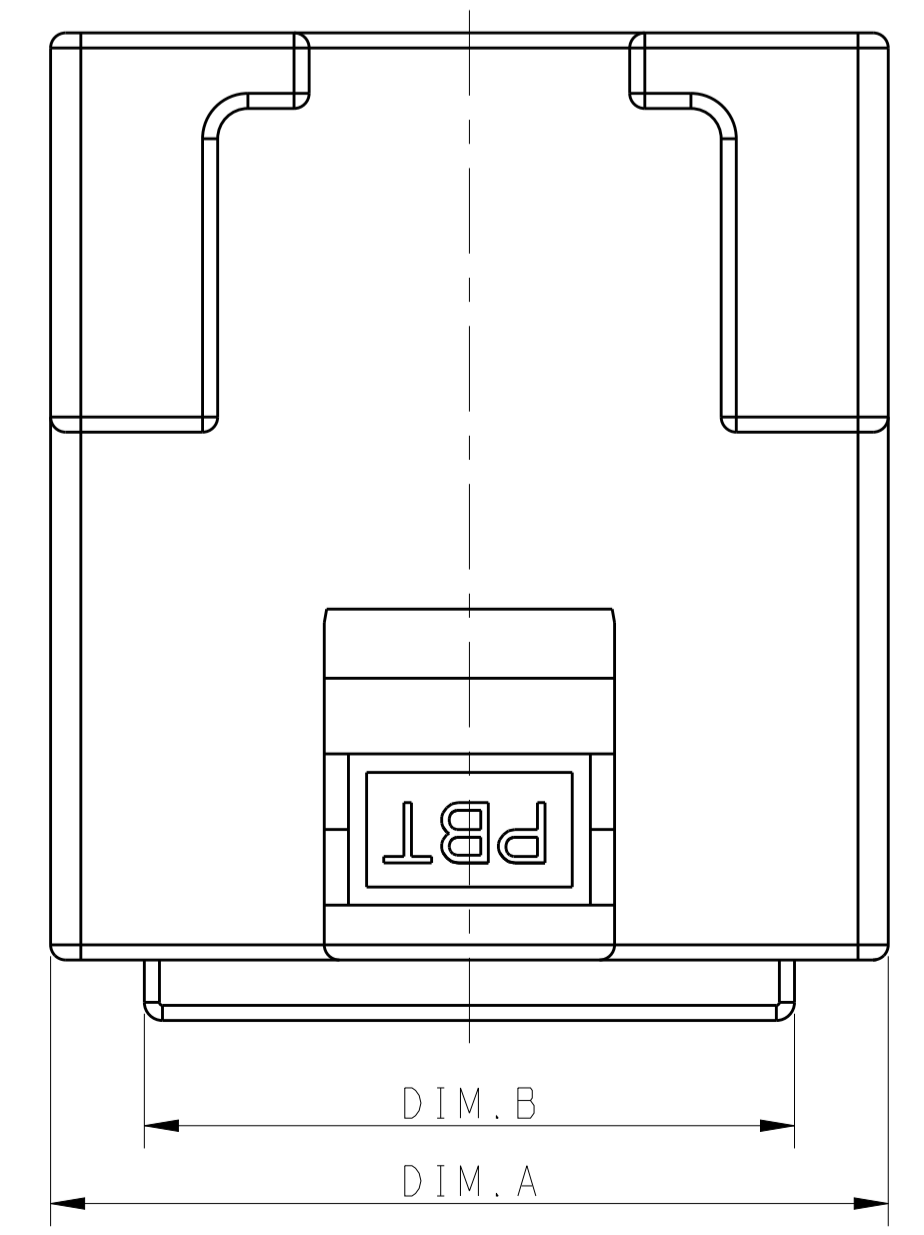
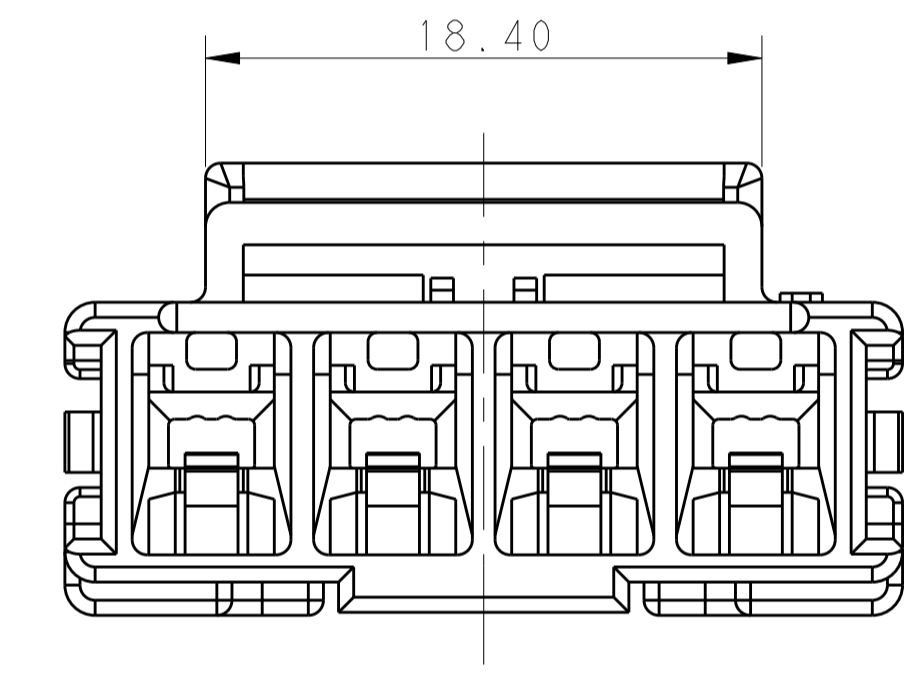
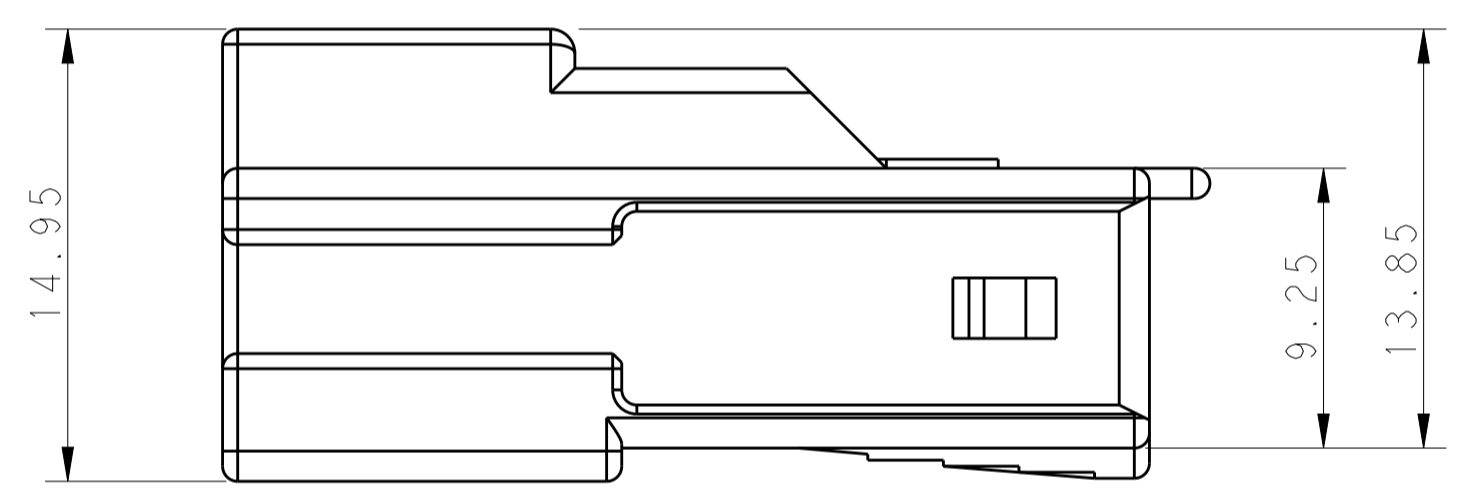
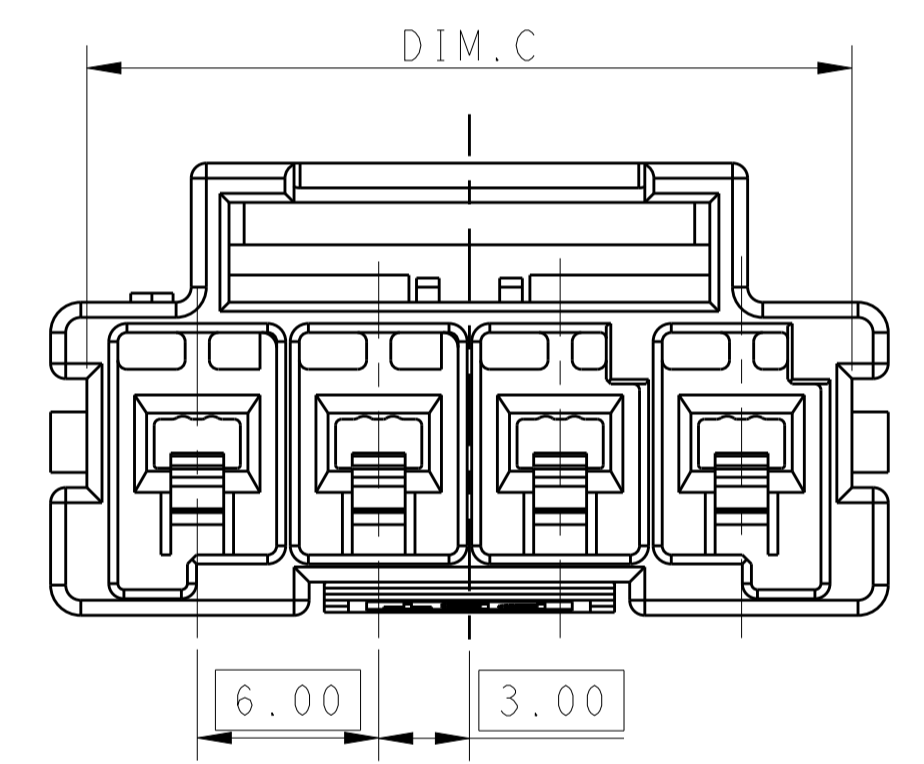


LOC		DIST		REVISIONS			
P	LTN	DESCRIPTION	DATE	DWN	APVD		
C		REVISED PER ECR-16-003247	14JUL2016	BW	GJ		



- △ MATERIAL:
 LEVEL 1: PBT, STANDARD TEMPERATURE 105°C.
 KEY A: NATURAL; KEY B: PURPLE; KEY C: BLUE; KEY D: YELLOW
- LEVEL 2: NYLON, HIGH TEMPERATURE 150°C
 KEY A: LIGHT GREY; KEY B: RED; KEY C: BLACK; KEY D: NATURAL
- 2 MATERIAL MARK:
 LEVEL 1: PBT, LEVEL 2: HDT
- 3 APPLICABLE CONTACT P/N
 TAB CONTACT: 1971238/1971780/82/84/86/88-*, 2238067-*
- 4 MATING CONN, P/N
 PLUG HSG: *-1971773-
 TPA (LOCK PLATE): *-1971777-*
- 5 THIS DRAWING DOES NOT PERTAIN TO RESTRICTED P/N 5-1971771-2.
- 6 THIS PRODUCT HAS NOT COMPLETED VALIDATION TESTING

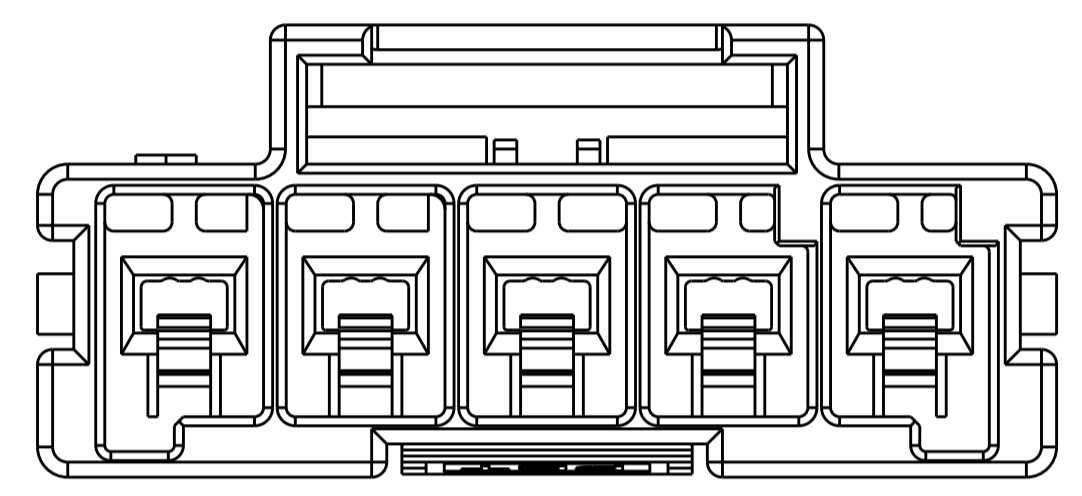
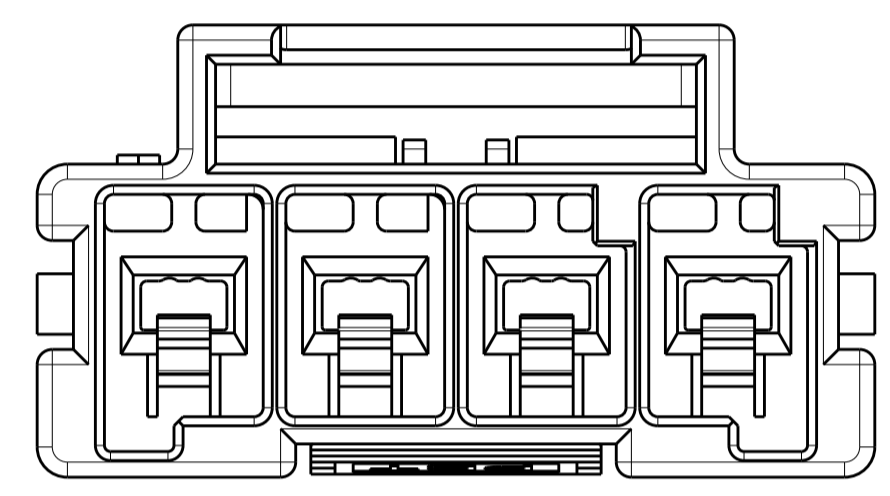
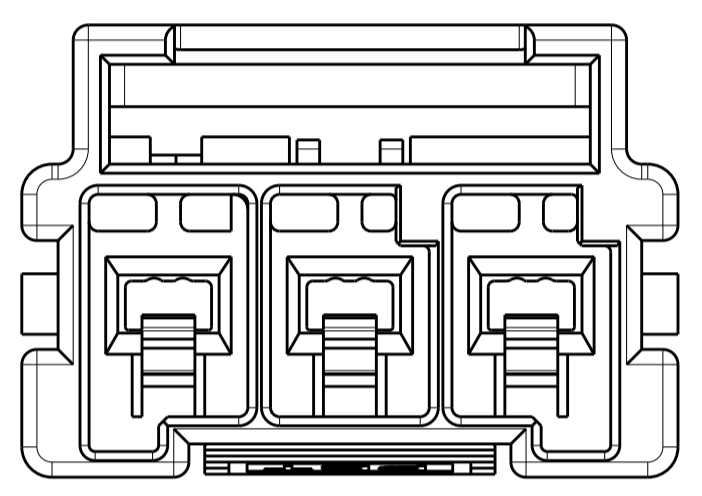
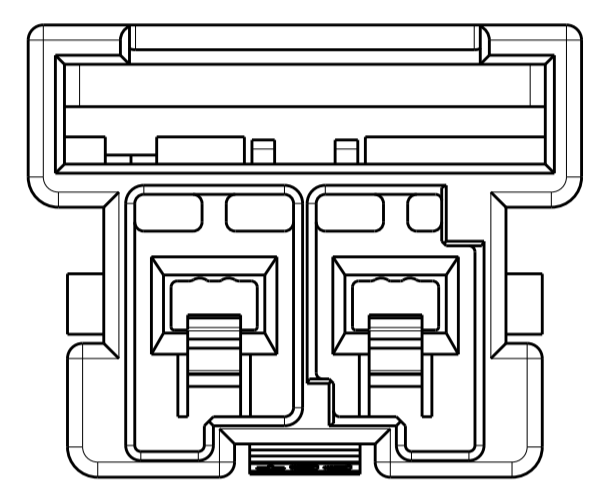
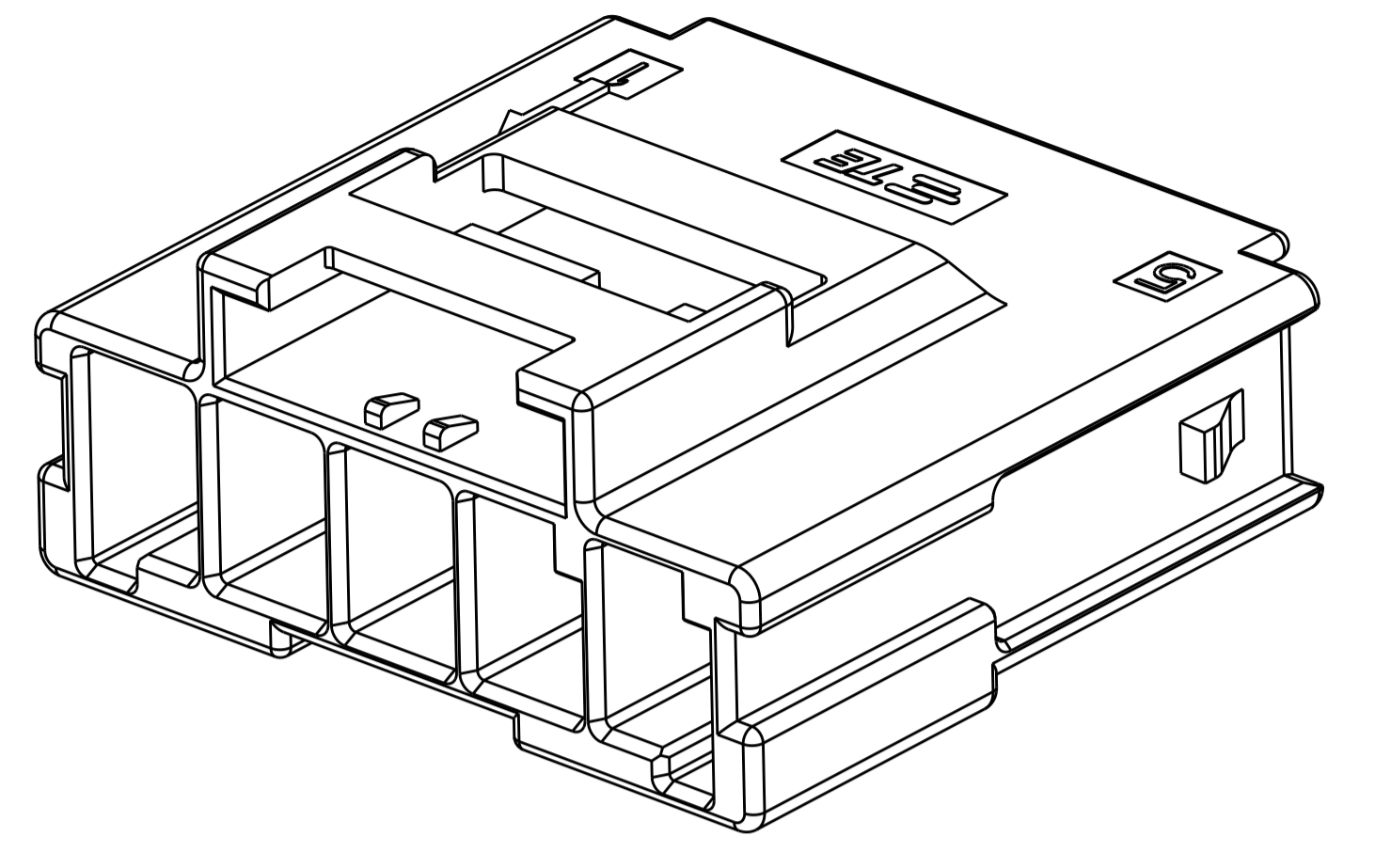
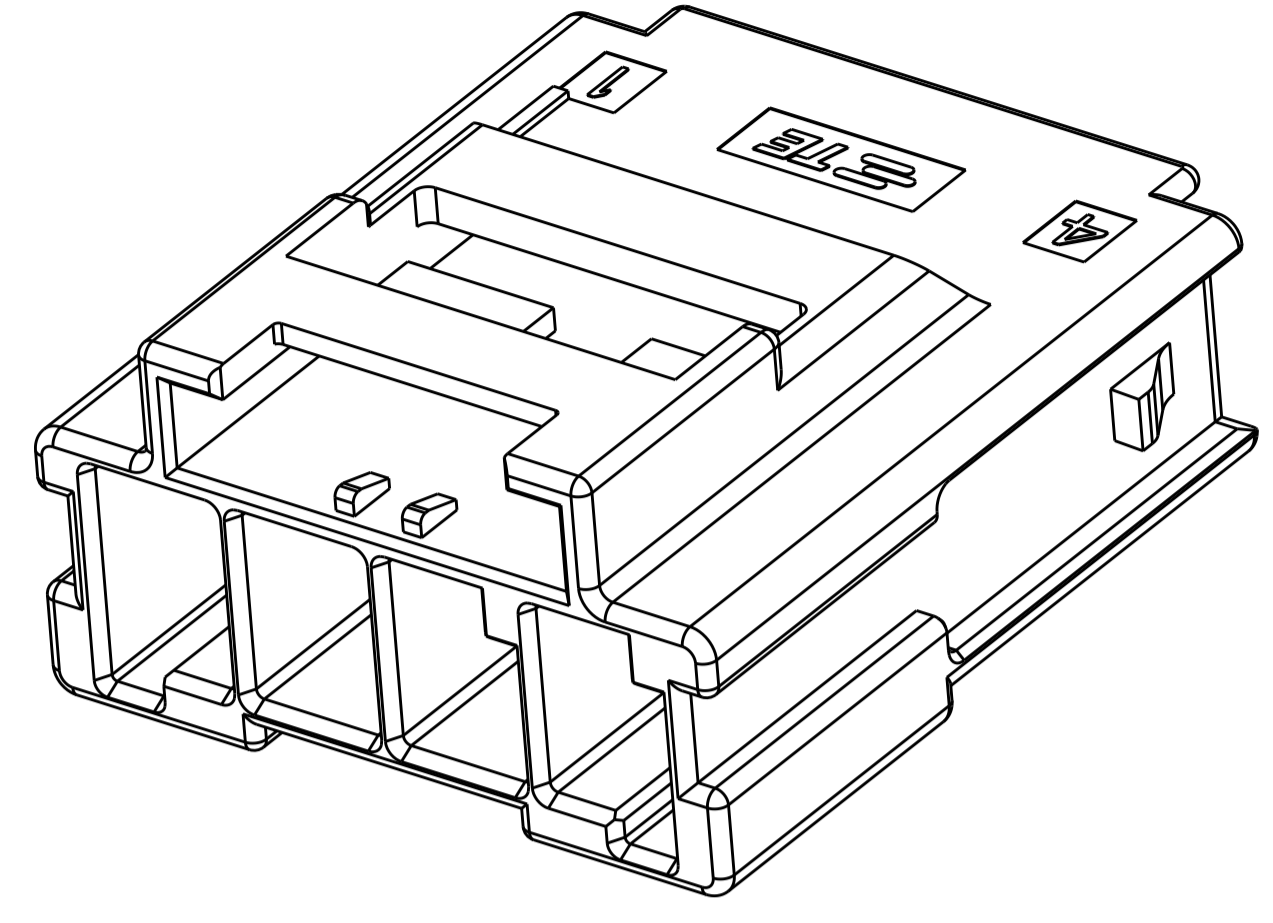
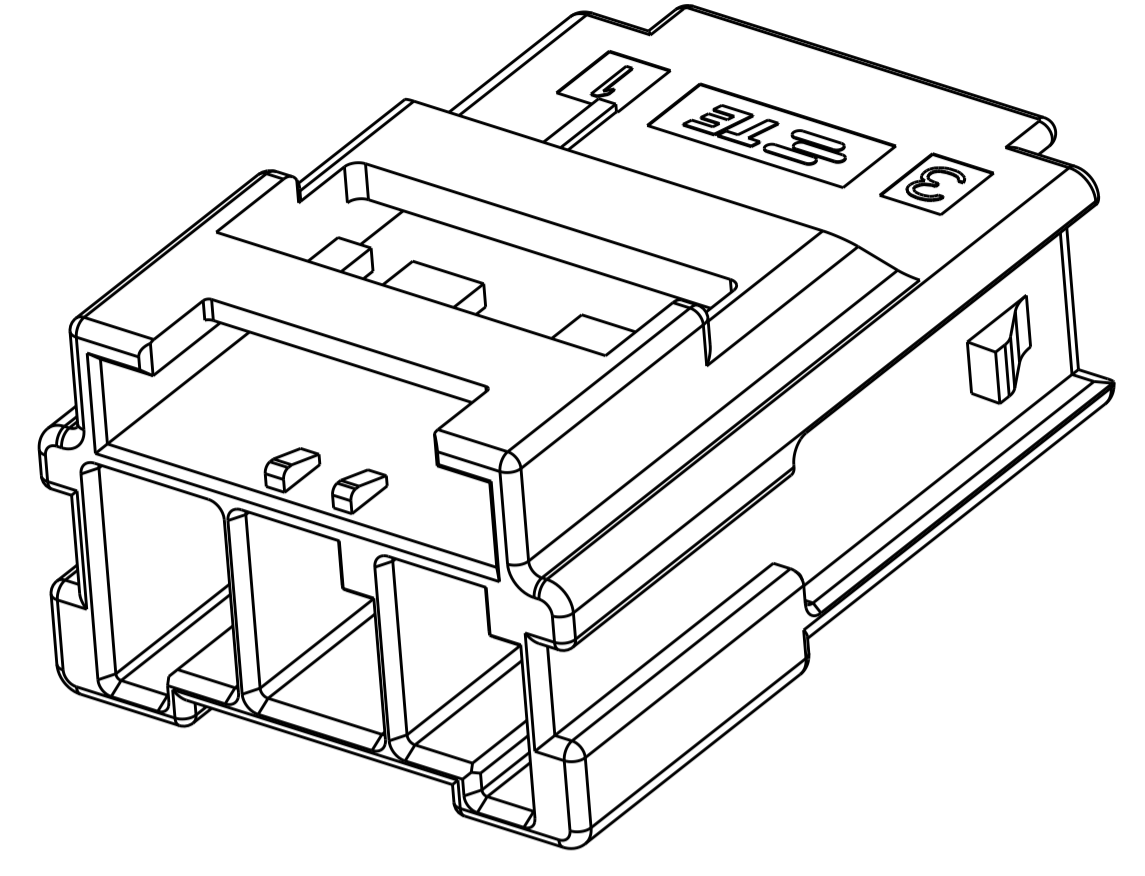
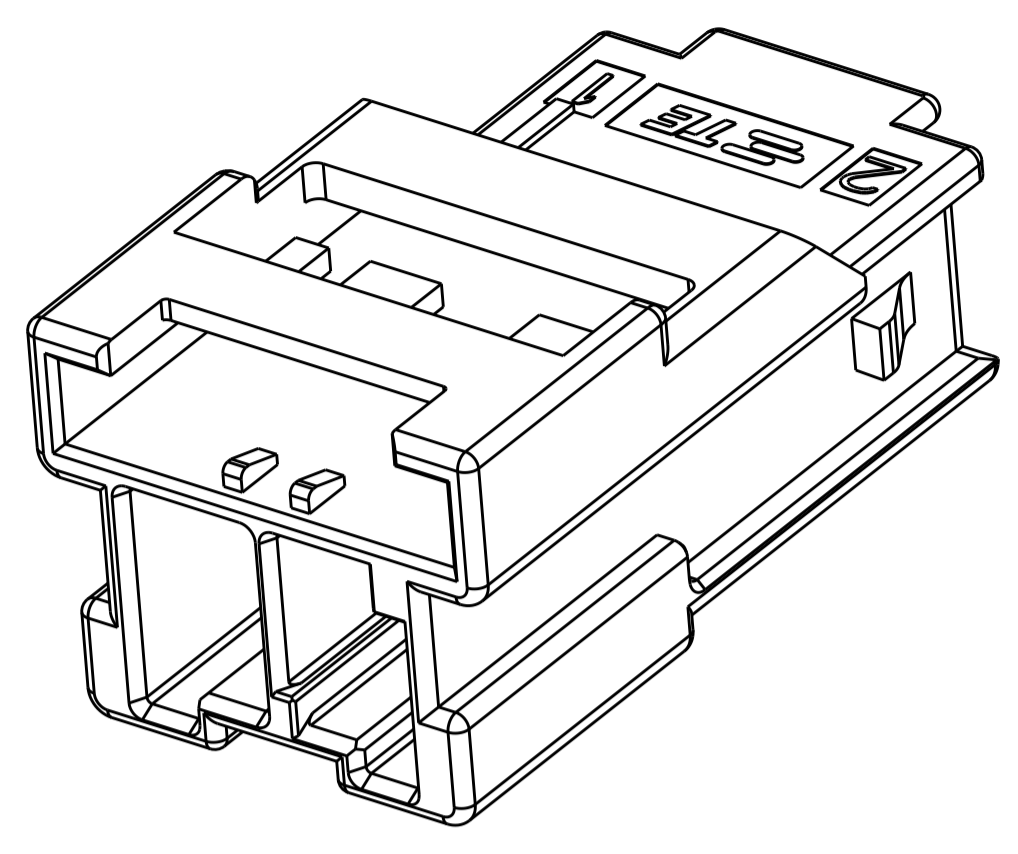


POS.	DIM. A	DIM. B	DIM. C
1*5	33.70	27.50	31.30
1*4	27.70	21.50	25.30
1*3	21.70	15.50	19.30
1*2	15.70	9.50	13.30

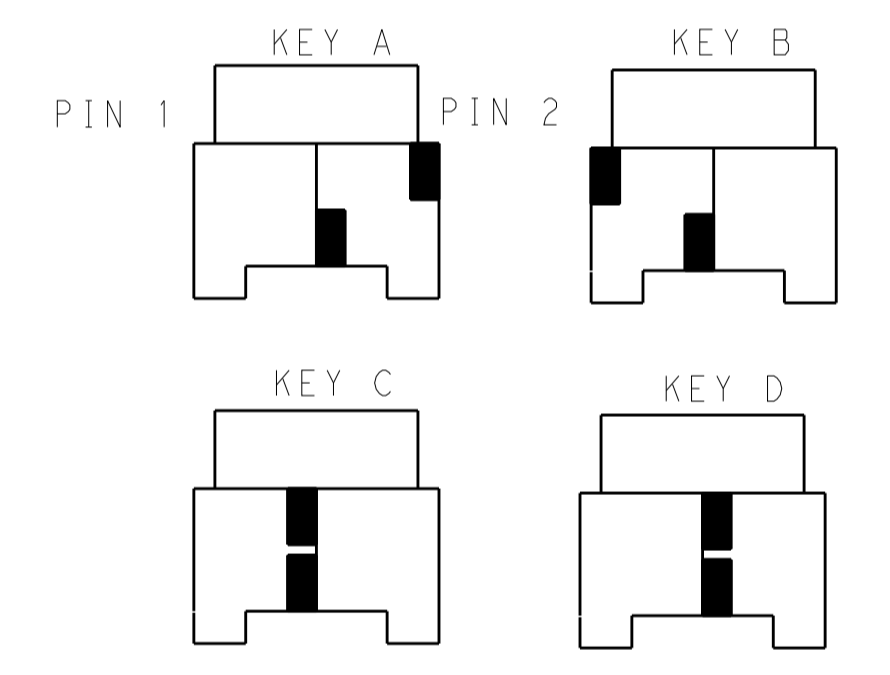
THIS DRAWING IS A CONTROLLED DOCUMENT.

DIMENSIONS:	TOLERANCES UNLESS OTHERWISE SPECIFIED:	DWN TOMMY WU 09JUL2012	
mm	0 PLC ±0.35	CHK HAPYE WU 09JUL2012	
	2 PLC ±0.25	APVD YUHONG MAO 09JUL2012	
	3 PLC ±		
	4 PLC ±	NAME CAP HOUSING, FREE HANGING, SINGLE ROW POWER TRIPLE LOCK	
	ANGLES ±	PRODUCT SPEC 108-106118	
	FINISH -	APPLICATION SPEC 114-106118	
MATERIAL		SIZE CAGE CODE DRAWING NO. RESTRICTED TO	
		A100779C=1971771	
		WEIGHT	
		Customer Drawing	
		SCALE	
		SHEET 1 OF 2	
		REV C	

LOC		DIST		REVISIONS				
				REV	DESCRIPTION	DATE	OWN	APVD
-	-	-	-	-	SEE SHEET 1	-	-	-

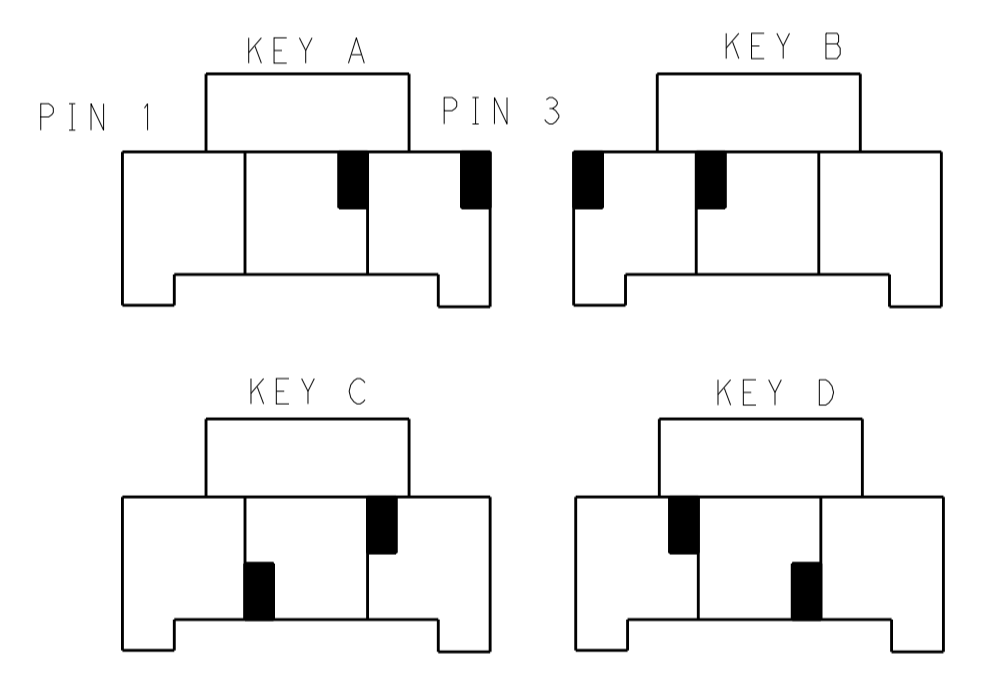


1*2 POSITIONS



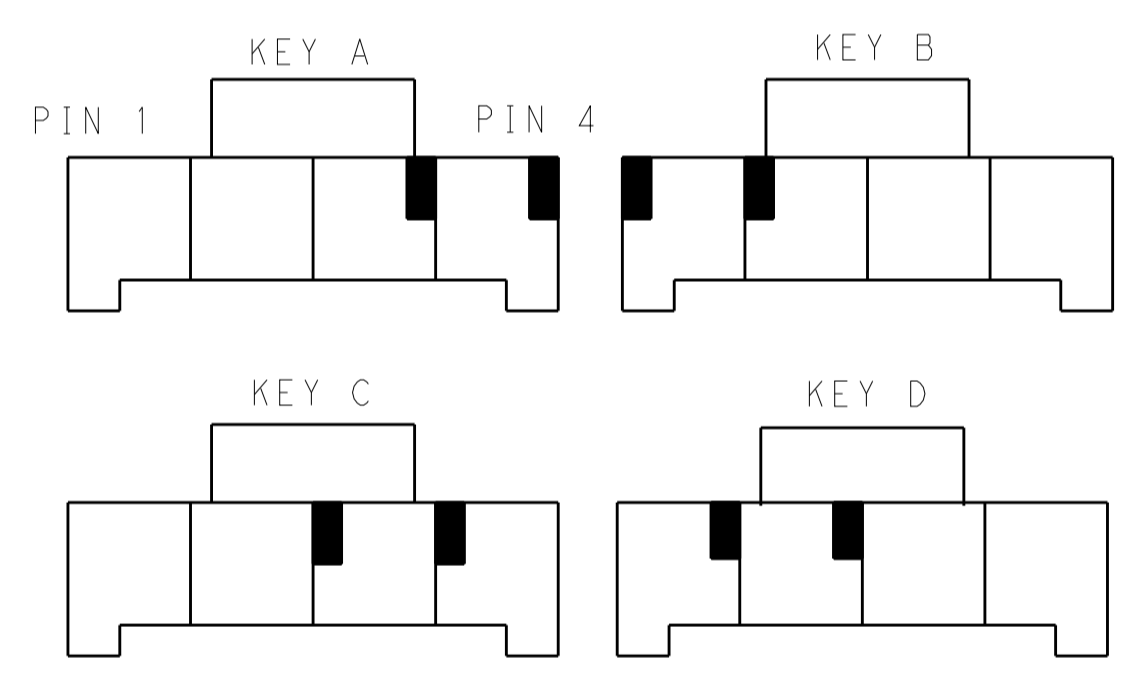
KEYING FOR 1*2 POS.

1*3 POSITIONS



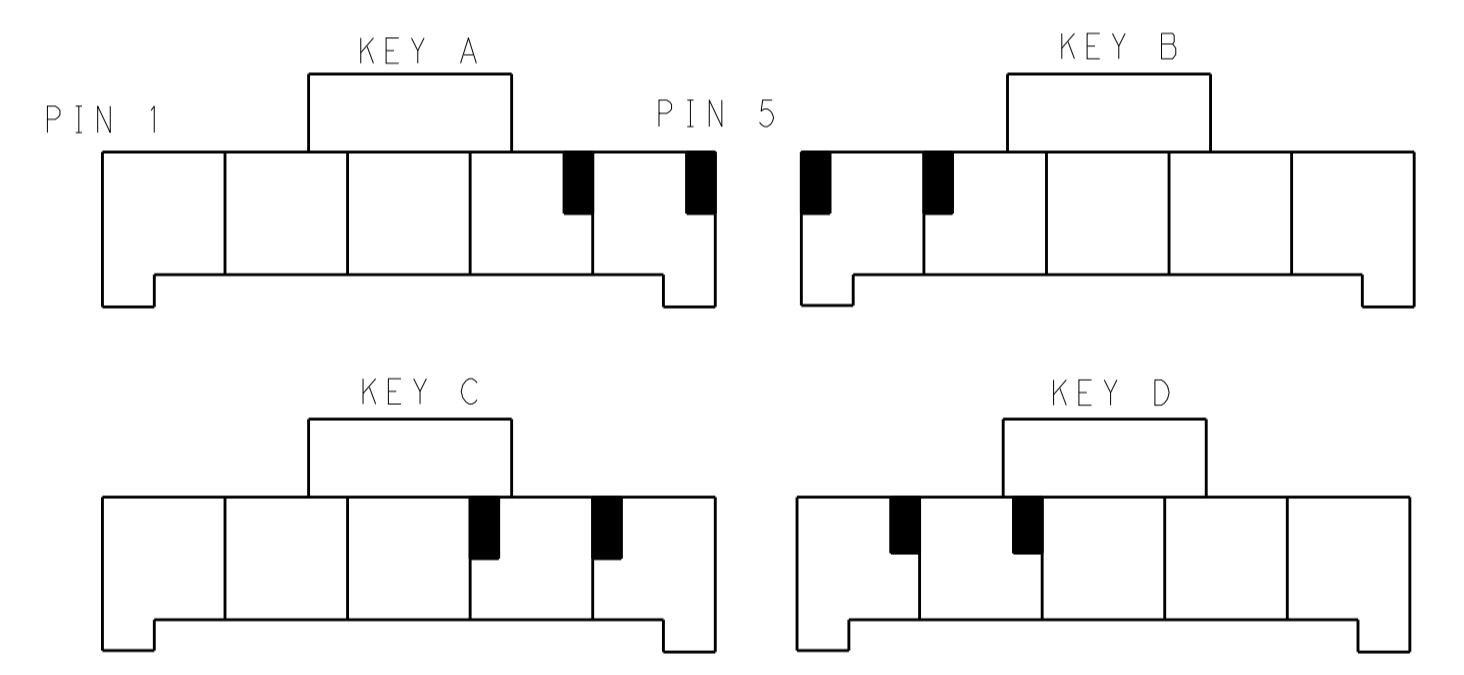
KEYING FOR 1*3 POS.

1*4 POSITIONS



KEYING FOR 1*4 POS.

1*5 POSITIONS



KEYING FOR 1*5 POS.

POS.	MATERIAL	KEY	P/N
1*5	LEVEL 1	KEY A	1-1971771-7
		KEY B	2-1971771-7
		KEY C	3-1971771-7
		KEY D	4-1971771-7
	LEVEL 2	KEY A	5-1971771-7
		KEY B	6-1971771-7
		KEY C	7-1971771-7
		KEY D	8-1971771-7
1*4	LEVEL 1	KEY A	1-1971771-4
		KEY B	2-1971771-4
		KEY C	3-1971771-4
		KEY D	4-1971771-4
	LEVEL 2	KEY A	5-1971771-4
		KEY B	6-1971771-4
		KEY C	7-1971771-4
		KEY D	8-1971771-4

POS.	MATERIAL	KEY	P/N
1*3	LEVEL 1	KEY A	1-1971771-3
		KEY B	2-1971771-3
		KEY C	3-1971771-3
		KEY D	4-1971771-3
	LEVEL 2	KEY A	5-1971771-3
		KEY B	6-1971771-3
		KEY C	7-1971771-3
		KEY D	8-1971771-3
1*2	LEVEL 1	KEY A	1-1971771-2
		KEY B	2-1971771-2
		KEY C	3-1971771-2
		KEY D	4-1971771-2
	LEVEL 2	KEY A	9-1971771-2
		KEY B	6-1971771-2
		KEY C	7-1971771-2
		KEY D	8-1971771-2

THIS DRAWING IS A CONTROLLED DOCUMENT.		OWN: TOMMY_WU 09JUL2012	TE Connectivity
DIMENSIONS: mm		CHK: HAPYE_WU 09JUL2012	
TOLERANCES UNLESS OTHERWISE SPECIFIED:		APVD: YUHWONG_MAO 09JUL2012	NAME: CAP HOUSING, FREE HANGING, SINGLE ROW POWER TRIPLE LOCK
0 PLC ±	1 PLC ±0.35	PRODUCT SPEC	SIZE: CAGE CODE DRAWING NO
2 PLC ±0.25	3 PLC ±	APPLICATION SPEC	RESTRICTED TO
4 PLC ±	ANGLES ±	114-106118	A100779C=1971771
MATERIAL	FINISH	WEIGHT	SCALE: SHEET 2 OF 2 REV C
Customer Drawing			