


NOTES: UNLESS OTHERWISE SPECIFIED

1.

NOTICE:	THIS IS A RoHS COMPLIANT COMPONENT/PRODUCT.
RoHS-6 	ALL ENGINEERING CHANGES MUST HAVE PRIOR APPROVAL BY THE DESIGN CENTER.

2. PLASTIC HOUSING: THERMOPLASTIC MATERIAL WITH FLAMMABILITY RATING UL 94V-0 OR BETTER.
3. CONTACT BASE MATERIAL: PHOSPHOR BRONZE.
4. CONTACTS UNDERPLATE: 50 MICROINCHES DUCTILE NICKEL.
5. CONTACTS PLATING: 50 MICRO-INCH GOLD PLATING.
6. PCB PINS: MATTE TIN ON COPPER ALLOY.
7. METAL SHIELD: NICKEL PLATING ON COPPER ALLOY.
8. JACK CAVITY CONFORMS TO FCC RULES AND REGULATIONS PART 68 SUBPART F.
9. PCB PLATING: EG.
10. SOLDERABILITY: CONFORMS TO ANSI/J-STD-002, IPC/EIA J-STD-003A.
11. OPERATING TEMPERATURE: 0°C TO +70°C
12. STORAGE TEMPERATURE: -20°C TO +125°C
13. JEDEC MOISTURE: LEVEL 1.
14. REVISION: MX1, MX2, ARE PRELIMINARY.

© Copyright, 2013. Pulse Electronics, Inc. All rights reserved. Drawing specifications subject to change without notice. (5/17/13)

PULSE CONFIDENTIAL
&
PROPRIETARY

PRODUCT DESCRIPTION

CONN,RJ45,2X8,10G,4C,PF

PS DRAWING

PS-2629.009-A

SHEET:

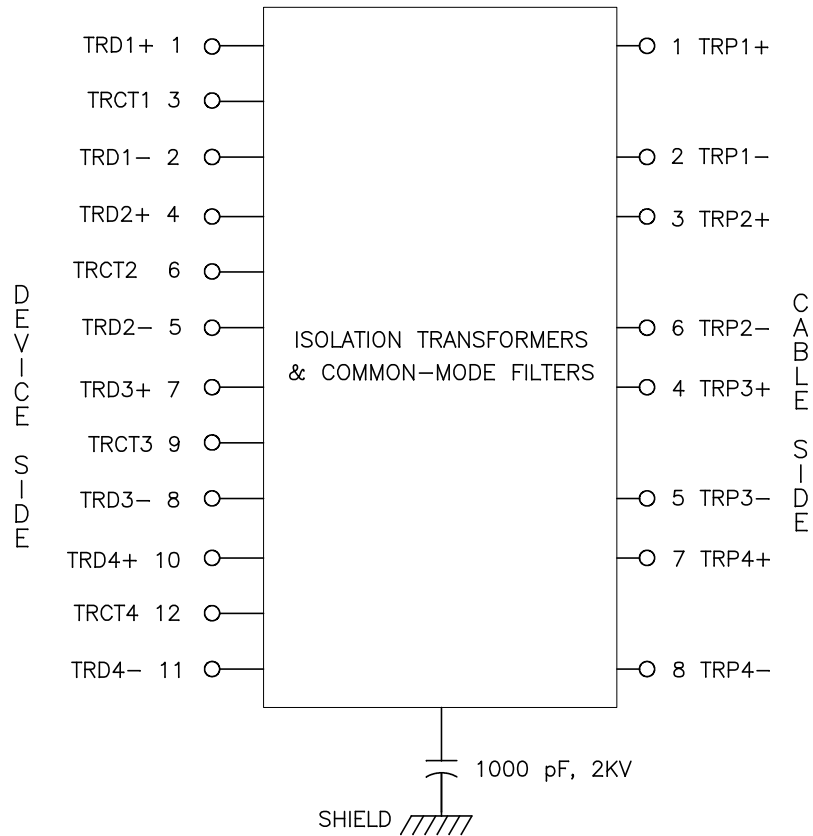
1

DWG. NO./ PART NO.

JT5-2810NL

REV.

M10

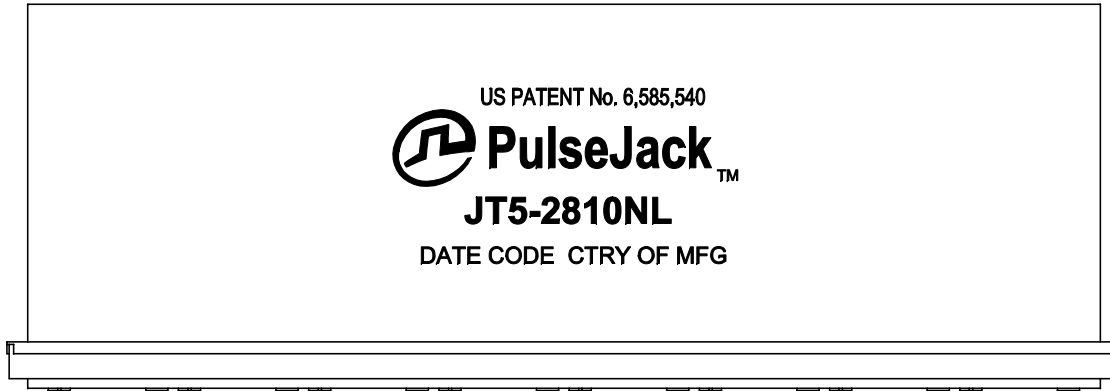


SCHEMATIC (EACH PORT)

ELECTRICAL CHARACTERISTICS AT +25°C UNLESS OTHER SPECIFIED

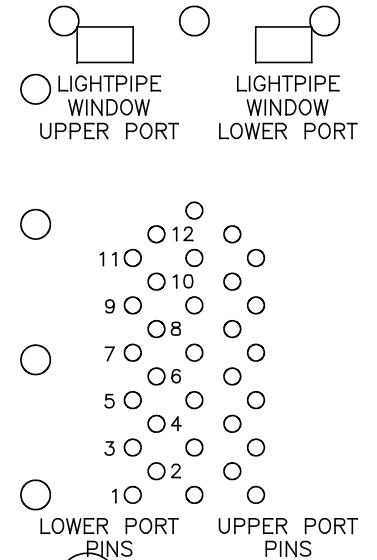
PARAMETER	SPECIFICATIONS		
OPERATING TEMP	0°C TO +70°C		
TURNS RATIO	1.00 ± 2%		
POLARITY	PER SCHEMATIC		
INSERTION LOSS	100 KHz	1-400 MHz	
	-3.0 dB MAX	-2.0 dB MAX (-1.4 dB TYP)	
RETURN LOSS (Z OUT = 100 OHM ± 1%)	1-100 MHz	100 MHz-500 MHz	
	-22 dB MIN	-22 + 20.75*LOG (f/100)	
INDUCTANCE (OCL)	180 uH MIN @ 100 kHz, 100 mV		
CROSSTALK, ADJACENT CHANNELS	1-100 MHz	100-500 MHz	
	-28 dB MIN	-19 dB MIN	
COMMON MODE REJECTION RATIO	1-40 MHz	40-100 MHz	100-500 MHz
	-30 dB MIN	-28 dB MIN	-26 dB MIN
COMMON TO DIFFERENTIAL MODE REJECTION (CDMR)	1-250 MHz	250-500 MHz	
	-30 dB MIN	-22 dB MIN	
CURRENT CARRYING CAPABILITY, RJ45 PINS 1-8	500 mA MAX		
INPUT - OUTPUT ISOLATION	2250 VDC MIN @ 60 SECONDS		

NOTE: f IS FREQUENCY IN MHZ.

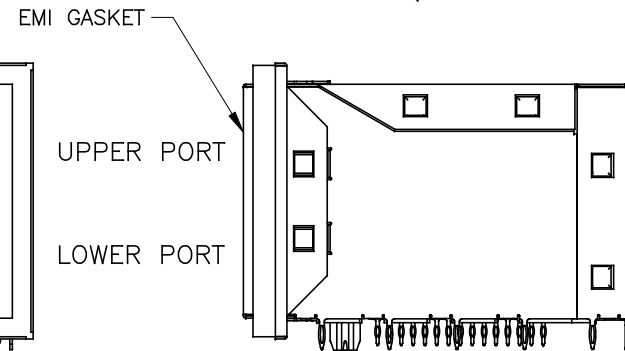
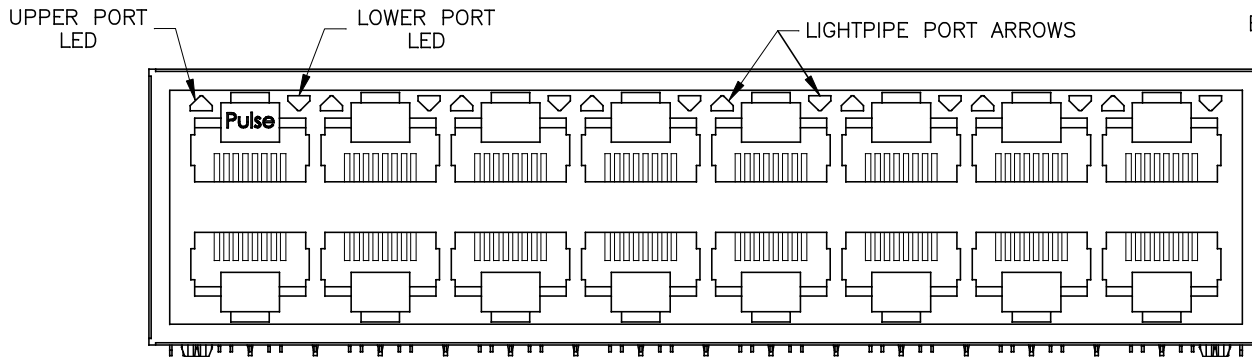


PIN ASSIGNMENT

- 1 TD1+
- 2 TD1-
- 3 CT1
- 4 TD2+
- 5 TD2-
- 6 CT2
- 7 TD3+
- 8 TD3-
- 9 CT3
- 10 TD4+
- 11 TD4-
- 12 CT4



PIN ASSIGNMENT VIEWED FROM COMPONENT SIDE (ONLY LEFTMOST 2 PORTS SHOWN)



© Copyright, 2013. Pulse Electronics, Inc. All rights reserved. Drawing specifications subject to change without notice. (5/17/13)

PULSE CONFIDENTIAL
&
PROPRIETARY

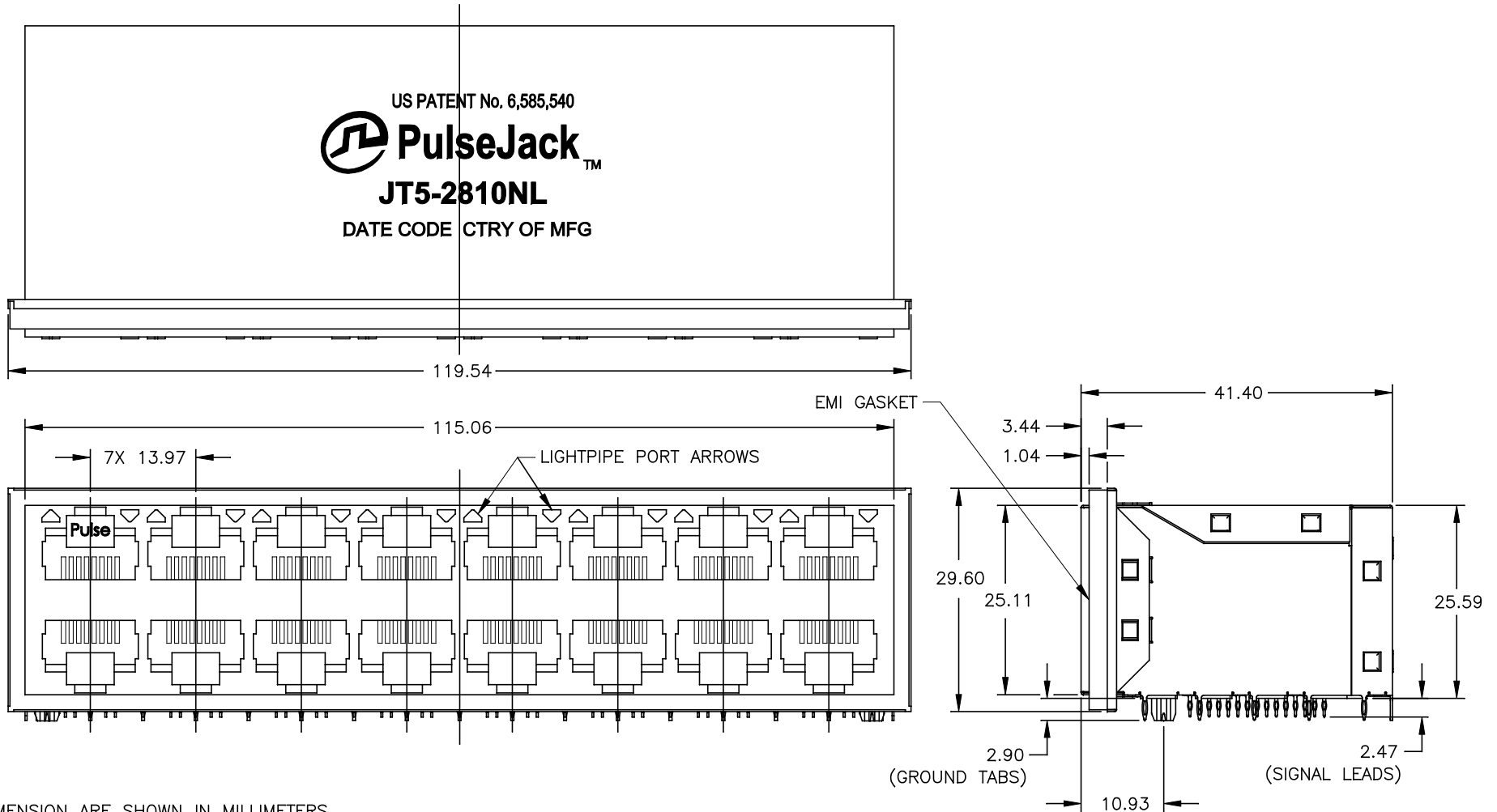
PRODUCT DESCRIPTION
CONN,RJ45,2X8,10G,4C,PF

PS DRAWING
PS-2629.009-A

SHEET:
3

DWG. NO./ PART NO.
JT5-2810NL

REV.
M10



ALL DIMENSION ARE SHOWN IN MILLIMETERS
UNLESS OTHERWISE SPECIFIED,
THE FOLLOWING TOLERANCES APPLY:

X.XX = ± 0.25

© Copyright, 2013. Pulse Electronics, Inc. All rights reserved. Drawing specifications subject to change without notice. (5/17/13)

PULSE CONFIDENTIAL
&
PROPRIETARY

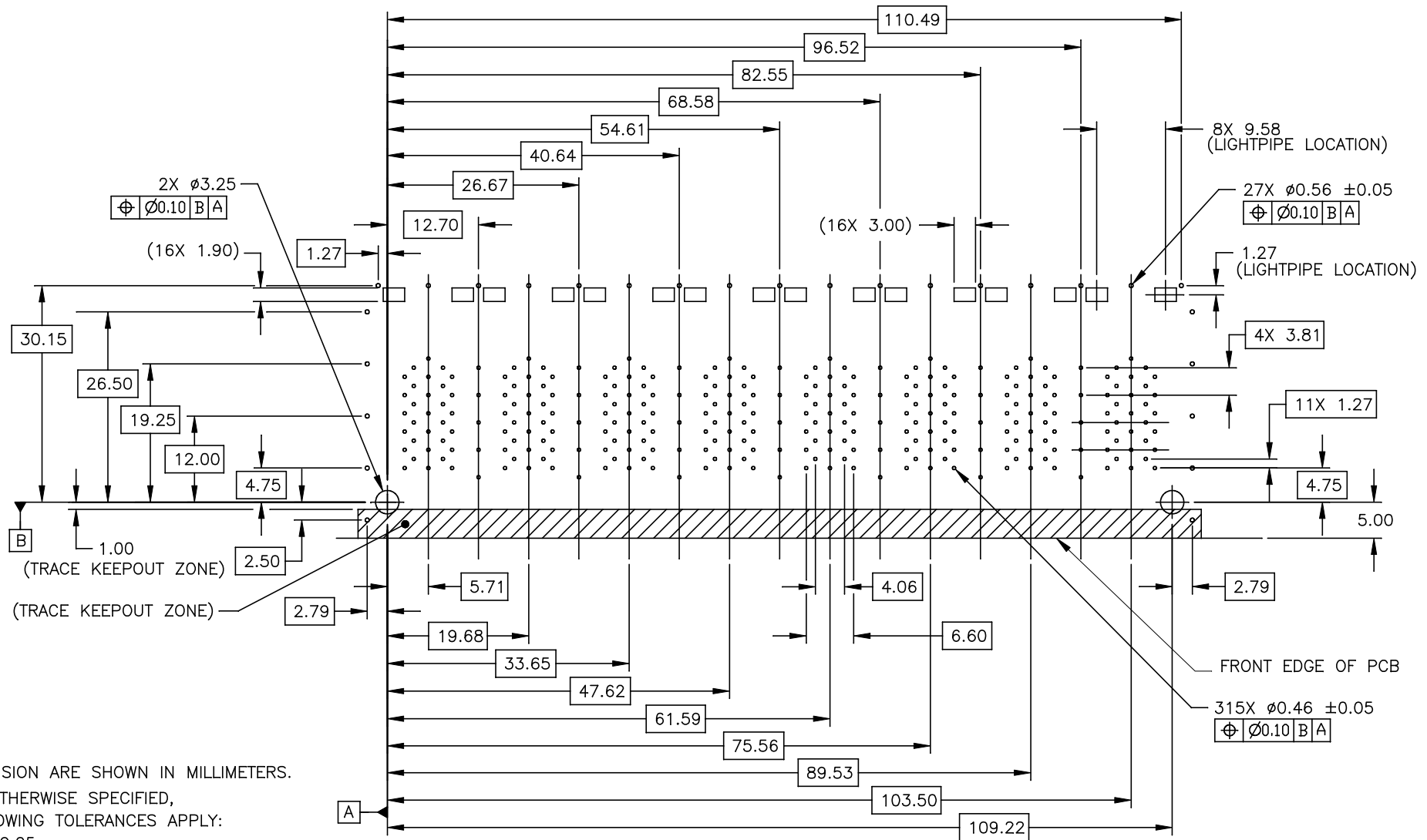
PRODUCT DESCRIPTION
CONN,RJ45,2X8,10G,4C,PF

PS DRAWING
PS-2629.009-A

SHEET:
4

DWG. NO./ PART NO.
JT5-2810NL

REV.
M10



ALL DIMENSION ARE SHOWN IN MILLIMETERS.
 UNLESS OTHERWISE SPECIFIED,
 THE FOLLOWING TOLERANCES APPLY:
 X.XX = ± 0.05

SUGGESTED FOOTPRINT (COMPONENT SIDE SHOWN)

© Copyright, 2013. Pulse Electronics, Inc. All rights reserved. Drawing specifications subject to change without notice. (5/17/13)

PULSE CONFIDENTIAL
 &
 PROPRIETARY

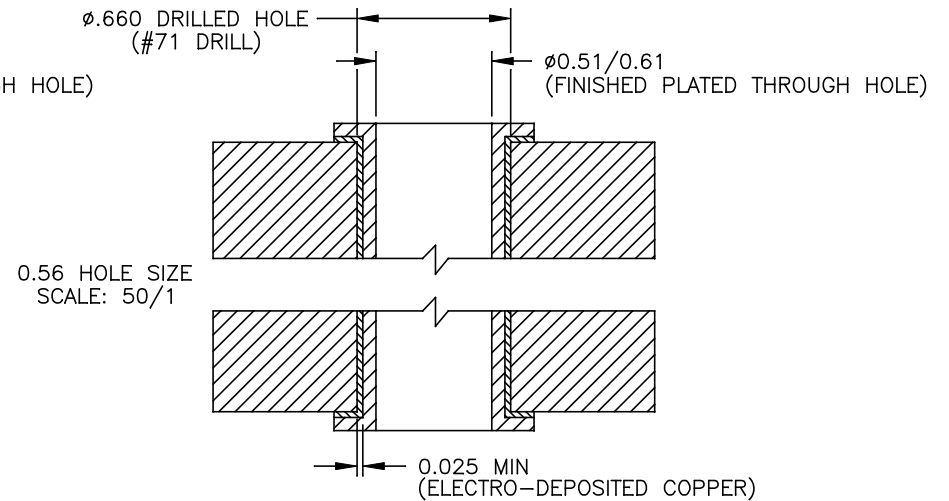
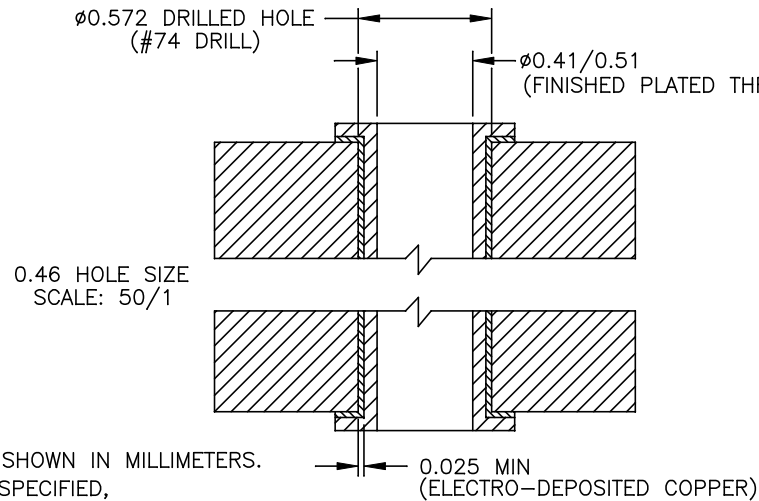
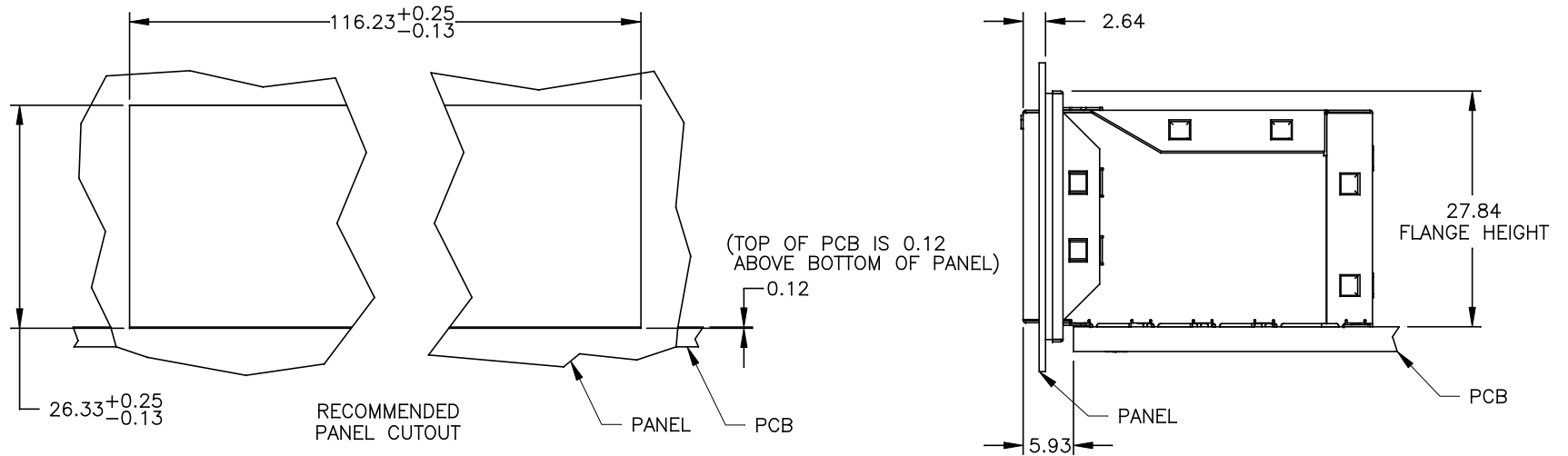
PRODUCT DESCRIPTION
 CONN,RJ45,2X8,10G,4C,PF

PS DRAWING
 PS-2629.009-A

SHEET:
 5

DWG. NO./ PART NO.
 JT5-2810NL

REV.
 M10



ALL DIMENSION ARE SHOWN IN MILLIMETERS.
UNLESS OTHERWISE SPECIFIED,
THE FOLLOWING TOLERANCES APPLY:

X.XX = ±0.25

© Copyright, 2013. Pulse Electronics, Inc. All rights reserved. Drawing specifications subject to change without notice. (5/17/13)

PULSE CONFIDENTIAL
&
PROPRIETARY

PRODUCT DESCRIPTION
CONN,RJ45,2X8,10G,4C,PF

PS DRAWING
PS-2629.009-A

SHEET:
6

DWG. NO./ PART NO.
JT5-2810NL

REV.
M10