

CTSLF0745TF Series

From 2.2µH to 1000µH



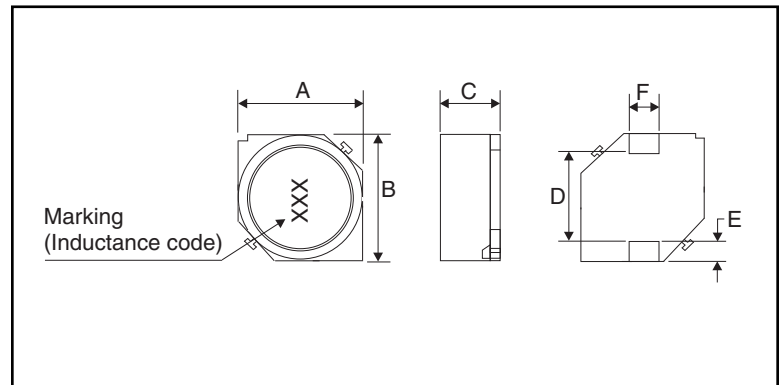
SPECIFICATIONS

Parts are available in ±20% tolerance only.

Part Numbers	Inductance (µH)	L Test Freq. (kHz)	DCR ±20% (Ω)	Rated DC (A)	Itemp Max. (A)
CTSLF0745TF-2R2M	2.2	100	0.033	3.2	3.2
CTSLF0745TF-3R3M	3.3	1.0	0.020	2.5	2.3
CTSLF0745TF-4R7M	4.7	1.0	0.030	2.0	2.1
CTSLF0745TF-6R8M	6.8	1.0	0.039	1.7	1.74
CTSLF0745TF-100M	10	1.0	0.036	1.3	1.78
CTSLF0745TF-150M	15	1.0	0.052	1.1	1.53
CTSLF0745TF-220M	22	1.0	0.061	0.90	1.34
CTSLF0745TF-330M	33	1.0	0.096	0.82	1.09
CTSLF0745TF-470M	47	1.0	0.125	0.75	0.92
CTSLF0745TF-680M	68	1.0	0.20	0.60	0.77
CTSLF0745TF-101M	100	1.0	0.25	0.50	0.65
CTSLF0745TF-151M	150	1.0	0.48	0.40	0.55
CTSLF0745TF-221M	220	1.0	0.85	0.33	0.45
CTSLF0745TF-331M	330	1.0	1.10	0.25	0.37
CTSLF0745TF-471M	470	1.0	1.05	0.22	0.31
CTSLF0745TF-681M	680	1.0	2.08	0.20	0.27
CTSLF0745TF-102M	1000	1.0	2.28	0.14	0.25

PHYSICAL DIMENSIONS

Size	A	B	C	D Typ.	E Typ.	F Typ.
mm	7±0.2	7±0.2	4.5±0.3	4.9	0.9	2.0
inches	0.28±0.008	0.28±0.008	0.18±0.012	0.193	0.035	0.079



CHARACTERISTICS

Description: SMD (shielded) power inductor

Applications: For power source circuits, low profile type DC/DC converters, DC/AC inverters, etc.

Operating Temperature: -20°C to +85°C

Inductance Tolerance: ±20%

Testing: Inductance is tested on a HP4284A at specified frequency

IDC Current: Value obtained when DC current flows and the initial value of inductance has fallen by 10%

Itemp Current: Value obtained when current flows and the temperature has risen 20°C

Packaging: Tape & Reel

Marking: Parts are marked with inductance code

Miscellaneous: RoHS Compliant. Magnetically shielded

Additional Information: Additional electrical & physical information available upon request

Samples available. See website for ordering information.

PAD LAYOUT

