

PLEASE CHECK WWW.MOLEX.COM FOR LATEST PART INFORMATION

Part Number: [5014610802](#)
Status: **Active**
Description: 0.50mm (.020") Pitch FPC Connector, BackFlip™, Right Angle, SMT, Bottom Contact Style, 0.80mm (.031") Mated Height, 8 Circuits, Lead-free

Documents:

[3D Model](#) [Product Specification PS-501461-002 \(PDF\)](#)
[Drawing \(PDF\)](#) [RoHS Certificate of Compliance \(PDF\)](#)

General

Product Family FFC/FPC Connectors
 Series [501461](#)
 Product Name BackFlip™

Physical

Circuits (Loaded) 8
 Contact Position Bottom
 Durability (mating cycles max) 20
 Entry Angle 90° Angle
 Mated Height (in) 0.031 In
 Mated Height (mm) 0.80 mm
 Material - Metal Copper Alloy
 Material - Plating Mating Gold
 Material - Plating Termination Gold
 Number of Rows 1
 Orientation Right Angle
 PCB Locator No
 PCB Retention Yes
 Packaging Type Embossed Tape on Reel
 Pitch - Mating Interface (in) 0.020 In
 Pitch - Mating Interface (mm) 0.50 mm
 Polarized to PCB Yes
 Stackable No
 Surface Mount Compatible (SMC) Yes
 Temperature Range - Operating -40°C to +85°C
 Termination Interface: Style Surface Mount
 Wire/Cable Type FPC only

Electrical

Current - Maximum per Contact 0.3A
 Voltage - Maximum 50V AC (RMS)/DC

Material Info

Reference - Drawing Numbers

Product Specification PS-501461-002, RPS-501461-004, RPS-501461-009
 Sales Drawing SD-501461-003, SD-501461-004

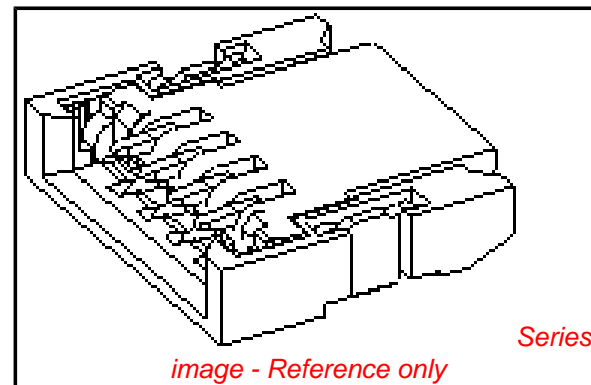


image - Reference only

EU RoHS

**ELV and RoHS
 Compliant**
REACH SVHC
 Not Reviewed
**Halogen-Free
 Status**
Not Reviewed

China RoHS

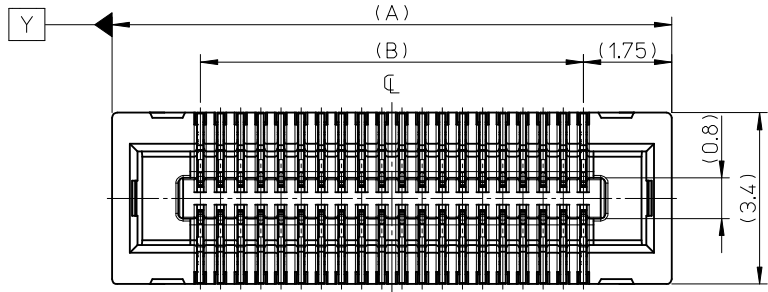
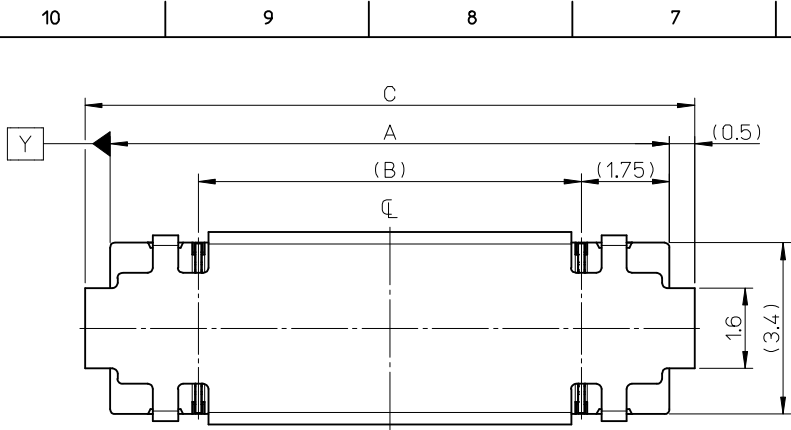


**Need more information on product
 environmental compliance?**

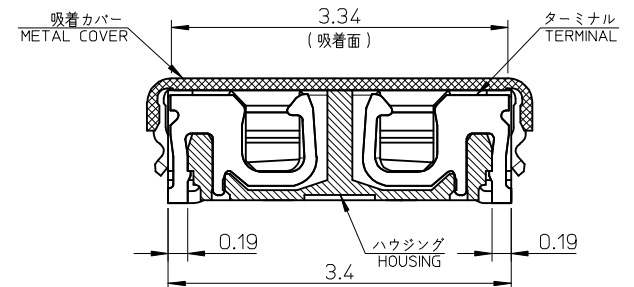
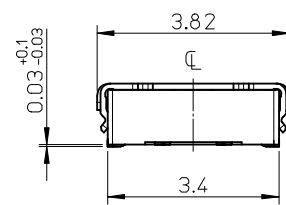
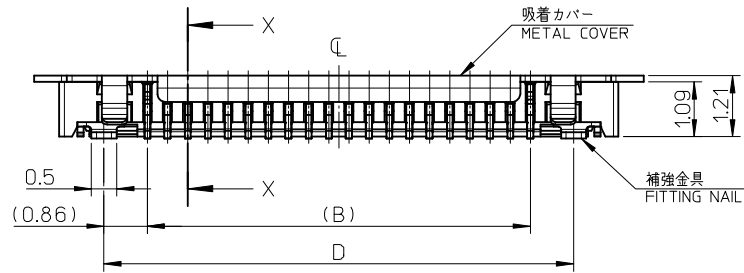
Email productcompliance@molex.com
 For a multiple part number RoHS Certificate of
 Compliance, [click here](#)

Please visit the [Contact Us](#) section for any
 non-product compliance questions.

Search Parts in this Series
[501461Series](#)

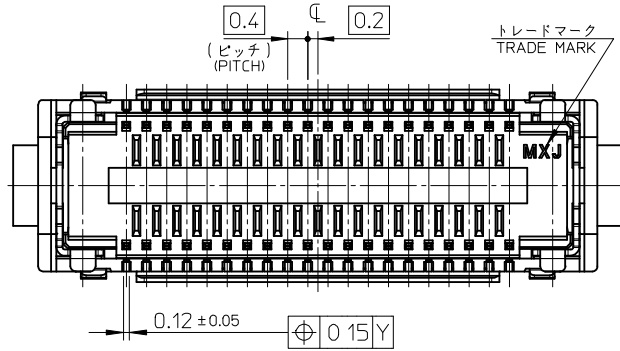


吸着カバー無し図〔参考〕
WITHOUT METAL COVER
(REFERENCE)

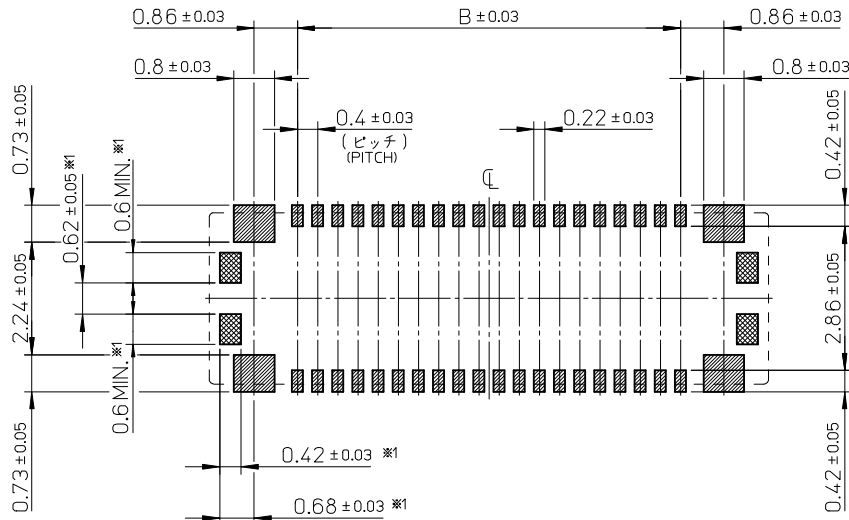


SECTION X-X

19.32	22.1	17.6	21.1	501527-0930	501527-0939	90
17.32	20.1	15.6	19.1	501527-0830	501527-0839	80
11.32	14.1	9.6	13.1	501527-0530	501527-0539	50
9.32	12.1	7.6	11.1	501527-0430	501527-0439	40
8.12	10.9	6.4	9.9	501527-3430	501527-3439	34
7.72	10.5	6.0	9.5	501527-3230	501527-3239	32
7.32	10.1	5.6	9.1	501527-0330	501527-0339	30
5.32	8.1	3.6	7.1	501527-0230	501527-0239	20
D	C	B	A	EMBOSSSED TAPE PKG.	MATERIAL No.	CKT.
				ORDER No. オーダー番号	MODEL No. : 501527-**39	



REVISED EC NO.: J2009-0301 DRWN: MWABEI 2008/08/27 CHKD: THARUYAMA 2008/08/28 APPR: NUKITA 2008/08/28	GENERAL TOLERANCES (UNLESS SPECIFIED)		DIMENSION STYLE MM ONLY		SCALE 10:1	DESIGN UNITS METRIC	THIRD ANGLE PROJECTION	
	10 UNDER ±0.2 10 OVER 30 UNDER ±0.25 30 OVER ±0.3	ANGULAR ±3 ° DRAFT WHERE APPLICABLE MUST REMAIN WITHIN DIMENSIONS	DRAWN BY RTAKEUCHI	DATE 2005/10/25	TITLE 0.4 B-TO-B CONN. HGT=1.3 REC ASSY WITH COVER -LEAD FREE-	MATERIAL NO. SEE TABLE	DOCUMENT NO. SD-501527-001	SHEET NO. 1 OF 2
			APPROVED BY MSASAO	DATE 2005/10/25	MOLEX INCORPORATED			
			THIS DRAWING CONTAINS INFORMATION THAT IS PROPRIETARY TO MOLEX INCORPORATED AND SHOULD NOT BE USED WITHOUT WRITTEN PERMISSION					



※1 : 補強金具部と同一回路以外のパターン (配線) 引き回し禁止範囲を示す。

参考基板レイアウト (マウント面)
P.C.BOARD PATTERN DIMENSION (REFERENCE)
(MOUNTING AREA)

注記 NOTES

1. 使用材料 MATERIAL

ハウジング: 液晶ポリマー (LCP) ガラス充填 UL94V-0 (黒)
HOUSING: LIQUID CRYSTAL POLYMER (GLASS FILLED) UL94V-0 (COLOR: BLACK)

ターミナル: 9ん青銅 (t=0.12)
TERMINAL: PHOSPHOR BRONZE (t=0.12)

金具: コルソン銅 (t=0.12)
FITTING NAIL: CORSON TYPE COPPER ALLOY (t=0.12)

吸着カバー: ステンレス (t=0.12)
METAL COVER: STAINLESS (t=0.12)

2. メッキ仕様 PLATING

ターミナル TERMINAL

金メッキ 0.2 マイクロメートル以上 (コンタクト部)
GOLD 0.2 MICROMETER MINIMUM (CONTACT AREA)

金メッキ 0.4 マイクロメートル以下 (テール部)
GOLD 0.4 MICROMETER MAXIMUM (TAIL AREA)

下地メッキ: ニッケルメッキ 1.5 マイクロメートル以上
UNDER PLATING: NICKEL 1.5 MICROMETER MINIMUM

※コンタクト部とテール部はニッケルメッキによって分断されている金メッキです。
DIVIDE INTO PARTS THE GOLD PLATING OF THE CONTACT AND THE TAIL PART BY THE NICKEL PLATING.

金具 FITTING NAIL

半田付け処理 (金・パラジウムコート)
SOLDERABILITY IMPROVEMENT COAT (Au & Pd COAT)

下地メッキ: ニッケルメッキ 1.0 マイクロメートル以上
UNDER PLATING: NICKEL 1.0 MICROMETER MINIMUM

△ (全極数 / 2) = 偶数の場合に適用。
APPLY FOR (CIRCUIT / 2) = EVEN.

4. 嵌合相手: 501531 シリーズ
MATE WITH: 501531 SERIES.

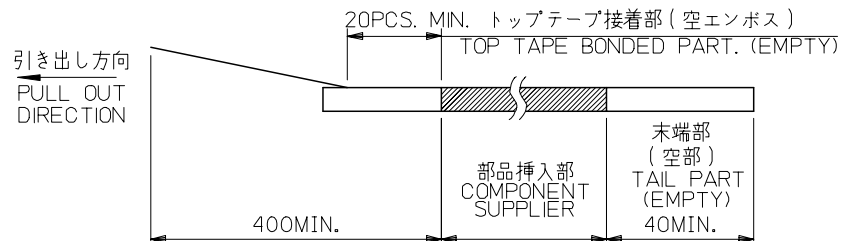
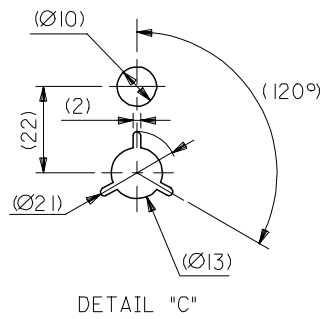
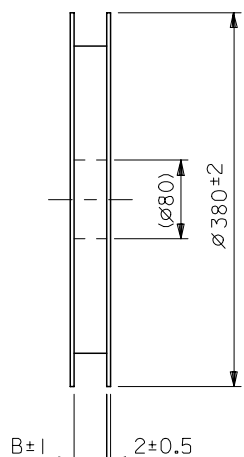
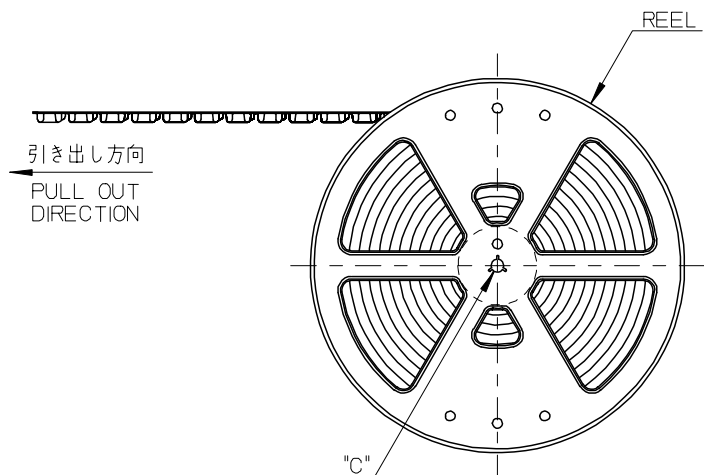
5. テール平坦度は、0.08 以下

テール及び金具の平坦度は、0.1 以下
TAIL COPLANARITY TO BE 0.08 MAXIMUM.
TAIL AND FITTING NAIL COPLANARITY TO BE 0.1 MAXIMUM.

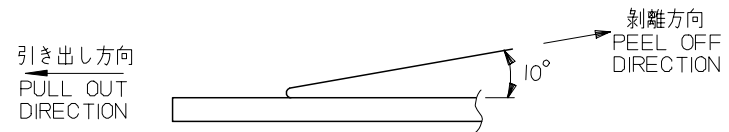
REVISED EC NO: J2009-0301 DRWN: MWABEI 2008/08/27 CHKD: THARUYAMA 2008/08/28 APPR: NUKITA 2008/08/28	GENERAL TOLERANCES (UNLESS SPECIFIED)		DIMENSION STYLE MM ONLY	SCALE 10:1	DESIGN UNITS METRIC	THIRD ANGLE PROJECTION
	10 UNDER	±0.2	DRAWN BY RTAKEUCHI	DATE 2005/10/25	TITLE 0.4 B-TO-B CONN. HGT=1.3 REC ASSY WITH COVER -LEAD FREE-	
	10 OVER 30 UNDER	±0.25	CHECKED BY THIRATA	DATE 2005/10/25	MOLEX INCORPORATED	
	30 OVER	±0.3	APPROVED BY MSASAO	DATE 2005/10/25	MATERIAL NO. SEE SHEET 1	DOCUMENT NO. SD-501527-001
REV D	ANGULAR ±3 ° DRAFT WHERE APPLICABLE MUST REMAIN WITHIN DIMENSIONS		SIZE A3	THIS DRAWING CONTAINS INFORMATION THAT IS PROPRIETARY TO MOLEX INCORPORATED AND SHOULD NOT BE USED WITHOUT WRITTEN PERMISSION		

注記 NOTES

- 製品詳細寸法については製品単体図面を参照下さい。
RE DETAILED DIMENSION, SEE PRODUCT DRAWING.
- 梱包数量：6000 個/リール
NUMBER OF CONNECTORS : 6000PCS/REEL
- リードテープ長さ LEAD TAPE LENGTH



- トップテープの剥離強度：JES-59 参照
剥離方向は下図参照。
PEELING OFF STRENGTH OF TOP TAPE : REFER TO JES-59
PEELING DIRECTION AS SHOWN IN FOLLOWING FIGURE.



- 材料 MATERIAL
キャリアテープ (CARRIER TAPE) : ポリスチレン (POLYSTYRENE)
トップテープ (TOP TAPE) : PET , PE , PEF
リール (REEL) : ポリスチレン (PS) <リサイクル材を含む>
POLYSTYRENE (PS) <RECYCLE MATERIAL CONTAINED>

MODEL NO. 501527-***30

REVISED EC NO: J2007-3237 DRAWN: KSAI T001 2007/08/01 CHKD: KTOYODA 2007/08/02 APPR: NUKITA 2007/08/02	DESCRIPTION	GENERAL TOLERANCES (UNLESS SPECIFIED)		DIMENSION STYLE MM ONLY		SCALE ---	DESIGN UNITS METRIC	THIRD ANGLE PROJECTION	
		10 UNDER	±---	DRAWN BY RTAKEUCHI	DATE 2005/10/26	TITLE 0.4 B-TO-B CONN. HGT=1.3 REC ASSY WITH COVER EMBSTP PKG -LEAD FREE-			
		10 OVER 30 UNDER	±---	CHECKED BY THIRATA	DATE 2005/10/26	MOLEX INCORPORATED			
		30 OVER	±---	APPROVED BY MSASAO	DATE 2005/10/26	DOCUMENT NO. SD-501527-002			
C	REV	DRAFT WHERE APPLICABLE MUST REMAIN WITHIN DIMENSIONS		MATERIAL NO. SEE CHART		SHEET NO. 1 OF 4		THIS DRAWING CONTAINS INFORMATION THAT IS PROPRIETARY TO MOLEX INCORPORATED AND SHOULD NOT BE USED WITHOUT WRITTEN PERMISSION	

10 9 8 7 6 5 4 3 2 1

F

E

D

C

B

A

F

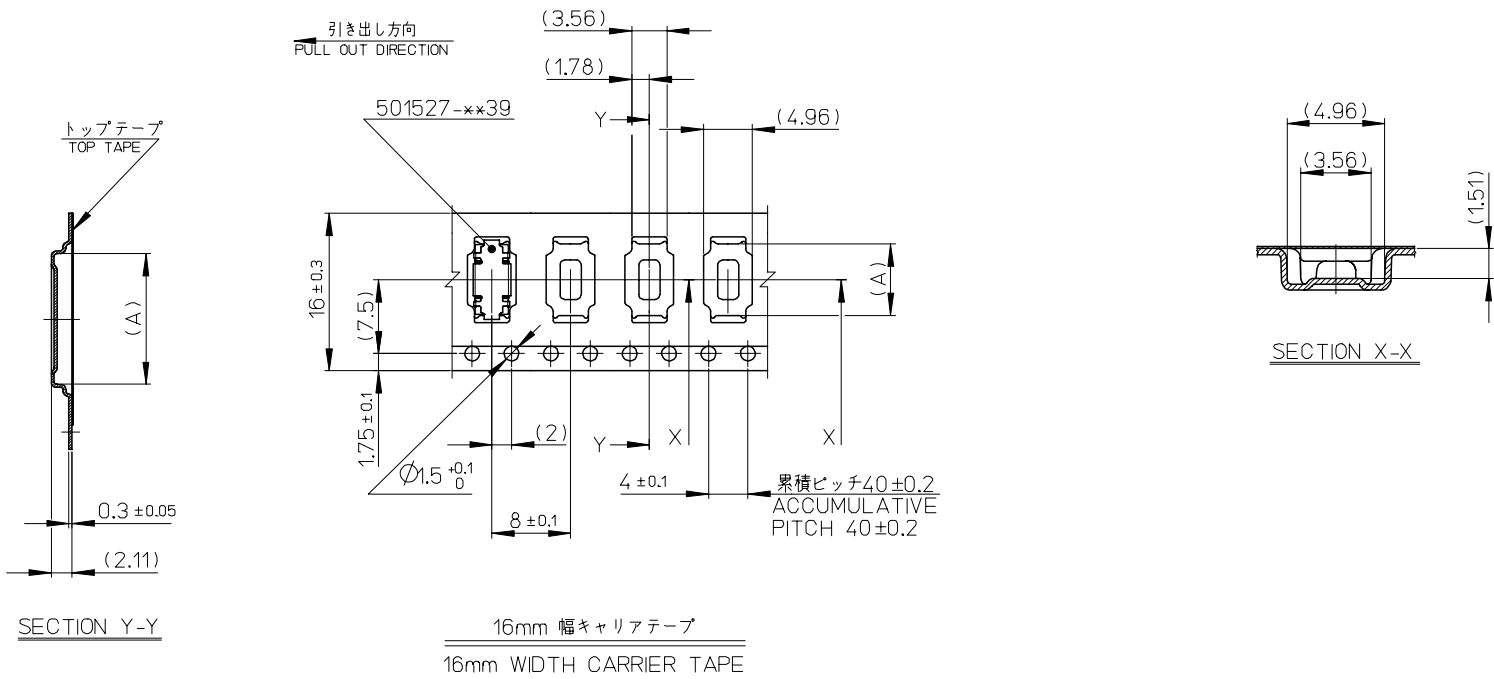
E

D

C

B

A



16	17.5	7.26	501527-0230	20
キャリアテープ幅 CARRIER TAPE WIDTH	B	(A)	MATERIAL No.	CKT.
			MODEL No.	501527-**30

REVISED EC NO: J2007-3237 DRWNG: SAITO01 2007/08/01 CHKDK: TOYODA 2007/08/02 APPR: NUKITA 2007/08/02	DESCRIPTION	GENERAL TOLERANCES (UNLESS SPECIFIED)	DIMENSION STYLE MM ONLY	SCALE ---	DESIGN UNITS METRIC	THIRD ANGLE PROJECTION
	REV	10 UNDER ±---	DRAWN BY RTAKEUCHI	DATE 2005/10/26	TITLE 0.4 B-TO-B CONN. HGT=1.3 REC ASSY WITH COVER EMBSTP PKG -LEAD FREE-	MOLEX INCORPORATED DOCUMENT NO. SD-501527-002 SHEET NO. 2 OF 4
		10 OVER 30 UNDER ±---	CHECKED BY THIRATA	DATE 2005/10/26		
		30 OVER ±---	APPROVED BY MSASAO	DATE 2005/10/26		
	ANGULAR ±---	DRAFT WHERE APPLICABLE MUST REMAIN WITHIN DIMENSIONS	MATERIAL NO. SEE CHART			

10 9 8 7 6 5 4 3 2 1

F

F

E

E

D

D

C

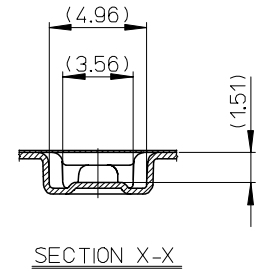
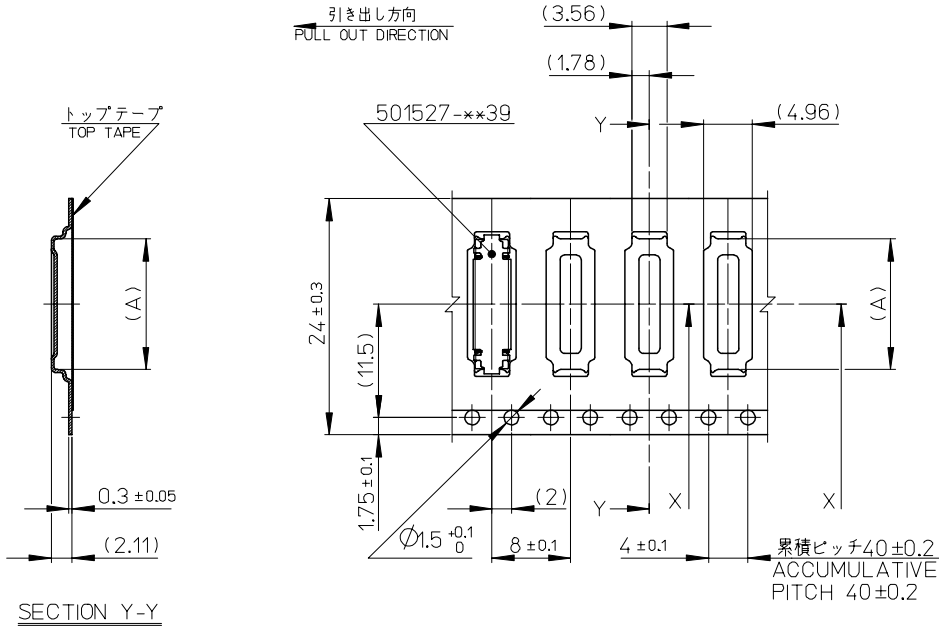
C

B

B

A

A



24mm 幅キャリアテープ
24mm WIDTH CARRIER TAPE

24	25.5	13.26	501527-0530	50	
		11.26	501527-0430	40	
		10.06	501527-3430	34	
		9.66	501527-3230	32	
		9.26	501527-0330	30	
キャリアテープ幅 CARRIER TAPE WIDTH		B	(A)	MATERIAL No.	CKT.
				MODEL No.	501527-**-39

REVISED EC NO: J2007-3237 DRWNG: SAITO01 CHKDK: TOYODA APPR: NUKITA	DESCRIPTION 2007/08/01 2007/08/02 2007/08/02	GENERAL TOLERANCES (UNLESS SPECIFIED)		DIMENSION STYLE MM ONLY	SCALE ---	DESIGN UNITS METRIC	THIRD ANGLE PROJECTION	
		10 UNDER	±---	DRAWN BY RTAKEUCHI	DATE 2005/10/26	TITLE 0.4 B-TO-B CONN. HGT=1.3 REC ASSY WITH COVER EMBSTP PKG -LEAD FREE-		
		10 OVER 30 UNDER	±---	CHECKED BY THIRATA	DATE 2005/10/26	MOLEX INCORPORATED		
		30 OVER	±---	APPROVED BY MSASAO	DATE 2005/10/26	DOCUMENT NO. SD-501527-002		
		ANGULAR	±---	MATERIAL NO. SEE CHART		SHEET NO. 3 OF 4		
DRAFT WHERE APPLICABLE MUST REMAIN WITHIN DIMENSIONS		SIZE A3		THIS DRAWING CONTAINS INFORMATION THAT IS PROPRIETARY TO MOLEX INCORPORATED AND SHOULD NOT BE USED WITHOUT WRITTEN PERMISSION				

9

8

7

6

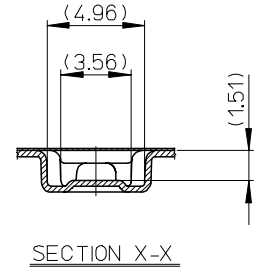
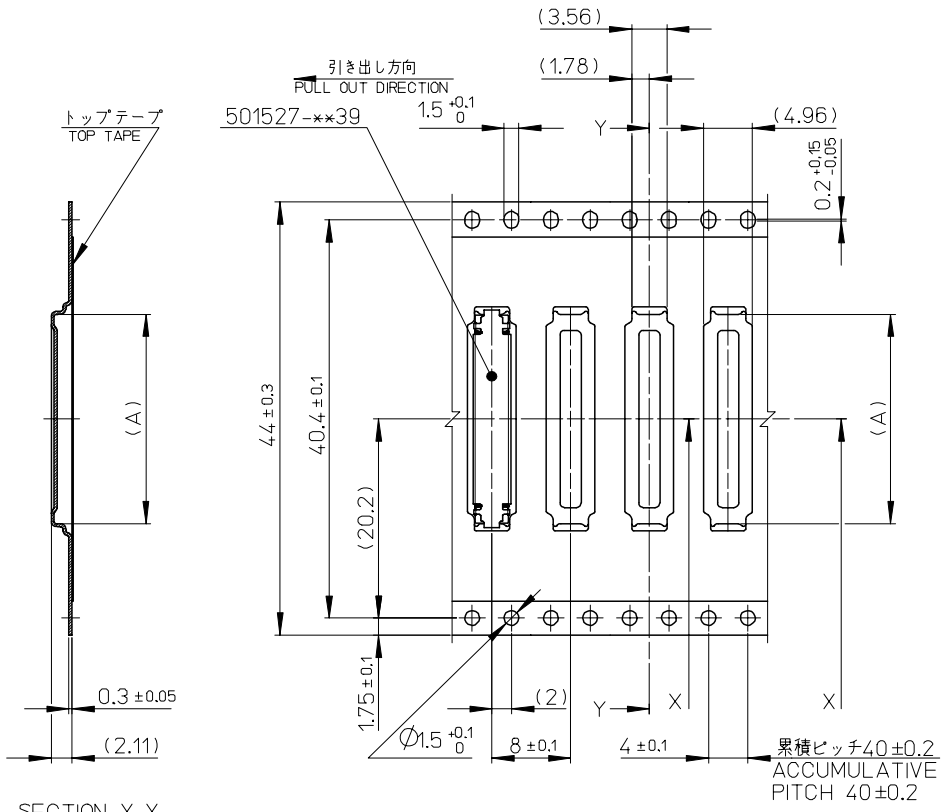
5

4

3

2

10 9 8 7 6 5 4 3 2 1



SECTION Y-Y

44mm 幅キャリアテープ
44mm WIDTH CARRIER TAPE

44	45.5	21.26	501527-0930	90
キャリアテープ幅 CARRIER TAPE WIDTH	B	19.26	501527-0830	80
	(A)		MATERIAL No.	CKT.
			MODEL No.	501527-**-30

REVISED EC NO: J2007-3237 DRW:KSAIT001 2007/08/01 CHK:KTOYODA 2007/08/02 APPR:NUKITA 2007/08/02	GENERAL TOLERANCES (UNLESS SPECIFIED)	DIMENSION STYLE MM ONLY	SCALE ---	DESIGN UNITS METRIC	THIRD ANGLE PROJECTION
	10 UNDER ±---	DRAWN BY RTAKEUCHI	DATE 2005/10/26	TITLE 0.4 B-TO-B CONN. HGT=1.3 REC ASSY WITH COVER EMBSTP PKG -LEAD FREE-	
	10 OVER 30 UNDER ±---	CHECKED BY THIRATA	DATE 2005/10/26	MOLEX INCORPORATED	
	30 OVER ±---	APPROVED BY MSASAO	DATE 2005/10/26	DOCUMENT NO. SD-501527-002	SHEET NO. 4 OF 4
	ANGULAR ±---	MATERIAL NO.	SEE CHART		
	DRAFT WHERE APPLICABLE MUST REMAIN WITHIN DIMENSIONS	SIZE A3	THIS DRAWING CONTAINS INFORMATION THAT IS PROPRIETARY TO MOLEX INCORPORATED AND SHOULD NOT BE USED WITHOUT WRITTEN PERMISSION		