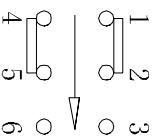
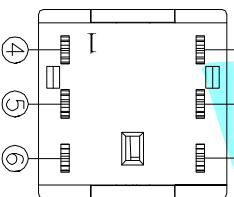
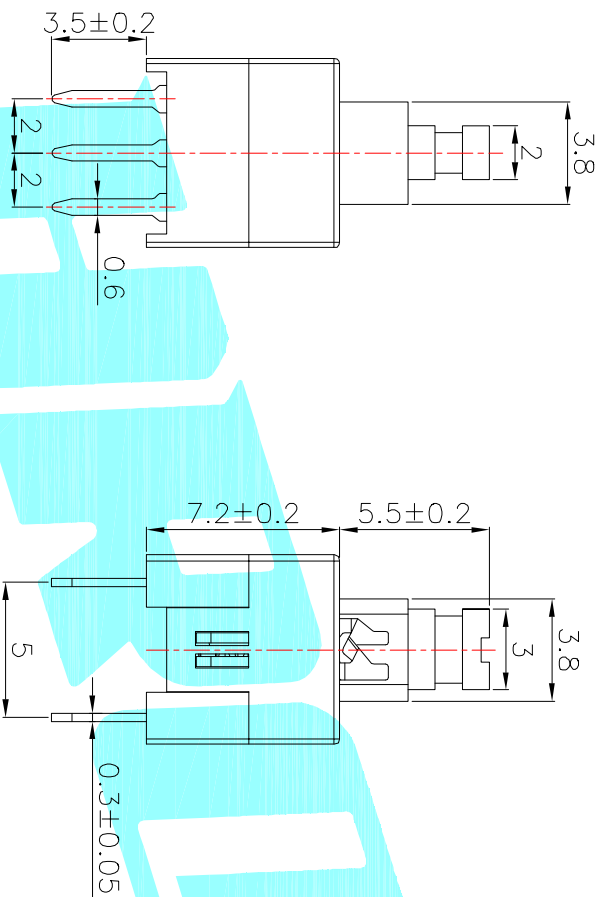
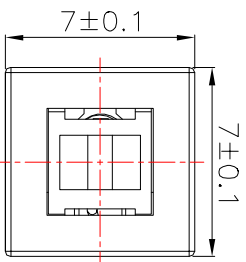
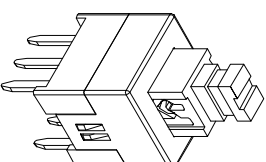
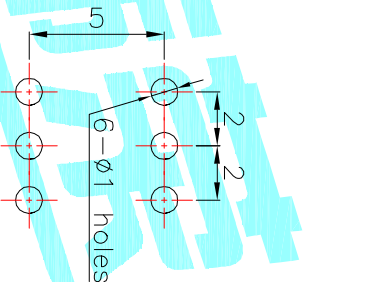
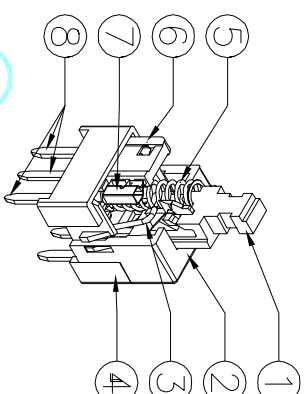


NOTE:  
 1. Operating Force: 230gf±50gf  
 2. Travel : 2.4±0.2mm



Circuit Diagram



PCB Layout(Pattern Side)

NO.	Operating Type	Part No.
1	Push To Lock	K8-7071D-L1
2	Push No Lock	K8-7071D-N1
3	Push No Sound No Lock	K8-7071D-NN

ITEM	PART NAME	TER'NO.	QTY.	MATERIAL	FINISHING	REMARK
⑧	Terminal	---	6	Brass strip	Plating silver	---
⑦	Contact	---	2	Phosphor bronze	Plating silver	---
⑥	Securing glue	---	2	PA66	Black	---
⑤	Spring	---	1	SUS	Natural	---
④	Base	---	1	PBT	Black	---
③	Crochet Needle	---	1	SUS	Natural	---
②	Cover	---	1	POM	White	---
①	KNOB	---	1	POM	Blue	---

APPROVALS		DATE	TITLE:	
DRAWN	J.X.Zhong	2013/10/17	ELECTRONICS CO.,LTD	
CHECKED			PUSHBUTTON SWITCHS	
APPROVALS			PART NO.	

ECN NO.	REV.	DATE.	DESCRIPTION.	CHANGE.	CHECK.	APPRO.	TOLERANCES ARE	ANGLE	UNIT:	SCALE:	PROJ:
	A		NEW				30±0.1±	±0.30	mm	1:1	PROJ: 1 OF 1
							10~30	±0.20			
							5~10	±0.15			
							~5	±0.10			