

Dialight

Tactical Blackout Drive Light



FEATURES / BENEFITS

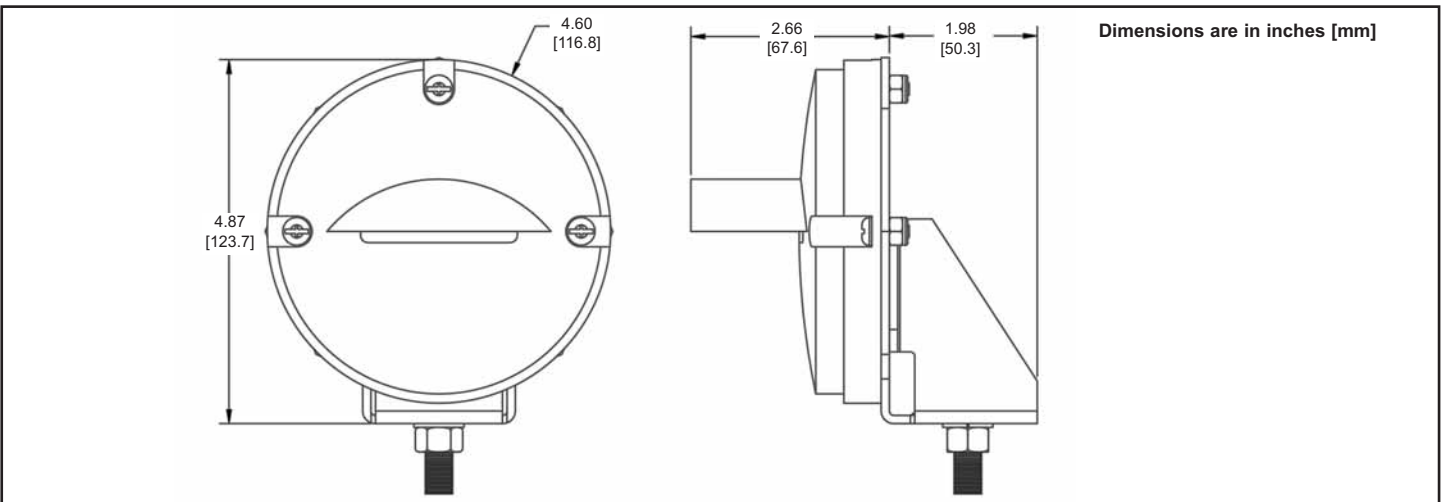
- ▲ Specially designed for military applications
- ▲ Voltage range 10-30 volts
- ▲ Hard wired military connectors
- ▲ Conform to FMVSS 108 and MIL-STD-1179
- ▲ LEDs provide safer, nearly instant on, faster illumination than incandescent
- ▲ Low power consumption
- ▲ High vibration resistance
- ▲ Easy retrofit of existing incandescent
- ▲ Robust, impact-resistant design

APPLICATION

Dialight has developed Tactical Blackout Drive Lights as an easy incandescent retrofit upgrade for new and existing military vehicles. These lamps were designed to conform to all of the FMVSS 108 and military specifications.

Dialight's unique hermetically sealed lamps are perfect for extreme environmental conditions. In addition, their vibration resistance makes these devices ideal for use on military vehicles.

SPECIFICATIONS



PRELIMINARY

Dialight reserves the right to make changes at any time in order to supply the best product possible.

Part Number	Description
TBL-GC-14T-13	Tactical Blackout Drive with Bracket
TBL-00-04T-00	Tactical Blackout Bracket

Dialight Corporation

1501 Route 34 South • Farmingdale, NJ 07727 USA

Tel: (1) 732-919-3119 • Fax: (1) 732-751-5778 • www.dialight.com



MDTBTBDLX001_B