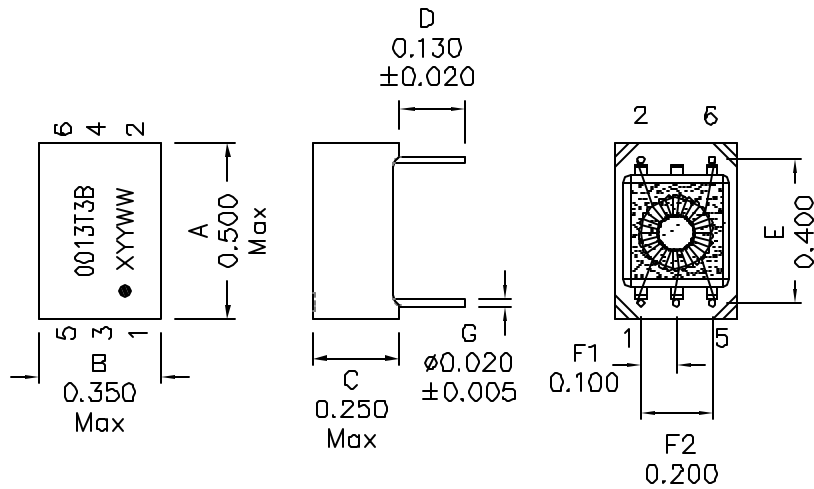


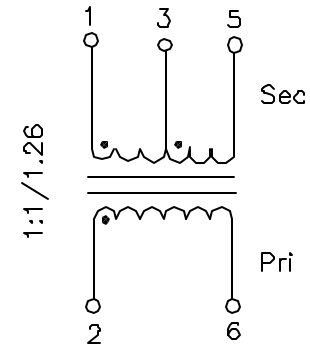
## 1. Dimensions:



### Notes:

- Solderability: Leads shall meet MIL-STD-202G, Method 208H for solderability.
- Flammability: UL94V-0
- ASTM oxygen index: > 28%
- Insulation System: Class F 155°C. UL file E151556
- Operating Temperature Range: All listed parameters are to be within tolerance from 0°C to +85°C
- Storage Temperature Range: -55°C to +125°C
- Aqueous wash compatible
- Electrical and mechanical specifications 100% tested
- RoHS Compliant Component
- Pin 4 is removed.

## 2. Schematic:



## 3. Electrical Specifications: @25°C

- PRI OCL: 1.5mH Min @100KHz 50mV
- PRI Q: 8 Min @10KHz 50mV
- PRI LL: 0.80uH Max @100KHz 50mV (SEC Shorted)
- Cw/w: 50pF Max @100KHz 50mV (PRI/SEC)
- PRI DCR: 0.90 Ohms Max
- SEC DCR: 1.10 Ohms Max
- Turns Ratio( $\pm 5\%$ ): (2-6):(3-5)=1:1  
(2-6):(1-5)=1:1.26
- Isolation Voltage: 1500Vrms (PRI/SEC)

DOC. REV B/3

<b>XFMRs Inc</b> www.XFMRs.com		Title: T1/CEPT/DS1 MAGNETICS TRANSFORMERS	
UNLESS OTHERWISE SPECIFIED TOLERANCES: .xxx $\pm 0.010$ Dimensions in Inch SHT 1 OF 1	P/N: XF0013T3B		REV. B
	DWN.	Feng	Nov-09-10
	CHK.	YK Liao	Nov-09-10
	APP.	Joe Huff	Nov-09-10