

**PLEASE CHECK WWW.MOLEX.COM FOR LATEST PART INFORMATION**

**Part Number:** [0505577412](#)  
**Status:** **Active**  
**Description:** Ring Tongue Terminal for 4 AWG, Closed Uninsulated Brazed Barrel, Stud Size 10 (M5), Oxygen-Free Copper, Length 33.40mm (1.315"), Clearance 13.70mm (.539")

**Documents:**

[Drawing \(PDF\)](#) [RoHS Certificate of Compliance \(PDF\)](#)  
[Product Specification PS-50555-001 \(PDF\)](#)

**Agency Certification**

UL E134962

**General**

Product Family Ring and Spade Terminals  
 Series [50557](#)  
 Crimp Quality Equipment Yes  
 Mil-Spec N/A  
 Product Name R (Ring)  
 Type Ring

**Physical**

Barrel Type Closed - Brazed  
 Insulation None  
 Material - Plating Mating Tin  
 Packaging Type Bag  
 Plating min: Mating (µin) 40  
 Plating min: Mating (µm) 1  
 Plating min: Termination (µin) 40  
 Plating min: Termination (µm) 1  
 Stud Size 10 (M5)  
 Termination Interface: Style Crimp or Compression  
 Wire Size AWG 4  
 Wire Size mm<sup>2</sup> 16.78 - 26.66

**Material Info**

**Reference - Drawing Numbers**

Product Specification PS-50555-001



image - Reference only

Series

**EU RoHS**

**ELV and RoHS Compliant**

**REACH SVHC**

Not Reviewed

**Halogen-Free**

Status

**Not Reviewed**

**China RoHS**



**Need more information on product environmental compliance?**

Email [productcompliance@molex.com](mailto:productcompliance@molex.com)  
 For a multiple part number RoHS Certificate of Compliance, [click here](#)

Please visit the [Contact Us](#) section for any non-product compliance questions.

**Search Parts in this Series**

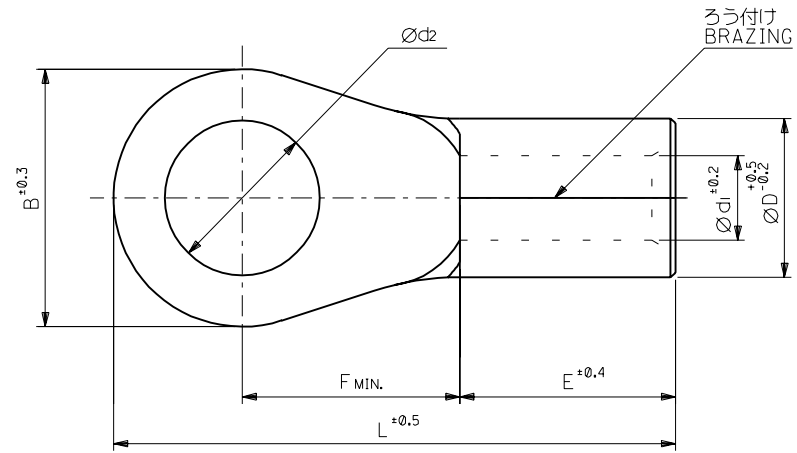
[50557Series](#)

**Application Tooling | FAQ**

*Tooling specifications and manuals are found by selecting the products below. Crimp Height Specifications are then contained in the Application Tooling Specification document.*

**Japan**

Description	Product #
Battery Type Hand Crimper For JIS Terminal	<a href="#">0573439004</a>

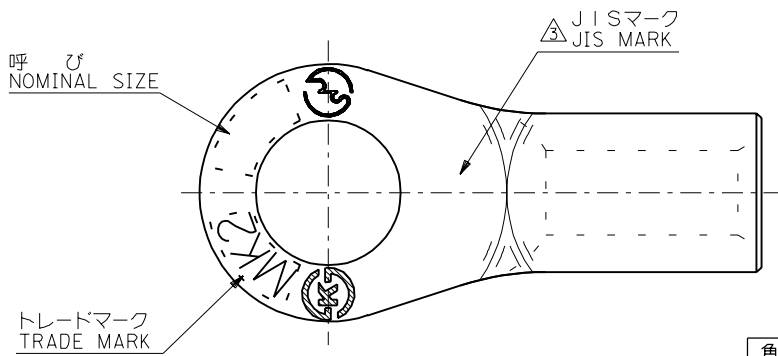
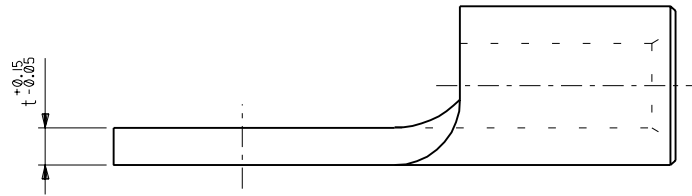


注記 NOTES

- 材質 MATERIAL  
 端子：タフピッチ銅、スズメッキ  
 TERMINAL: TOUGH PITCH COPPER, TIN PLATING  
 ろう付け部：りん銅ろう  
 PART OF BRAZING : COPPER PHOSPHORUS BRAZING FILLER METALS
- 適用電線 APPLICABLE WIRE RANGE

単線 SOLID WIRE	撚線 STRANDED WIRE
4.62~5.81 mm	16.78~26.66 mm <sup>2</sup>

△ JIS認定品にのみ刻印。  
 DIE STAMPED MARK IS ALLOWED ONLY FOR JIS FILED PRODUCTS.



		21.2±0.2											20	50557-7912
		17.2±0.2	50.4	23.9				30				16	-7812	
JIS		15.2±0.2										14	-7712	
		11.6±0.2	41.8	17.3				22				11	-7612	
	1.8	10.6±0.2										S10	-7512	
		5.4±0.1	33.4	13.1	11.5	7.7	11.4	16.5	22			5	-7412	
JIS		13.1±0.2	41.8	17.3								12	-7312	
JIS		10.6±0.2	37.1	14.6				17.5				10	-7212	
JIS		8.5±0.2		13.1								8	-7112	
JIS		6.5±0.2	33.4	10.1				16.5				6	50557-7012	
△	t	d2	L	F	E	d1	D	B	呼び NOMINAL SIZE		ENG. NO.			

角度 ANGLE	▽3°													
30以上 OVER	±0.3	B	変更 REVISION	(JC2001-0820)	T.K	T.Y	01/04/12							
10以上 30未満 UNDER	±0.25	A	変更 REVISION	(JC80693)	H.J	M.F	08/03/05							
10未満 UNDER	±0.2	0	新規作成 RELEASED	(J50285)	H.J	S.K	05/04/18							
一般公差 GENERAL TOLERANCES		記号 LTR	変更内容 REVISION RECORD		DR. CHK.	日付 DATE								

材料 MATERIAL 注記参照 SEE NOTES  
 仕上げ FINISH 注記参照 SEE NOTES  
 適用電線範囲 WIRE RANGE 注記参照 SEE NOTES  
 被覆外径 INS. RANGE —

DRAWN BY '95/04/18 H.HASEGAWA  
 APP'D BY '01/04/12 N.HAYASHI

CHK'D BY '01/04/12 T.YAMAGUCHI  
 尺度 SCALE —

**molex** MOLEX-JAPAN CO.,LTD.  
 日本モレックス株式会社

REVISE ONLY ON CAD SYSTEM

TITLE 名称 RING TERMINAL  
 (銅線用裸圧着端子)  
 (NON-INSULATED CRIMP-STYLE TERMINAL FOR COPPER CONDUCTORS)

DWG. NO. SD-50557-7\*12 REV B