



830-004 and 830-005 Size #12 Pneumatic Socket Contacts

Size #12 Pneumatic Contacts

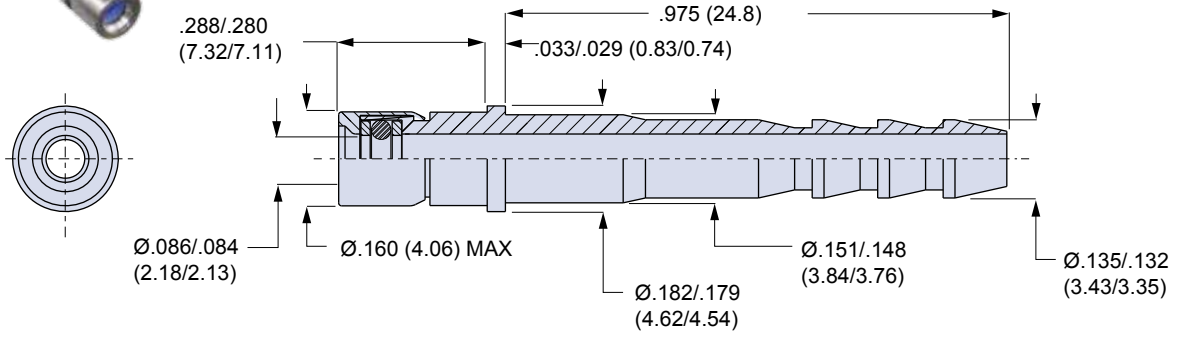


Contact Type	For Use With	Tube I.D.	Part Number
Socket	D38999 Series II, Series 79 and Series 80	.094 (2.38)	830-004
Socket	D38999 Series I, III, IV	.094 (2.38)	830-005

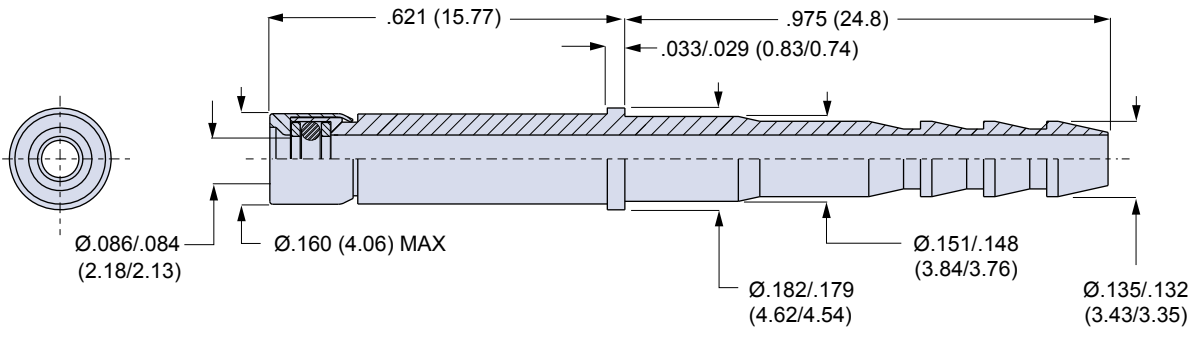
830-004 supercedes 857-010

830-005

830-004



830-005



Stainless steel pneumatic contacts attach to 3/32 inch (2.38) diameter tubing. Socket contact has o-ring and PTFE backup washers. Contacts snap into size #12 connector cavities. These pneumatic contacts are rated for 100 PSI maximum air pressure. No installation tool is required. Remove contacts with plastic extraction tool 809-132.

Material and Finish

Body and Cap: stainless steel, passivated
 O-ring: fluorosilicone
 Washers: PTFE

Specifications

Contact may be used for air pressures up to 100±10% PSIG
 Fits #12 socket contact cavities (see description for details)

Notes

High pressure pneumatic contacts available. Consult factory for more information.