

**C/A-1501X, C/A-1505X SINGLE DIGIT DISPLAY**



Shape	Part No.		Chip		Wave Length $\lambda_p$ (nm)	Electro-Optical Characteristics			Fig. No.
	Common Cathode	Common Anode	Raw Material	Emitted Color		Vf(V)20mA		Iv(ucd)10mA	
						Typ.	Max.	Typ.	
	C-1501H	A-1501H	GaP	Red	700	4.2	5.6	1200	D17
	C-1501E	A-1501E	GaAsP/GaP	Hi. effi Red	635	4.0	5.6	4200	
	C-1501G	A-1501G	GaP	Green	565	4.2	5.6	4000	
	C-1501Y	A-1501Y	GaAsP/GaP	Yellow	585	4.2	5.6	3200	
	C-1501SR	A-1501SR	GaAlAs	Super Red	660	3.6	4.8	40000	
	C-1505H	A-1505H	GaP	Red	700	4.2	5.6	1200	D18
	C-1505E	A-1505E	GaAsP/GaP	Hi. effi Red	635	4.0	5.6	4200	
	C-1505G	A-1505G	GaP	Green	565	4.2	5.6	4000	
	C-1505Y	A-1505Y	GaAsP/GaP	Yellow	585	4.2	5.6	3200	
	C-1505SR	A-1505SR	GaAlAs	Super Red	660	3.6	4.8	40000	

Fig.D17

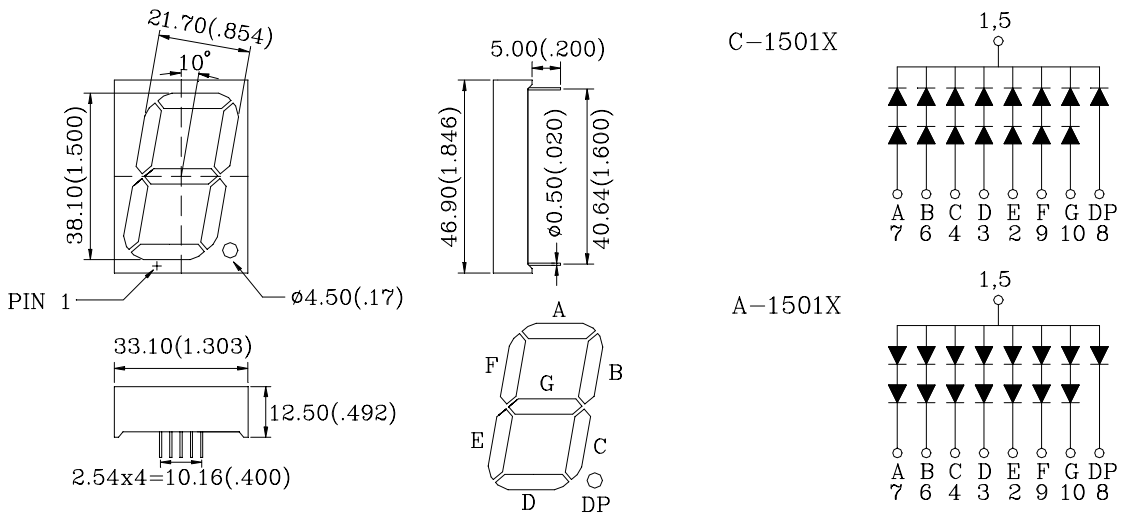
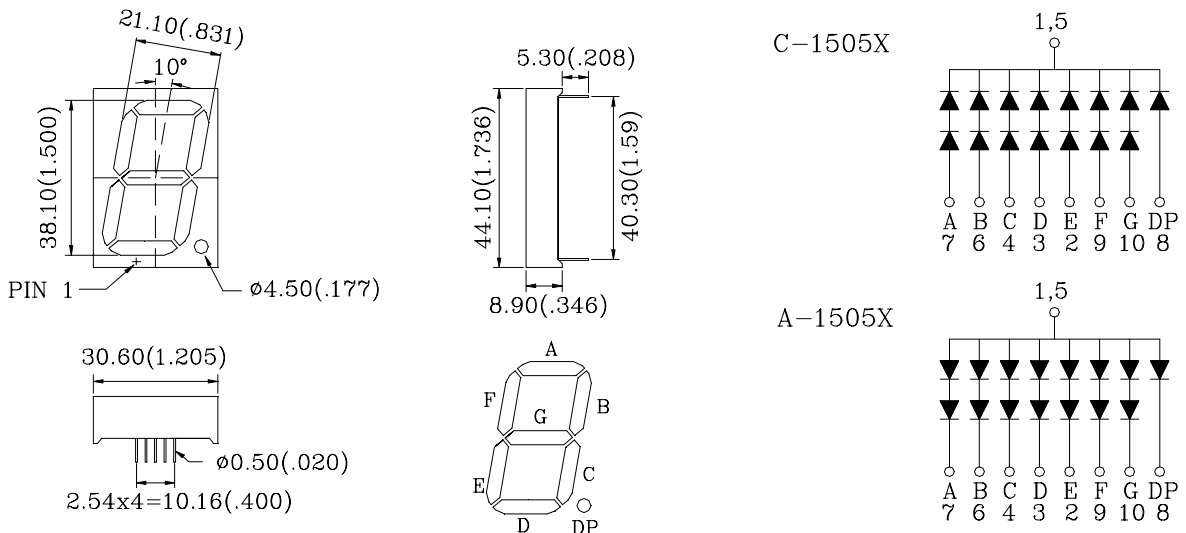


Fig.D18



1.All dimension are in millimeters (inches).  
2.Tolerance is  $\pm 0.25$  mm (0.01") unless otherwise specified.