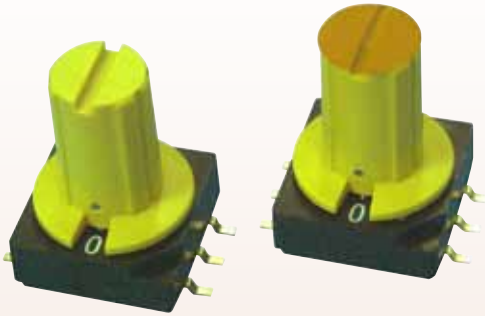


ROTARY CODED SWITCHES **SD-1000/2000**

With heat resistern knob type

RoHS compliant



FEATURES

- With heat resistern yellow knob
- Compatible with reflow soldering
- Fine click with metallic spring
- High reliability by Gold contact
- Terminal pin arrangement 3-3

APPLICATIONS

- Industrial equipment, Information and telecommunicaion equipment, Household appliances, Amusement machines

PART NUMBER DESIGNATION

SD - 1 1 1 0 T B - 2 3

Series name

No. of positions

1 : 16 positions
2 : 10 positions

Shape of rotor

1 : With knob

Code format

1 : Real code
3 : Complementary code

Kind of knob

23 : With heat resistern yellow knob
24 : With heat resistern yellow knob & with seal tape

Shape of terminal

B : Gull wing

Form of packaging

T : Taping

Setting position

0 : Top setting

SPECIFICATIONS

Standard specifications	Operat ng temp range.		- 40 ~ 85 °C
	Storage temp.range		
	Sealing		
Electrical characteristics	Contact rating	Switching	DC5 V 100 mA
		Minimum	DC20 mV 1 μA
	Contact resistance		100 mΩ Max.
	Insulation resistance		1000 MΩ Min. (DC100 V)
	Dielectric strength		AC250 V, 60 s
Mechanical characteristics	Adjustment torque		4 ~ 25 mN·m {41 ~ 255 gf·cm}
	Stop strength		10 N {1.02 kgf}, 10 s
	Load life		20,000 steps (DC5 V, 100 mA)
	Soldering heat		Reflow peak temp. : 255 °C (Please refer to the reflow profile in next page.)
Packaging	Taping		200 pcs./reel

※ This item is an order made products. For detail, please contact our sales office.

ROTARY CODED SWITCHES

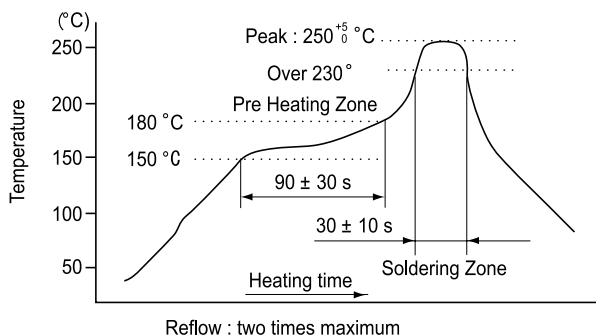
SD-1000/2000 *With heat resistern knob type*

CODE FORMAT

No. of positions		SD-1000 series (16 positions)																
		SD-2000 series (10 positions)										A	B	C	D	E	F	
Position		0	1	2	3	4	5	6	7	8	9	A	B	C	D	E	F	
Code	Real code	8								●	●	●	●	●	●	●	●	
		4					●	●	●	●			●	●	●	●	●	
		2			●	●			●	●			●	●			●	●
		1		●		●			●	●		●		●		●		●
	Complementary code	8	●	●	●	●	●	●	●	●			●	●				
		4	●	●	●	●					●	●						
		2	●	●			●	●			●	●			●	●		
		1	●		●		●		●		●		●		●		●	

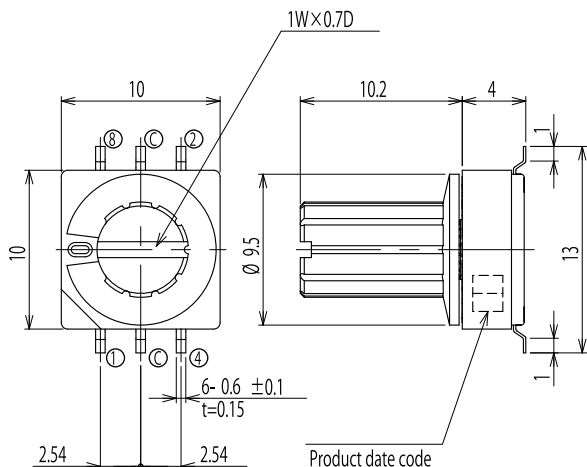
● ...Contact closed

< Reflow profile for soldering heat evaluation >

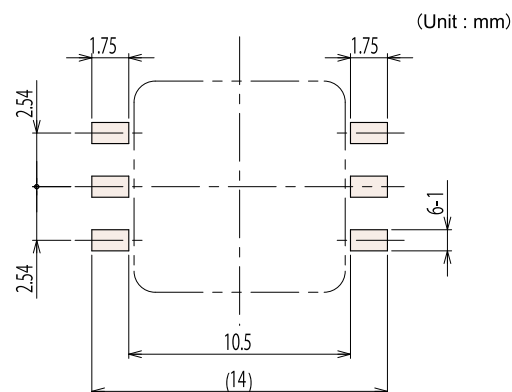


OUTLINE DIMENSIONS

Unless otherwise specified, tolerance : ± 0.3 (Unit : mm)



RECOMMENDED P.C.B. PAD DIMENSIONS



※ Concerning land peel off, it is caused by the height of products. Handle with care to avoid impact after mounting.

NIDEC COPAL ELECTRONICS

<http://www.nidec-copal-electronics.com>

Specifications are subject to change without notice.