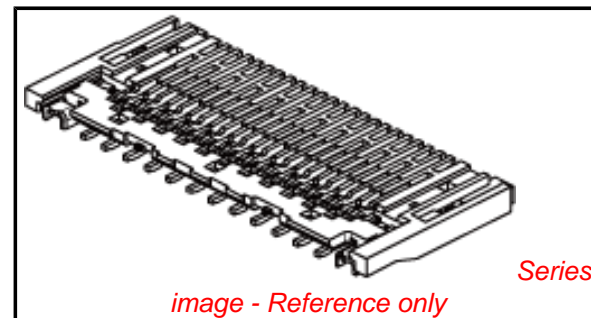


PLEASE CHECK WWW.MOLEX.COM FOR LATEST PART INFORMATION

Part Number: [5027614900](#)
Status: **Active**
Description: 0.30mm (.012") Pitch Easy-On™ Type FPC Connector, Right Angle, SMT, Bottom Contact, 0.62mm (.024") Mated Height, 49 Circuits

Documents:

[3D Model](#) [Product Specification PS-502761-001 \(PDF\)](#)
[Drawing \(PDF\)](#) [RoHS Certificate of Compliance \(PDF\)](#)



General

Product Family FFC/FPC Connectors
 Series [502761](#)
 Comments FPC with tabs
 Product Name Easy-On™

Physical

Circuits (Loaded) 49
 Color - Resin Black
 Contact Position Bottom
 Durability (mating cycles max) 10
 Entry Angle 90° Angle
 Mated Height (in) 0.024 In
 Mated Height (mm) 0.62 mm
 Material - Metal Copper-Nickel-Tin
 Material - Plating Mating Gold
 Number of Rows 1
 Orientation Right Angle
 PCB Locator No
 PCB Retention Yes
 Packaging Type Embossed Tape on Reel
 Pitch - Mating Interface (in) 0.012 In
 Pitch - Mating Interface (mm) 0.30 mm
 Polarized to PCB Yes
 Stackable No
 Temperature Range - Operating -40°C to +85°C
 Termination Interface: Style Surface Mount
 Wire/Cable Type FPC only

Electrical

Current - Maximum per Contact 0.2A
 Voltage - Maximum 50V

Material Info

Reference - Drawing Numbers

Product Specification PS-502761-001, RPS-502761-001
 Sales Drawing SD-502761-001, SD-502761-002

EU RoHS

**ELV and RoHS
Compliant**

REACH SVHC

Not Reviewed

Halogen-Free

Status

Not Reviewed

China RoHS



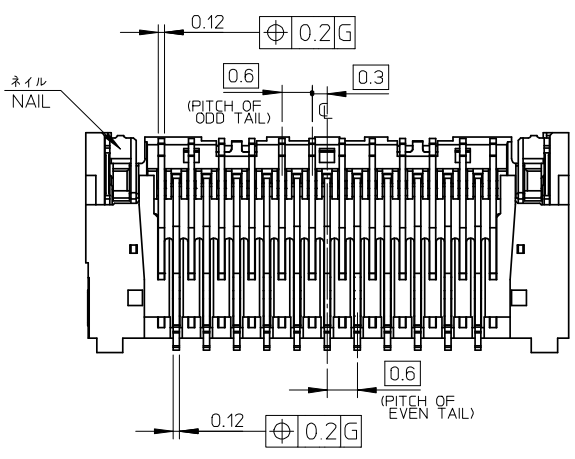
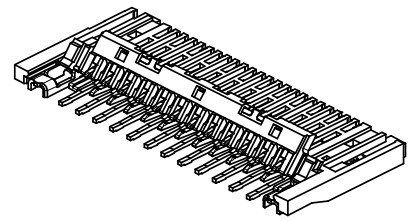
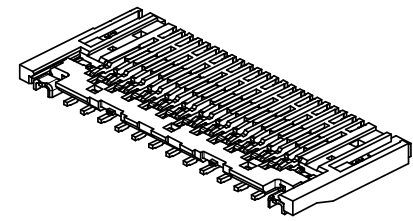
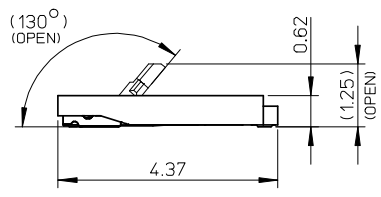
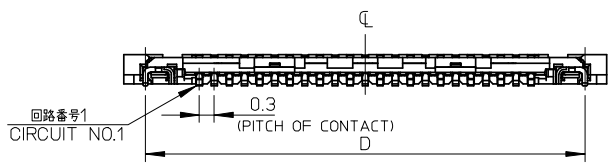
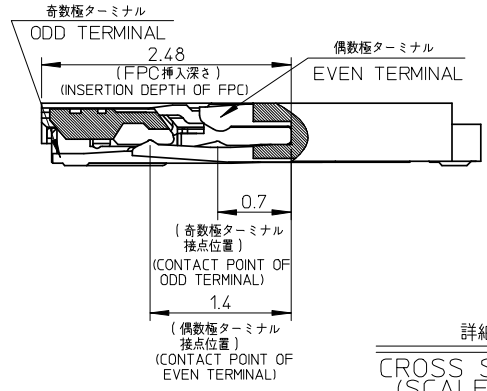
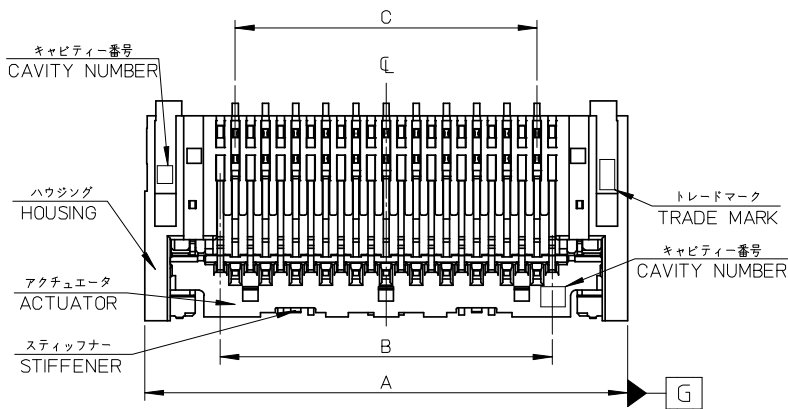
**Need more information on product
environmental compliance?**

Email productcompliance@molex.com
 For a multiple part number RoHS Certificate of Compliance, [click here](#)

Please visit the [Contact Us](#) section for any non-product compliance questions.

Search Parts in this Series

502761Series



16.54	13.8	14.4	17.4	502761-4900	502761-4909	49
11.74	9	9.6	12.6	502761-3300	502761-3309	33
D	C	B	A	オーダー番号 ORDER NO. (EMBOSSED TAPE)	製品番号 MATERIAL NO.	極数 CIRCUITS

REVISED EC NO: J2008-4277 DRWN: TRSUZUKI 2008/06/17 CHKD: KMORIKAWA 2008/06/18 APPR: KMORIKAWA 2008/06/18	GENERAL TOLERANCES (UNLESS SPECIFIED)		DIMENSION STYLE MM ONLY		SCALE 10:1	DESIGN UNITS METRIC	THIRD ANGLE PROJECTION
	10 UNDER	±0.2	DRAWN BY TRSUZUKI	DATE 2008/06/11	TITLE 0.3 FPC CONN (H=0.62) HSG ASSY BOTTOM CONTACT GOLD WITH NICKEL BARRIER		
	10 OVER 30 UNDER	±0.25	CHECKED BY KMORIKAWA	DATE 2008/06/11	MOLEX INCORPORATED		
	30 OVER	±0.3	APPROVED BY HIRATA	DATE 2008/06/11	MATERIAL NO. SEE CHART	DOCUMENT NO. SD-502761-001	SHEET NO. 1 OF 3
REV A	DESCRIPTION ANGULAR ±1° DRAFT WHERE APPLICABLE MUST REMAIN WITHIN DIMENSIONS	THIS DRAWING CONTAINS INFORMATION THAT IS PROPRIETARY TO MOLEX INCORPORATED AND SHOULD NOT BE USED WITHOUT WRITTEN PERMISSION					

注記 NOTES
~~~~~

1.使用材料 MATERIAL

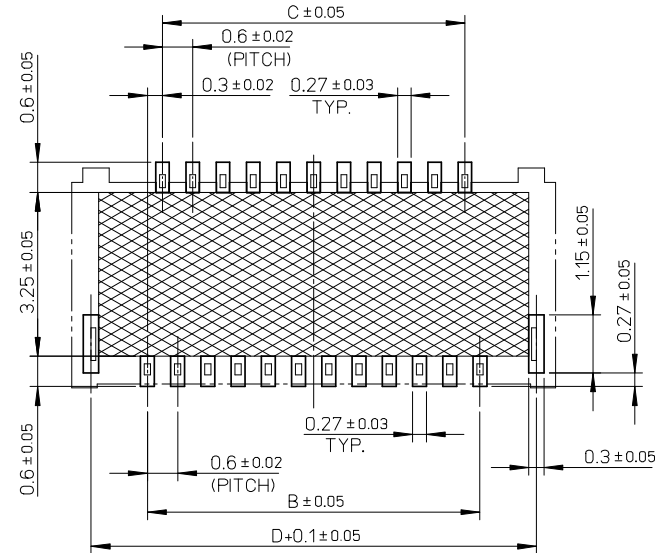
ハウジング : 液晶ポリマー ガラス充填 UL94V-0 (黒)  
 HOUSING : LIQUID CRYSTAL POLYMER (GLASS FILLED)  
 UL94V-0 (COLOR:BLACK)  
 アクチュエータ : 液晶ポリマー ガラス充填 UL94V-0 (灰色)  
 ACTUATOR : LIQUID CRYSTAL POLYMER (GLASS FILLED)  
 UL94V-0 (COLOR:GRAY)  
 ターミナル : 銅ニッケルスズ合金  
 TERMINAL : COPPER NICKEL TIN ALLOY  
 ネイル : リン青銅  
 FITTING NAIL : PHOSPHOR-BRONZE  
 スティッフナー : ステンレス鋼  
 STIFFENER : STAINLESS STEEL

2.メッキ仕様 PLATING

ターミナル TERMINAL  
 接点部 : 金メッキ  
 CONTACT AREA : GOLD  
 半田付け部 : 金メッキ  
 SOLDER TAIL AREA : GOLD  
 下地メッキ : ニッケルメッキ  
 UNDER PLATING : NICKEL  
 ネイル FITTING NAIL  
 スズメッキ  
 TIN  
 下地メッキ : ニッケルメッキ  
 UNDER PLATING : NICKEL

3.ソルダーテール半田付け面、及びネイル半田付け面の平坦度:0.15MAX.  
 COPLANARITY OF SOLDER TAILS AND FITTING NAILS  
 TO BE 0.15mm MAX.

4.ELV 及び RoHS適合品  
 ELV AND RoHS COMPLIANT



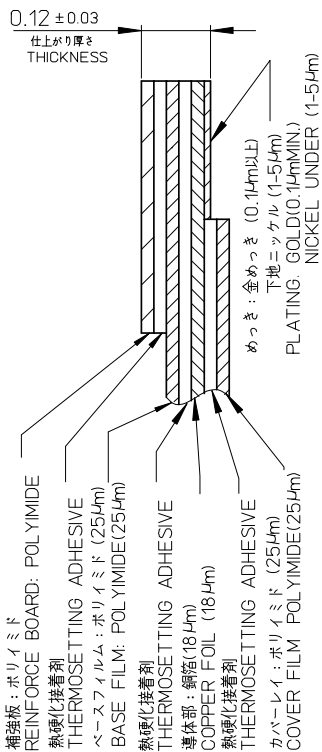
☒ : パターン及び半田禁止エリア  
 : PATTERN AND SOLDER PROHIBITION AREA

推奨基板寸法

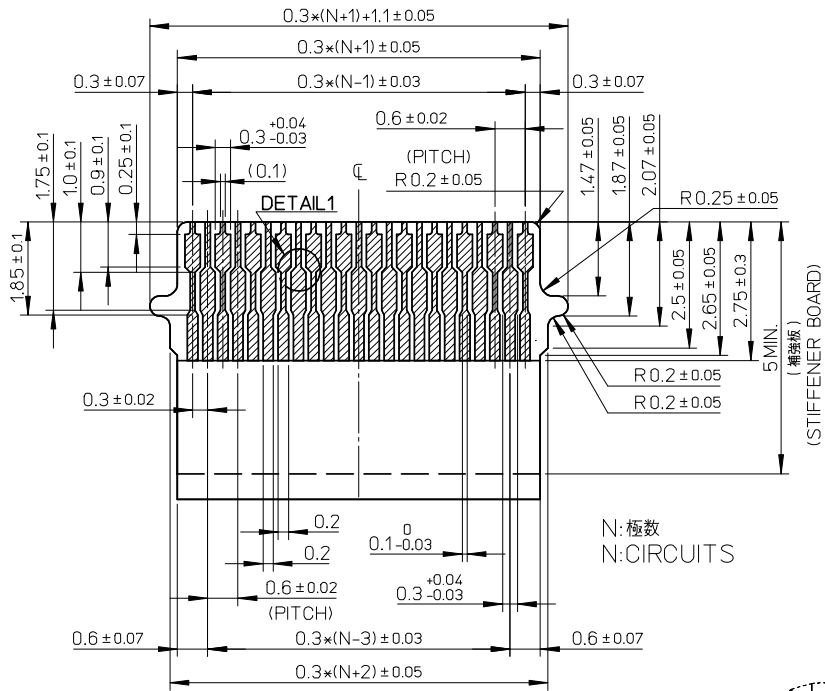
RECOMMENDED P.C.B. PATTERN LAYOUT

推奨メタルマスク仕様について:  
 厚さ: 0.11mm、開口率: 弊社推奨パターンに対し60%  
 ABOUT : METAL MASK SPECIFICATION  
 RECOMMENDED THICKNESS : 0.11mm  
 THE RECOMMENDED APERTURE RATE SHALL BE 60%  
 USING OUR RECOMMENDED P.C.B. PATTERN LAYOUT.

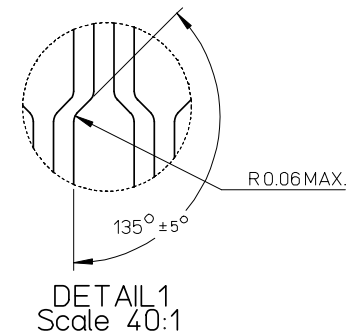
|                                                                                                                            |             |                                                            |        |                             |                               |                                                                                       |                        |                        |  |
|----------------------------------------------------------------------------------------------------------------------------|-------------|------------------------------------------------------------|--------|-----------------------------|-------------------------------|---------------------------------------------------------------------------------------|------------------------|------------------------|--|
| SEE SHEET 1<br>EC NO.: J2008-4277<br>DRWN: TRSUZUKI 2008/06/17<br>CHKD: KMORIKAWA 2008/06/18<br>APPR: KMORIKAWA 2008/06/18 | DESCRIPTION | GENERAL TOLERANCES (UNLESS SPECIFIED)                      |        | DIMENSION STYLE<br>MM ONLY  |                               | SCALE<br>10:1                                                                         | DESIGN UNITS<br>METRIC | THIRD ANGLE PROJECTION |  |
|                                                                                                                            |             | 10 UNDER                                                   | ± 0.2  | DRAWN BY<br>TRSUZUKI        | DATE<br>2008/06/17            | TITLE<br>0.3 FPC CONN (H=0.62)<br>HSG ASSY BOTTOM CONTACT<br>GOLD WITH NICKEL BARRIER |                        |                        |  |
|                                                                                                                            |             | 10 OVER 30 UNDER                                           | ± 0.25 | CHECKED BY<br>KMORIKAWA     | DATE<br>2008/06/17            | MOLEX INCORPORATED                                                                    |                        |                        |  |
|                                                                                                                            |             | 30 OVER                                                    | ± 0.3  | APPROVED BY<br>HHRATA       | DATE<br>2008/06/17            |                                                                                       |                        |                        |  |
| ANGULAR                                                                                                                    | ± 1 °       | DRAFT WHERE APPLICABLE<br>MUST REMAIN<br>WITHIN DIMENSIONS |        | MATERIAL NO.<br>SEE SHEET 1 | DOCUMENT NO.<br>SD-502761-001 | SHEET NO.<br>2 OF 3                                                                   |                        |                        |  |



FPC構成推奨仕様  
STRUCTURE OF FPC



適合する金めっきFPC推奨寸法  
APPLICABLE FPC OF GOLD PLATING  
RECOMMENDED DIMENSION  
(仕上がり厚さ: 0.12±0.03)  
(THICKNESS: 0.12±0.03)



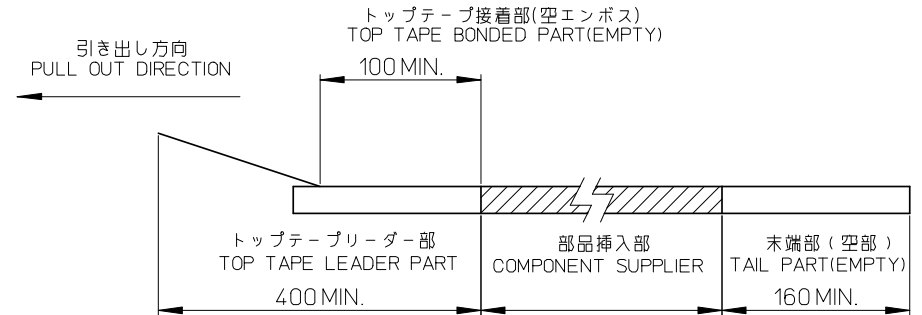
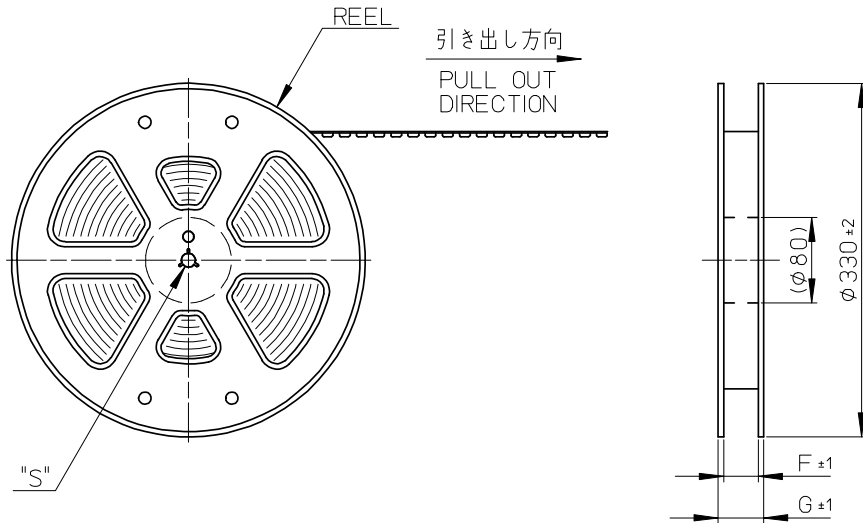
FPCについて:  
抜き方向は、導体側から補強板側を推奨致します。  
補強フィルム材質は、ポリイミドを推奨致します。  
接着剤は熱硬化接着剤を推奨致します。  
尚、接着剤の接点部への付着は導通不良の原因になりますので、  
染み出しが無い様、お願い致します。

ABOUT FPC:  
RECOMMENDED PUNCHER DIRECTION:  
FROM CONDUCTOR SIDE TO STIFFNER FILM SIDE.  
RECOMMENDED MATERIAL:  
STIFFENER FILM: POLYIMIDE  
BONDING AGENT: THERMOSETTING AGENT  
PLEASE PUT APPROPRIATE AMOUNT OF ADHESIVE ON ADHEREND  
BECAUSE THERE IS A POSSIBILITY THAT THE EXTRA ADHESIVE  
CAUSES THE DEFECT IN ELECTRICAL CONTINUITY.

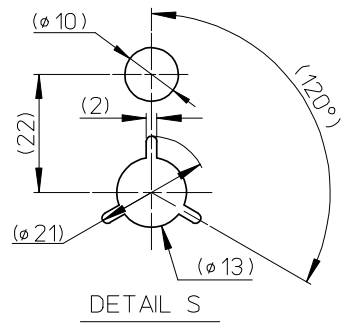
|                                                                                                                           |                                                                            |                                       |             |                            |                    |                                                                                       |                        |                        |  |  |
|---------------------------------------------------------------------------------------------------------------------------|----------------------------------------------------------------------------|---------------------------------------|-------------|----------------------------|--------------------|---------------------------------------------------------------------------------------|------------------------|------------------------|--|--|
| SEE SHEET 1<br>EC NO: J2008-4277<br>DRWN: TRSUZUKI 2008/06/17<br>CHKD: KMORIKAWA 2008/06/18<br>APPR: KMORIKAWA 2008/06/18 | DESCRIPTION<br>REV                                                         | GENERAL TOLERANCES (UNLESS SPECIFIED) |             | DIMENSION STYLE<br>MM ONLY |                    | SCALE<br>10:1                                                                         | DESIGN UNITS<br>METRIC | THIRD ANGLE PROJECTION |  |  |
|                                                                                                                           |                                                                            | 10 UNDER                              | ±0.2        | DRAWN BY<br>TRSUZUKI       | DATE<br>2008/06/17 | TITLE<br>0.3 FPC CONN (H=0.62)<br>HSG ASSY BOTTOM CONTACT<br>GOLD WITH NICKEL BARRIER |                        |                        |  |  |
|                                                                                                                           |                                                                            | 10 OVER 30 UNDER                      | ±0.25       | CHECKED BY<br>KMORIKAWA    | DATE<br>2008/06/17 | MOLEX INCORPORATED                                                                    |                        |                        |  |  |
|                                                                                                                           |                                                                            | 30 OVER                               | ±0.3        | APPROVED BY<br>HHRATA      | DATE<br>2008/06/17 |                                                                                       |                        |                        |  |  |
| A                                                                                                                         | ANGULAR ±1 °<br>DRAFT WHERE APPLICABLE<br>MUST REMAIN<br>WITHIN DIMENSIONS | SIZE<br>A3                            | SEE SHEET 1 |                            | MATERIAL NO.       | DOCUMENT NO.<br>SD-502761-001                                                         | SHEET NO.<br>3 OF 3    |                        |  |  |

NOTES

1. 製品詳細寸法につきましては、SD-502761-001 を参照ください。  
RE DETAILED DIMENSION, SEE SD-502761-001
2. 梱包数量：3000個/リール  
NUMBER OF CONNECTORS：3000PCS/REEL
3. リードテープの長さ  
LEAD TAPE LENGTH

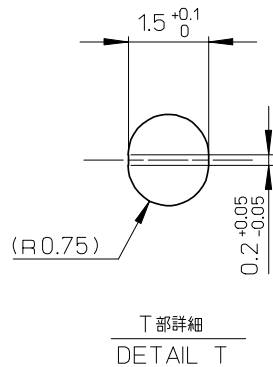
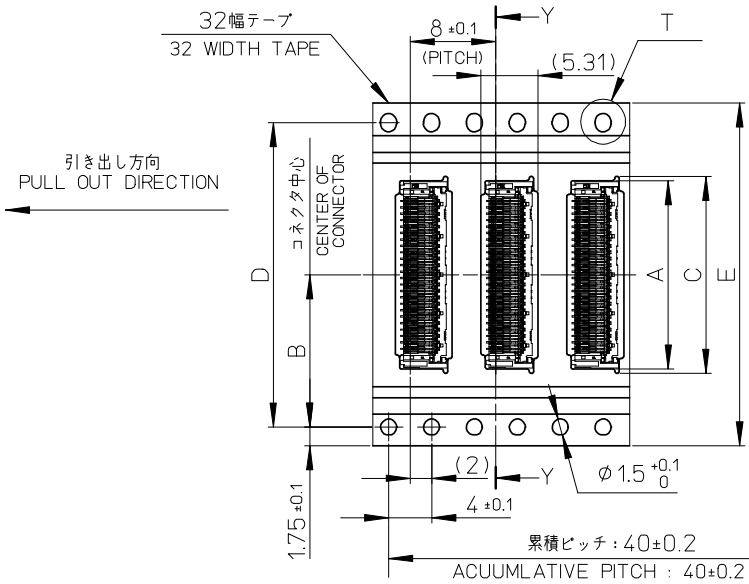


4. 材料(MATERIAL)  
 キャリアテープ(CARRIER TAPE)：ポリスチレン(POLYSTYRENE)  
 トップテープ(TOP TAPE)：PET, PE, PEF  
 リール(REEL)：ポリスチレン(POLYSTYRENE) <リサイクル材を含む>  
 <RECYCLE MATERIAL CONTAINED>
5. ELV 及び RoHS適合品  
ELV AND RoHS COMPLIANT.

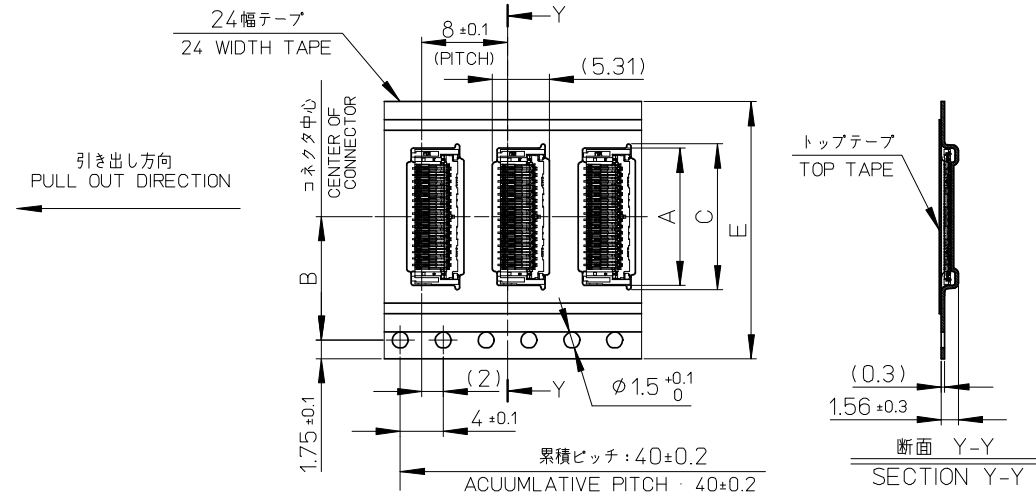


|                                                                                                                         |                                                      |            |                            |                                                                                                                               |                                                                            |                             |                        |                               |  |
|-------------------------------------------------------------------------------------------------------------------------|------------------------------------------------------|------------|----------------------------|-------------------------------------------------------------------------------------------------------------------------------|----------------------------------------------------------------------------|-----------------------------|------------------------|-------------------------------|--|
| RELEASED<br>EC NO: J2008-3700<br>DRWN: TRSUZUKI 2008/06/13<br>CH'KD: KMORIKAWA 2008/06/13<br>APPR: KMORIKAWA 2008/06/16 | GENERAL TOLERANCES (UNLESS SPECIFIED)                |            | DIMENSION STYLE<br>MM ONLY |                                                                                                                               | SCALE<br>---                                                               | DESIGN UNITS<br>METRIC      | THIRD ANGLE PROJECTION |                               |  |
|                                                                                                                         | 10 UNDER                                             | $\pm 0.2$  | DRAWN BY                   | DATE                                                                                                                          | TITLE                                                                      |                             |                        |                               |  |
|                                                                                                                         | 10 OVER 30 UNDER                                     | $\pm 0.25$ | TRSUZUKI                   | 2008/06/11                                                                                                                    | 0.3 FPC CONN (H=0.62)<br>EMBOSSED TAPE PACKAGE<br>GOLD WITH NICKEL BARRIER |                             |                        |                               |  |
|                                                                                                                         | 30 OVER                                              | $\pm 0.3$  | CHECKED BY                 | DATE                                                                                                                          |                                                                            |                             |                        |                               |  |
|                                                                                                                         | ANGULAR $\pm 1^\circ$                                |            | APPROVED BY                |                                                                                                                               | DATE                                                                       | MOLEX MOLEX INCORPORATED    |                        |                               |  |
|                                                                                                                         | DRAFT WHERE APPLICABLE MUST REMAIN WITHIN DIMENSIONS |            | HHRATA                     |                                                                                                                               | 2008/06/11                                                                 | MATERIAL NO.<br>SEE SHEET 2 |                        | DOCUMENT NO.<br>SD-502761-002 |  |
|                                                                                                                         |                                                      | SIZE<br>A3 |                            | THIS DRAWING CONTAINS INFORMATION THAT IS PROPRIETARY TO MOLEX INCORPORATED AND SHOULD NOT BE USED WITHOUT WRITTEN PERMISSION |                                                                            |                             |                        | SHEET NO.<br>1 OF 2           |  |

キャリアテープ幅: 32mm品



キャリアテープ幅: 24mm品



|      |      |                                     |      |      |      |      |                      |                |
|------|------|-------------------------------------|------|------|------|------|----------------------|----------------|
| 37.4 | 33.4 | 32±0.3                              | 28.4 | 18.4 | 14.2 | 17.6 | 502761-4900          | 49             |
| 29.4 | 25.4 | 24±0.3                              | ---  | 13.6 | 11.5 | 12.8 | 502761-3300          | 33             |
| G    | F    | E<br>キャリアテープ幅<br>CARRIER TAPE WIDTH | D    | (C)  | (B)  | (A)  | 製品番号<br>MATERIAL NO. | 極数<br>CIRCUITS |

|                                                                                                                           |                                       |                                                                                                                               |                                         |               |                                                                                     |                        |                        |  |
|---------------------------------------------------------------------------------------------------------------------------|---------------------------------------|-------------------------------------------------------------------------------------------------------------------------------|-----------------------------------------|---------------|-------------------------------------------------------------------------------------|------------------------|------------------------|--|
| SEE SHEET 1<br>EC NO: J2008-3700<br>DRWN: TRSUZUKI 2008/06/13<br>CHKD: KMORIKAWA 2008/06/13<br>APPR: KMORIKAWA 2008/06/16 | GENERAL TOLERANCES (UNLESS SPECIFIED) |                                                                                                                               | DIMENSION STYLE<br>MM ONLY              |               | SCALE<br>---                                                                        | DESIGN UNITS<br>METRIC | THIRD ANGLE PROJECTION |  |
|                                                                                                                           | 10 UNDER                              | ±0.2                                                                                                                          | DRAWN BY DATE<br>TRSUZUKI 2008/06/11    |               | TITLE<br>0.3 FPC CONN (H=0.62)<br>EMBOSSED TAPE PACKAGE<br>GOLD WITH NICKEL BARRIER |                        |                        |  |
|                                                                                                                           | 10 OVER 30 UNDER                      | ±0.25                                                                                                                         | CHECKED BY DATE<br>KMORIKAWA 2008/06/11 |               |                                                                                     |                        |                        |  |
|                                                                                                                           | 30 OVER                               | ±0.3                                                                                                                          | APPROVED BY DATE<br>HHRATA 2008/06/11   |               | MOLEX INCORPORATED                                                                  |                        |                        |  |
|                                                                                                                           | ANGULAR ±1 °                          |                                                                                                                               | MATERIAL NO.                            |               | DOCUMENT NO.                                                                        |                        | SHEET NO.              |  |
| DRAFT WHERE APPLICABLE MUST REMAIN WITHIN DIMENSIONS                                                                      |                                       | SEE CHART                                                                                                                     |                                         | SD-502761-002 |                                                                                     | 2 OF 2                 |                        |  |
| 0                                                                                                                         | REV                                   | THIS DRAWING CONTAINS INFORMATION THAT IS PROPRIETARY TO MOLEX INCORPORATED AND SHOULD NOT BE USED WITHOUT WRITTEN PERMISSION |                                         |               |                                                                                     |                        |                        |  |