

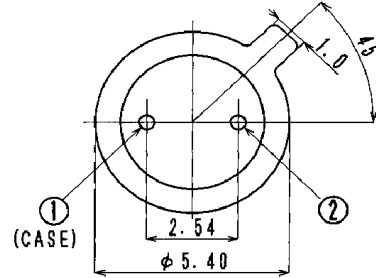
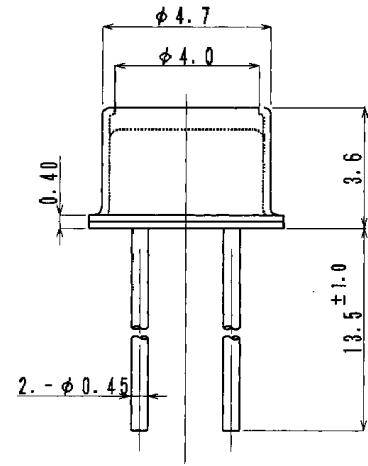
MT3740W-WT

Features

High Reliability
High Output Power
White Color

Applications

Color Sensor
Paper Sensor
Bar Code Reader
Fiber Optics



① Cathode ② Anode

Maximum Ratings (Ta=25°C)

Characteristic	Symbol	Max.	Test Condition	Unit
Forward Current	I _F	30	–	mA
Pulsed Forward Current	I _{FP}	.30	tw=10μS, T=10mS	A
Reverse Voltage	V _R	5	–	V
Power Dissipation	P _D	120.00	–	mW
Operating Temperature	T _{opr}	-20~+85	–	°C
Storage Temperature	T _{stg}	-30 ~+100	–	°C
Junction Temperature	T _j	100	–	°C
Soldering Temperature	T _{sol}	260	for 5 sec. max	°C

Opto-Electrical Characteristics (Ta=25°C)

Characteristic	Symbol	Test Condition	Min	Typ	Max	Unit
Forward Voltage	V _F	I _F =20mA	–	3.60	4.00	V
Reverse Current	I _R	V _R =5V	–	–	100	μA
Luminous Intensity	I _v	I _F =20mA	–	300.00	–	mcd
Half Intensity Beam Angle	θ	–	–	± 40°	–	deg.
Peak Wavelength	λ _p	I _F =20mA	–	465	–	nm
Dominant Wavelength	λ _d	I _F =20mA	–	x=.31, y=.32	–	nm
Spectral Line Half Width	Δλ	I _F =20mA	–	28	–	nm

Company Headquarters

3 Northway Lane North
Latham, New York 12110
Toll Free: 800.984.5337
Fax: 518.785.4725

West Coast Sales Office

950 South Coast Drive, Suite 265
Costa Mesa, California 92626
Toll Free: 800.984.5337
Fax: 714.850.9314

MT3740W-WT Graphs

