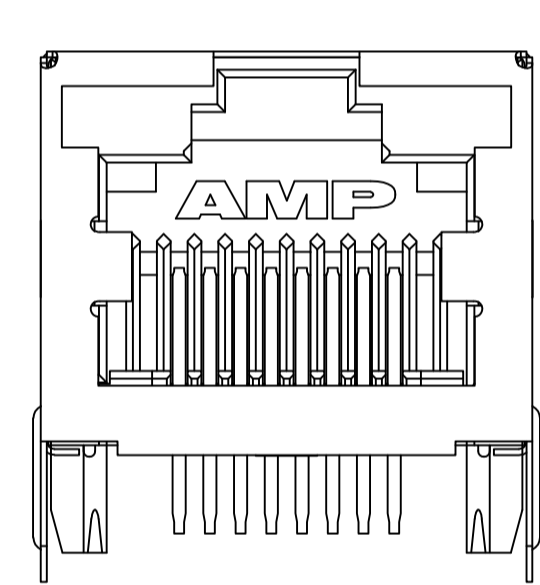


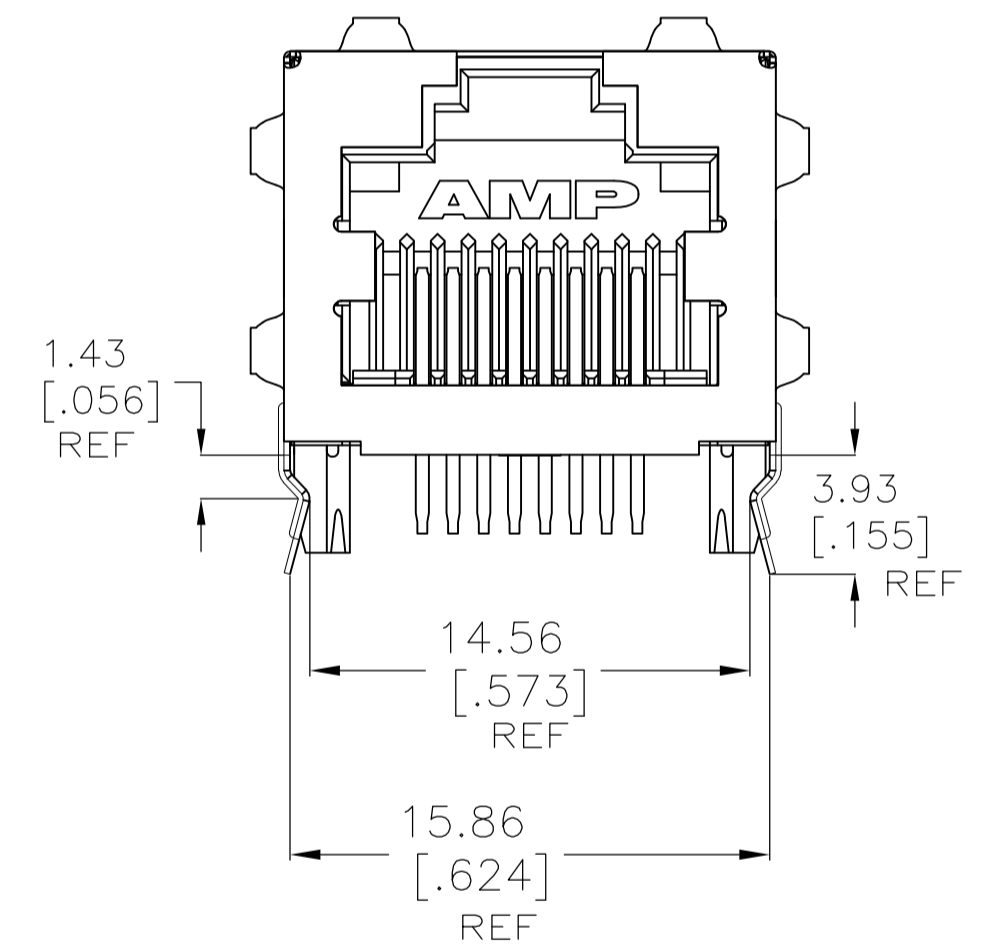
406541-1, -3, & -6  
1-406541-1, 1-3, 1-6 & 1-9

406541-4  
1-406541-4  
WITHOUT LOWER RIGHT PANEL GROUND

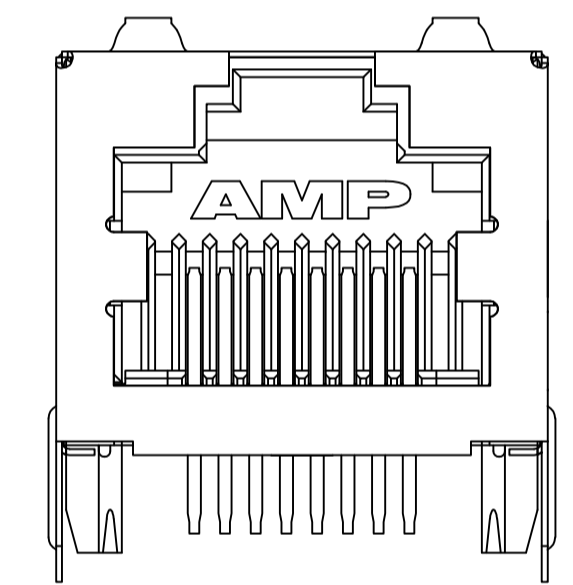
- MATERIAL:**  
 HOUSING - HIGH TEMPERATURE THERMOPLASTIC, COLOR: BLACK, UL94V-0  
 TERMINALS - 0.36[.014] THICK PHOS BRONZE PLATED WITH 3.81µm[.000150] MINIMUM THICK (SEE P/N TABLE) IN SOLDER AREA. 1.27µm[.000050] MINIMUM GOLD IN LOCALIZED PLATE AREA. ENTIRE TERMINAL PLATED WITH 1.27µm[.000050] MINIMUM THICK NICKEL.  
 SHIELD - 0.196[.0077] THICK COPPER ZINC ALLOY PREPLATED WITH 1.27µm[.000050] MINIMUM SATIN NICKEL WITH 2.03µm[.000080] MINIMUM TIN POST DIPPED ON PCB GROUND TABS.
- JACK CAVITY CONFORMS TO FCC RULES AND REGULATIONS PART 68, SUBPART F.
- 3** SUGGESTED PANEL OPENING DIMENSIONS.  
**4** SUGGESTED CLEARANCE BETWEEN TOP OF CONNECTOR AND TOP PANEL OPENING.  
**5** ON 406541-4 & 1-406541-4 LOWER RIGHT HAND PANEL GROUND TAB IS NOT PRESENT.  
**6** MANUFACTURING DATE CODE: LOCATED APPROX. AS SHOWN. FIRST 2 DIGITS = LAST 2 DIGITS OF YEAR. NEXT 2 DIGITS = MANUFACTURING WORK WEEK, LAST DIGIT = DAY OF WEEK WITH SUNDAY = 1.  
**7** OBSOLETE PARTS: OBSOLETE CIS STREAMLINING PER D.RENAUD/D.SINISI



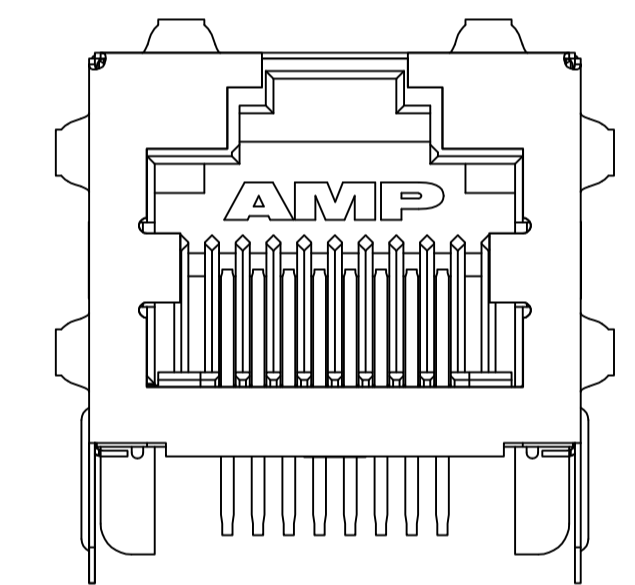
406541-5  
1-406541-5  
1-406541-8  
WITHOUT PANEL GROUNDS



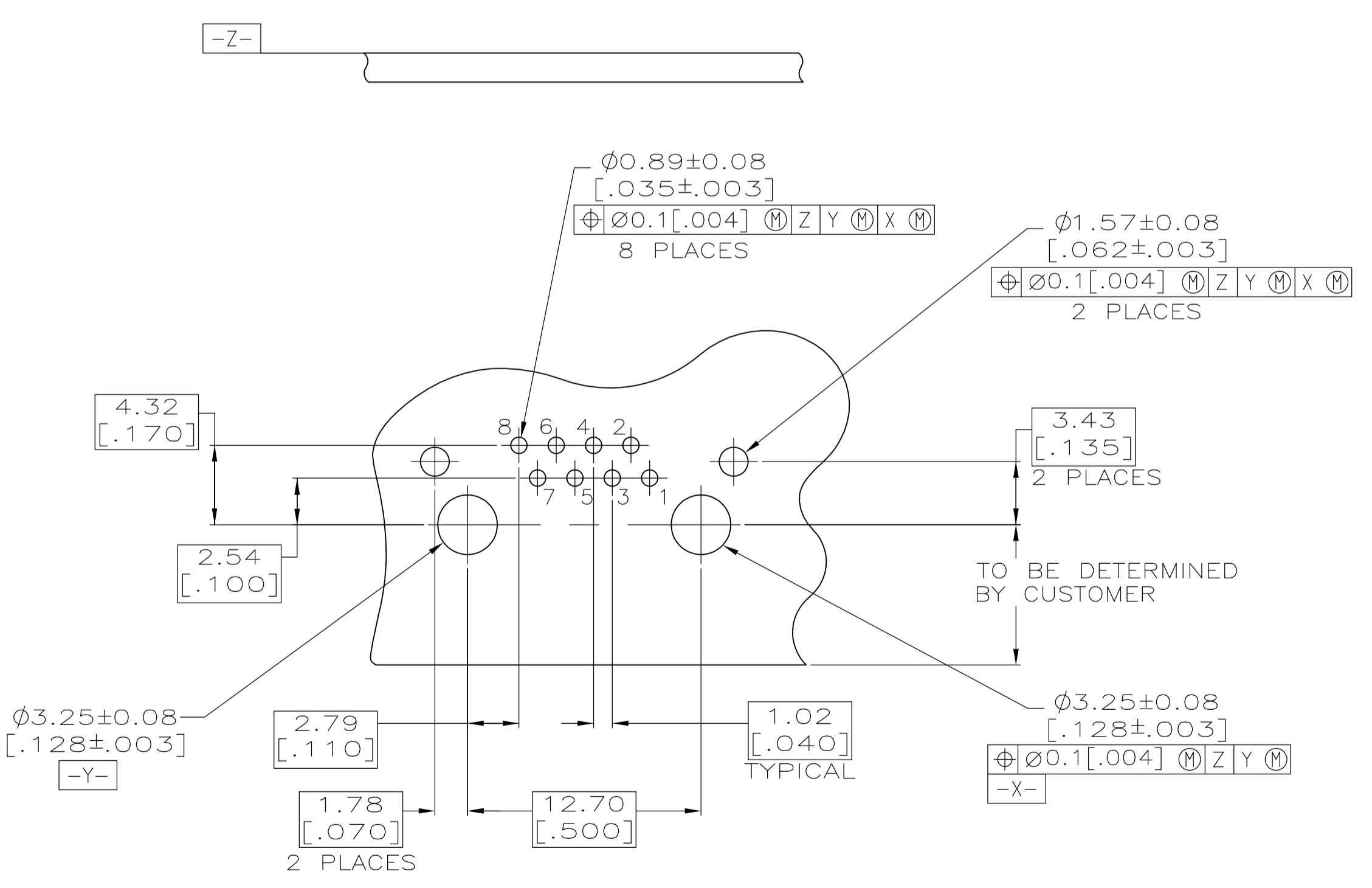
1-406541-7



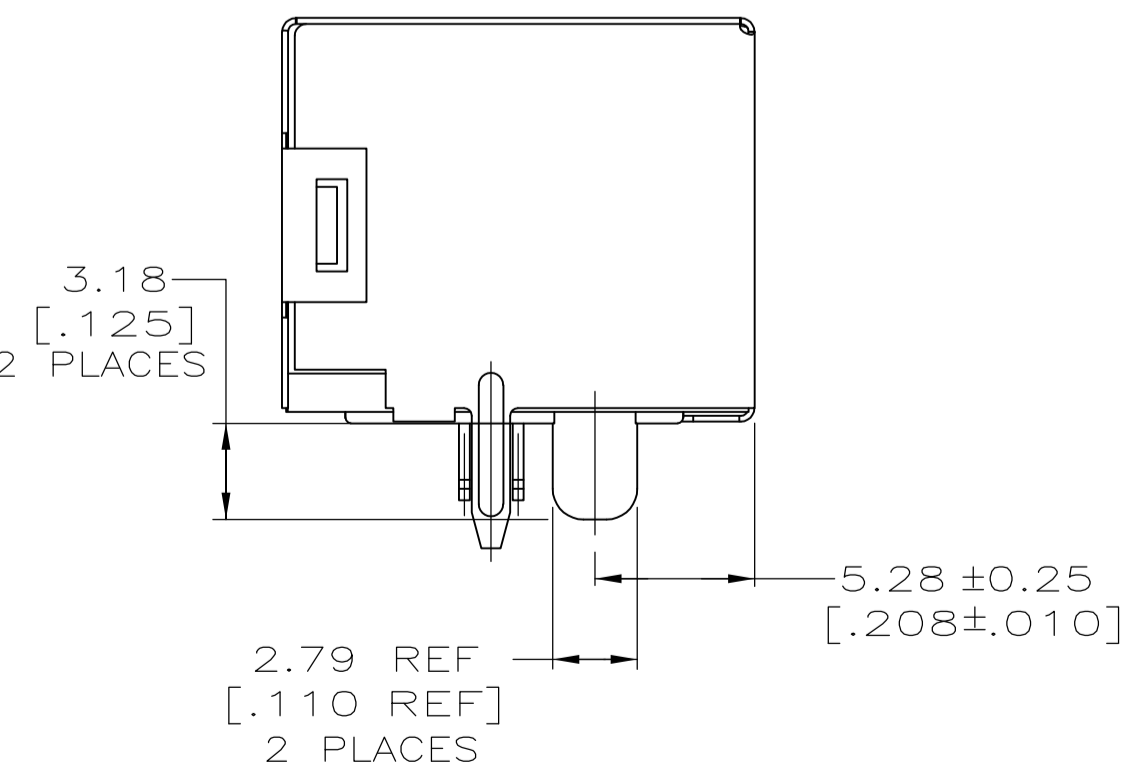
2-406541-1  
WITHOUT SIDE PANEL GROUND



2-406541-3  
NARROW POST TYPE



SUGGESTED PRINTED CIRCUIT BOARD LAYOUT (COMPONENT SIDE)



2-406541-0, 2-2  
NARROW POST TYPE

TERMINAL PLATING	PACKAGING	PANEL GROUNDS	DIM A	PART NUMBER
MATTE TIN	TRAY	6	3.05[.120]	2-406541-3
	TRAY	0	2.54[.100]	2-406541-2
	TRAY	2	2.54[.100]	2-406541-1
	TAPE/REEL	0	2.54[.100]	2-406541-0
	TRAY	6	3.05[.120]	1-406541-9
	TAPE/REEL	0	2.54[.100]	1-406541-8
	TRAY	6	2.54[.100]	1-406541-7
	TRAY	6	3.56[.140]	1-406541-6
	TRAY	0	2.54[.100]	1-406541-5
	TRAY	5	2.54[.100]	1-406541-4
BRIGHT TIN-LEAD	TRAY	6	2.54[.100]	1-406541-1
	TRAY	6	3.56[.140]	406541-6
	TRAY	0	2.54[.100]	406541-5
	TRAY	5	2.54[.100]	406541-4
	TRAY	6	2.00[.079]	406541-3
	TRAY	6	2.54[.100]	406541-1
OBSOLETE -3	TRAY	6	2.54[.100]	406541-6
	TRAY	0	2.54[.100]	406541-5
OBSOLETE	TRAY	5	2.54[.100]	406541-4
	TRAY	6	2.00[.079]	406541-3
TRAY	6	2.54[.100]	406541-1	

THIS DRAWING IS A CONTROLLED DOCUMENT. DIM: TS/LA.MAYER 09JAN2008  
 CHK: J.WESTMAN 09JAN2008  
 APVD: S.FLICKINGER 09JAN2008  
 NAME: INVERT MODULAR JACK ASSEMBLY 1 X 1, SHIELDED, PANEL GROUND

DIMENSIONS: mm [INCHES]	TOLERANCES UNLESS OTHERWISE SPECIFIED:	0 PLC ± -	1 PLC ± -	2 PLC ± 0.25[.010]	3 PLC ± -	4 PLC ± -	ANGLES ± -
MATERIAL: SEE TABLE	FINISH: SEE TABLE	WEIGHT: -	SIZE: A1	CAGE CODE: 00779	DRAWING NO: 406541	RESTRICTED TO: -	SCALE: 4:1 SHEET 1 OF 1 REV M9

CUSTOMER DRAWING