



actual size

JAS53P4 · AEC-Q200

4 Pad Version · 5.0 x 3.2 mm

- AEC-Q200 qualified
- recommended for automotive applications
- reflow soldering temperature: 260 °C max.
- metal/ceramic package



General Data

type	JAS53P4	
frequency range	9.0 ~ 50.0 MHz	(fund. AT-cut)
frequency tolerance at 25 °C	± 30 ppm, ± 50 ppm	
load capacitance C_L	12 pF standard	(option: 8 pF ~ 30.0 pF / series)
shunt capacitance C_0	< 7 pF	
storage temperature	-40 °C ~ +150 °C	
drive level max.	500 µW	(10 µW recommended)
aging	< ± 3 ppm first year	

ESR (series resistance Rs)

frequency in MHz	vibration mode	ESR max. in Ω	ESR typ. in Ω
9.0 ~ 14.999	fund.-AT	150	70
15.0 ~ 50.000	fund.-AT	100	50

Frequency Stability vs. Temperature

		± 20 ppm	± 50 ppm	± 80 ppm		
-20 °C ~ +70 °C	STD.	○	○	○		
-40 °C ~ +85 °C	T1	○	○	○		
-40 °C ~ +105 °C	T2		○	○		
-40 °C ~ +125 °C	T3			○		

○ available

Marking

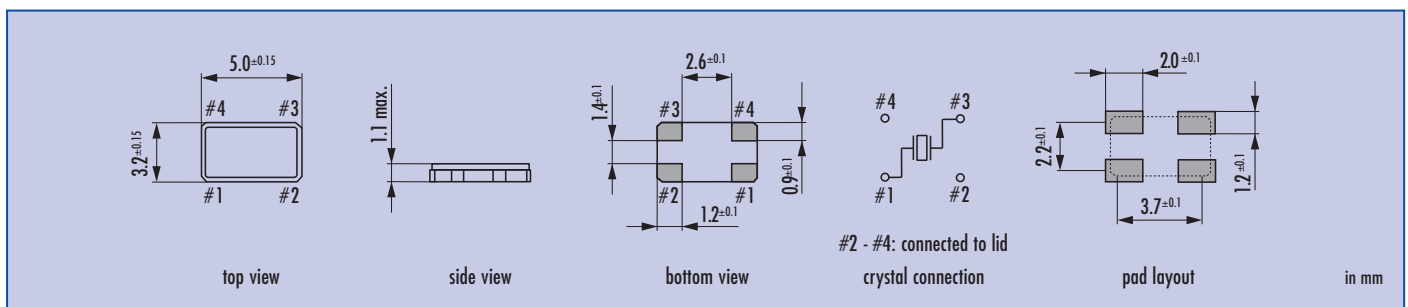
frequency with load capacitance code
company code / date code / internal code

date code: year / month
example: 9A = 2009 January

Jan.	Febr.	Mar.	Apr.	May	June
A	B	C	D	E	F

July	Aug.	Sept.	Oct.	Nov.	Dec.
G	H	J	K	L	M

Dimensions



Order Information

