

Low Capacitance Modular RJ Jacks

LCT Series



**UL Recognized
CSA Certified**



LCT Series

Capacitance components enhance the filtering performance but may alter the signal as it passes through the RJ Jack. A low capacitance model allows additional filter performance without significant effect on the signal itself. The new LCT models provide improved performance over L models without impact on the signal. These parts are particularly suited for ethernet applications.

These models are available in shielded models only, with either panel or board ground.

Typical insertion loss in dB:

Line-to-ground (stop band) in a 50 ohm circuit

	Frequency-MHz						
	40	100	200	250	300	500	1000
Ferrite Sleeves	8	12	27	50	38	25	20
Ferrite Blocks	10	18	22	55	40	28	24

Typical insertion loss in dB:

Line-to-line (pass band) in a 50 ohm circuit

	Frequency-MHz						
	2	5	10	30	50	70	100
Ferrite Sleeves		1.2	1.9	4	5	7	10
Ferrite Blocks	1	2	3	5	8	10	13

Specifications

Contacts:

Material:	Phosphor Bronze
Plating:	50 microinches gold
Barrier underplating:	100 microinches nickel
Resistance:	
Initial:	20 milliohms max.
After durability testing: (500 mating cycles)	30 milliohms max.

Capacitors:

Type:	Monolithic ceramic chip
Standard value:	82 pF
Standard tolerance:	±20%

Ferrites:

Type:	High resistivity, nickel zinc ceramic
Sleeves:	Single-aperture cylinders
Block:	Multi-aperture rectangular prism

Shield Material:

Tin-plated copper alloy

Housing Material:

Glass-filled polyester (UL94V-0)

Dielectric Withstanding Voltage:

Line-to-line and line-to-ground	1000 VAC for 60 seconds
---------------------------------	----------------------------

Printed Circuit Board Retention:

Before soldering:	1 lb. minimum
After soldering:	20 lb. minimum

Model dimensions and PC board layout on pages 170 to 174.

Part Numbers

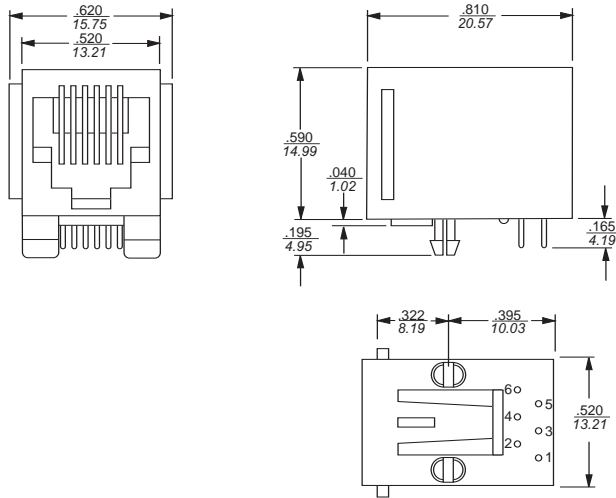
RJ11-6LCT1-S	RJ45-8LCT1-S
RJ11-6LCT1-B	RJ45-8LCT1-B
RJ11-6LCT2-S	RJ45-8LCT2-S
RJ11-6LCT2-B	RJ45-8LCT2-B

Model Dimensions

Standard Profile RJ Jack Dimensions

For the L, LC, LCT and X Series of RJ Jack Filters

RJ11 (No Shield)

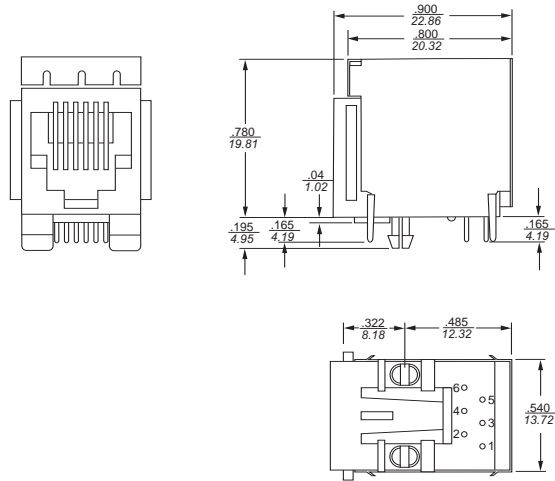


Part Numbers

RJ11-2L-S RJ11-2L-B
 RJ11-4L-S RJ11-4L-B
 RJ11-6L-S RJ11-6L-B

RJ11-2X
 RJ11-4X
 RJ11-6X

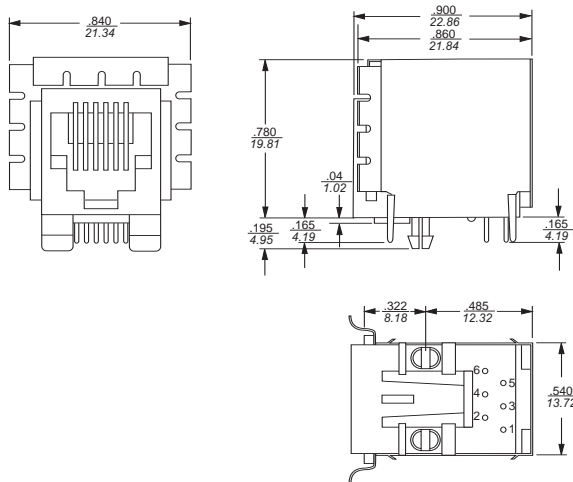
RJ11 (Style 2 Shield)



Part Numbers

RJ11-2LC2-S	RJ11-2LC2-B	RJ11-4L2-S	RJ11-6L2-B
RJ11-4LC2-S	RJ11-4LC2-B	RJ11-6L2-S	RJ11-6LCT2-S
RJ11-6LC2-S	RJ11-6LC2-B	RJ11-4L2-B	RJ11-6LCT2-B

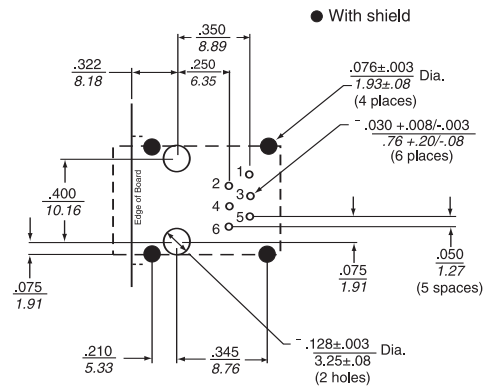
RJ11 (Style 1 Shield)



Part Numbers

RJ11-2LC1-S	RJ11-2LC1-B	RJ11-4L1-S	RJ11-6L1-B
RJ11-4LC1-S	RJ11-4LC1-B	RJ11-6L1-S	RJ11-6LCT1-S
RJ11-6LC1-S	RJ11-6LC1-B	RJ11-4L1-B	RJ11-6LCT1-B

RJ11 (PC Board Layout)



Shown from Component Side

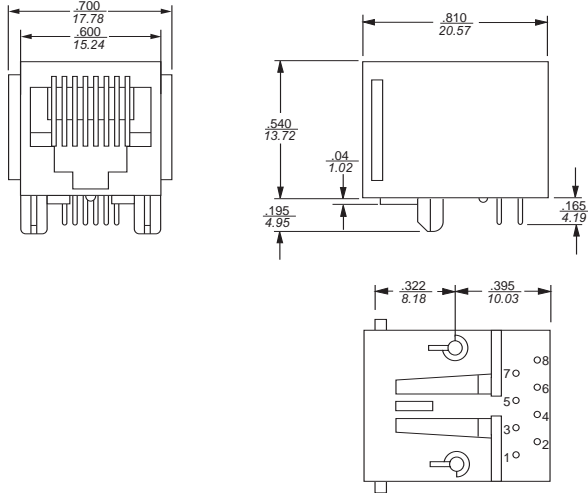
For all RJ11 L, LC, LCT and X Series Models

Model Dimensions (Continued)

Standard Profile RJ Jack Dimensions (cont'd)

For the L, LC, LCT and X Series of RJ Jack Filters

RJ45 (No Shield)

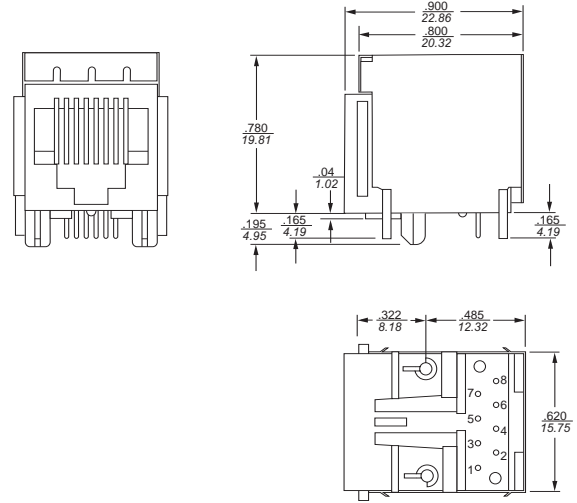


Part Numbers

RJ45-6L-S
RJ45-8L-S
RJ45-6L-B

RJ45-8L-B
RJ45-6X
RJ45-8X

RJ45 (Style 2 Shield)



Part Numbers

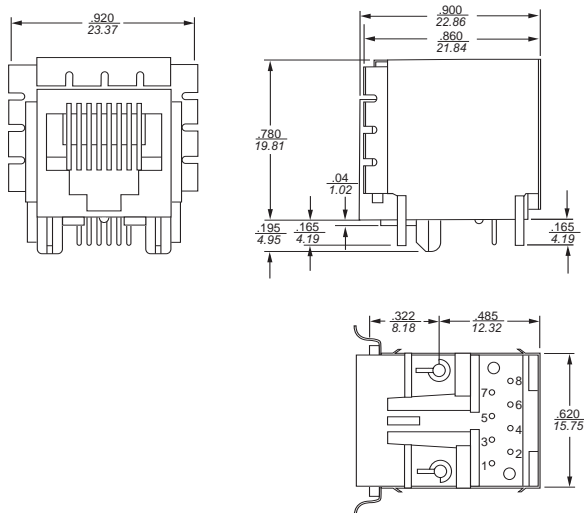
RJ45-6LC2-S
RJ45-6L2-S
RJ45-8LCT2-S

RJ45-8LC2-S
RJ45-8L2-S
RJ45-8LCT2-B

RJ45-6LC2-B
RJ45-6L2-B

RJ45-8LC2-B
RJ45-8L2-B

RJ45 (Style 1 Shield)



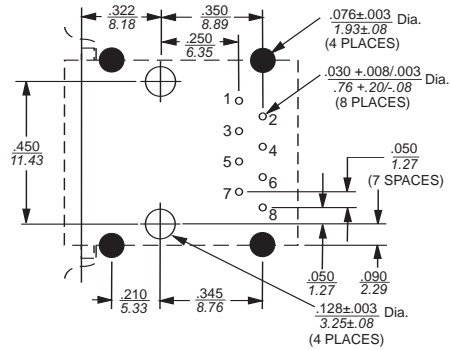
Part Numbers

RJ45-6LC1-S
RJ45-6L1-S
RJ45-8LCT1-S

RJ45-8LC1-S
RJ45-8L1-S
RJ45-8LCT1-B

RJ45-6LC1-B
RJ45-6L1-B
RJ45-8LC1-B
RJ45-8L1-B

RJ45 (PC Board Layout)



Shown from Component Side

For all RJ45 L, LC, LCT and X Series Models.

Part Numbers

RJ45-6LC2-S
RJ45-6L2-S
RJ45-8LCT2-B

RJ45-8LC2-S
RJ45-8L2-S
RJ45-8LCT2-S

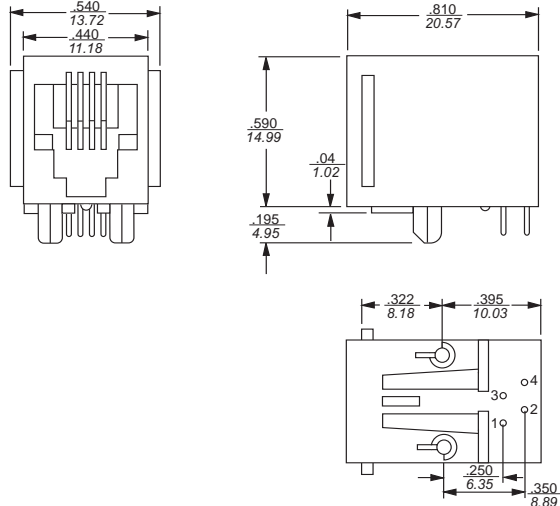
RJ45-6LC2-B
RJ45-6L2-B

RJ45-8LC2-B
RJ45-8L2-B

Model Dimensions (Continued)

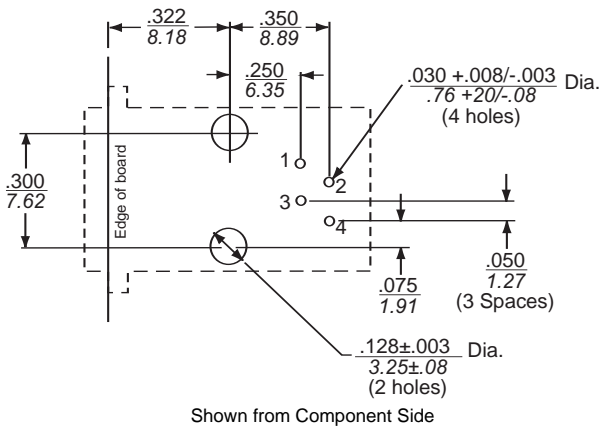
Standard Profile RJ Jack Dimensions (cont'd)
For the L, LC, LCT and X Series of RJ Jack Filters

RJH (No Shield)



Part Numbers
RJH-4-L-B

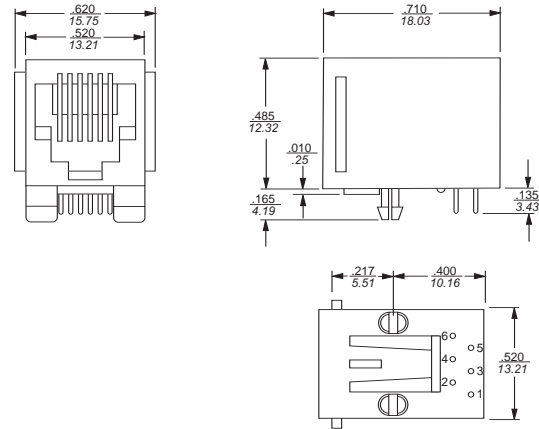
RJH (No Shield - PC Board Layout)



All tolerances ± 0.010 [0.25] unless otherwise noted.

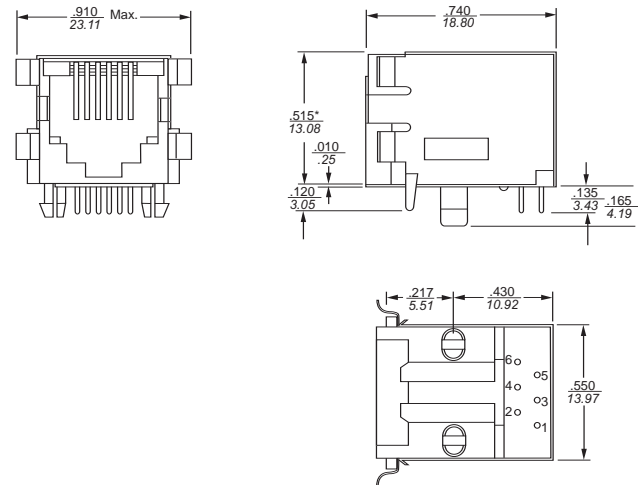
Low Profile RJ Jack Dimensions
For the N and Z Series of RJ Jack Filters

RJ11 (Low Profile - No Shield)



Part Numbers
RJ11-6N-B RJ11-6N-S RJ11-6Z

RJ11 Low Profile (Style 3 Shield)



Part Numbers
RJ11-6N3-B RJ11-6N3-S RJ11-6Z3

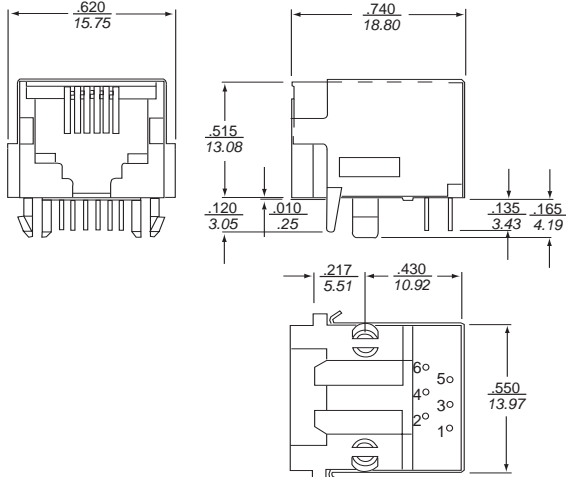
*To top of shield

Model Dimensions (Continued)

Low Profile RJ Jack Dimensions (cont'd)

For the N and Z Series of RJ Jack Filters

RJ11 Low Profile (Style 4 Shield)

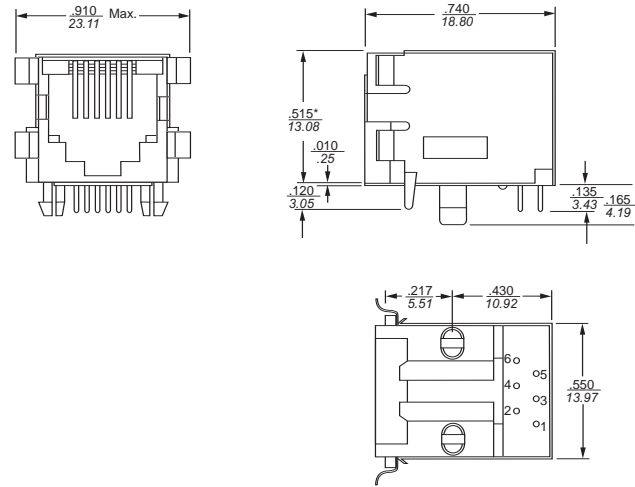


Part Numbers

RJ11-6N4-B RJ11-6N4-S

RJ11-6Z4

RJ45 Low Profile (No Shield)

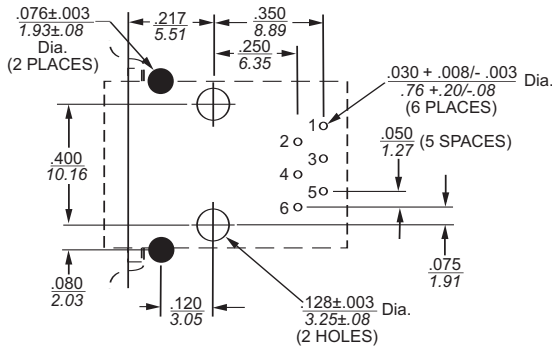


Part Numbers

RJ11-6N3-B RJ11-6N3-S

RJ11-6Z3

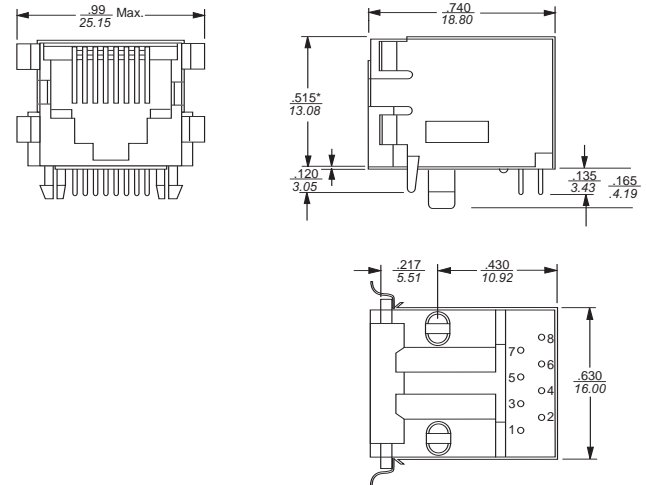
RJ11 Low Profile (PC Board Layout)



Shown from Component Side

For all RJ11 N and Z Series Models

RJ45 Low Profile (Style 3 Shield)



Part Numbers

RJ45-8N3-B RJ45-8N3-S

RJ45-8Z3

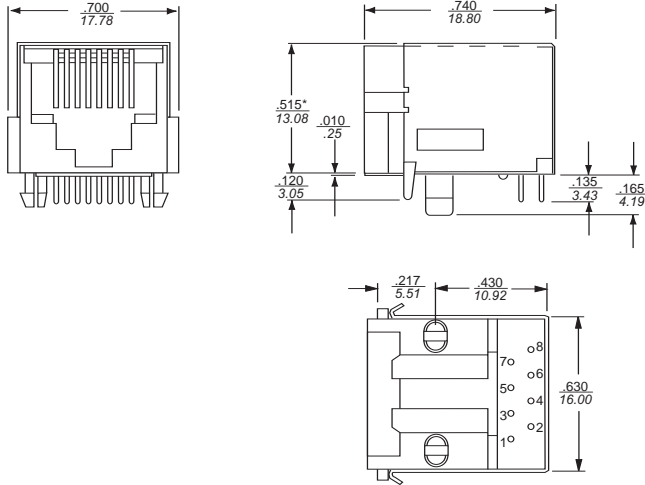
*To top of shield

Model Dimensions (Continued)

Low Profile RJ Jack Dimensions (cont'd)

For the N and Z Series of RJ Jack Filters

RJ45 Low Profile (Style 4 Shield)



Part Numbers

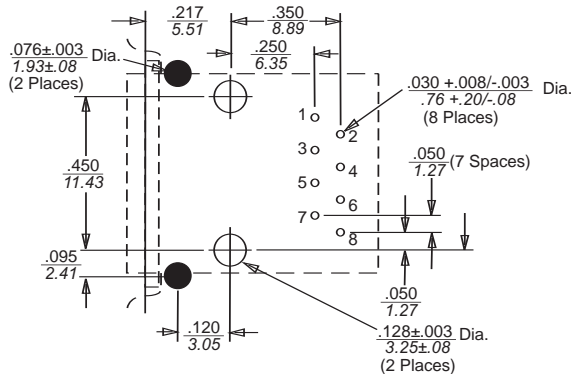
RJ45-8N4-B

RJ45-8N4-S

RJ45-8Z4

*To top of shield

RJ45 Low Profile (PC Board Layout)



Shown from Component Side

For all RJ45 N and Z Series Models

All tolerances ± 0.010 [0.25] unless otherwise noted.