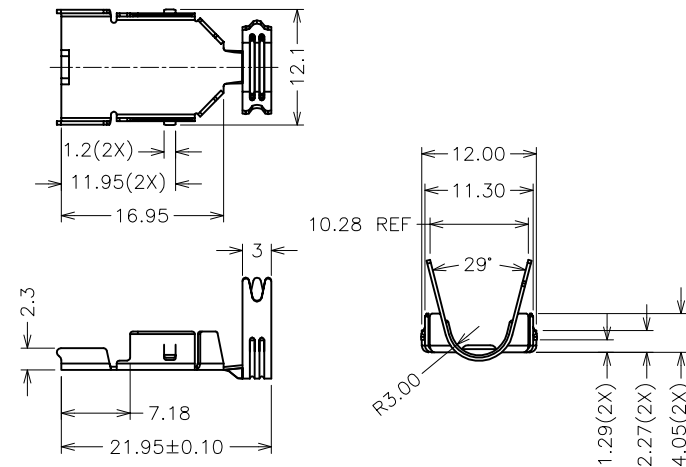
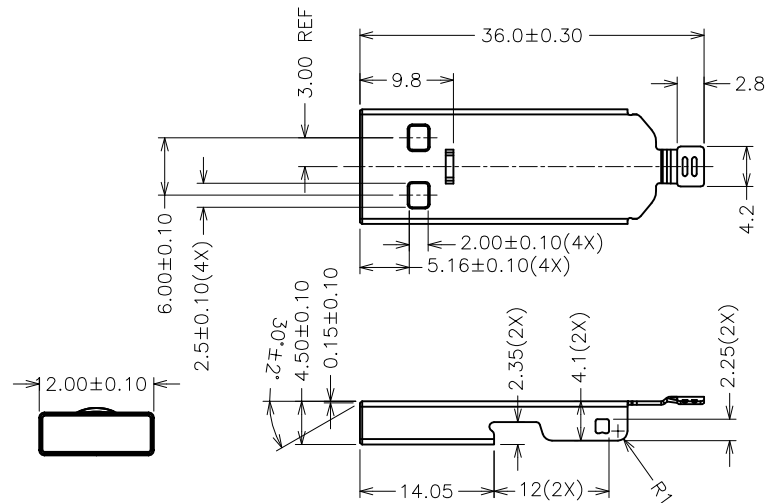
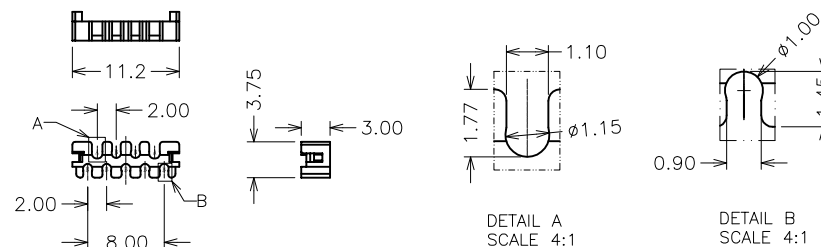
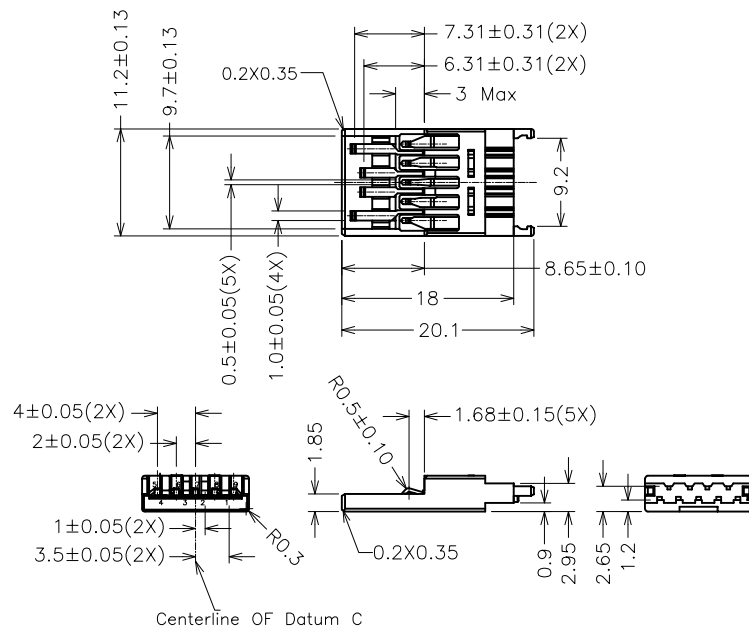


REVISION RECORD		
REV	DESCRIPTION	DRFT



① ②
④ ③



MM (INCH)		DFTD Roy	DATE 11/20/2012	Pulse Electronics		RoHS Compliant	
TOLERANCES EXCEPT AS NOTED		CHKD	DATE	TITLE USB 3.0 A TYPE PLUG			
MM	±	APPVL	DATE	DRAWING NO. E8199-060-01			
.1 ± 0.38	±	MATERIAL :		/PART NO. E8199-060-01		SIZE A3	REV 01
.0 ± 0.30	±	QTY :		DO NOT SCALE DRAWING			
.00 ± 0.25	±	FINISH :		SHEET 1 OF 2			
ANGLES : X: ±5° XX: ±2°		SCALE : 1:1					
THIRD ANGLE PROJECTION							

8 7 6 5 4 3 2 1

REVISION RECORD		
REV	DESCRIPTION	DRFT

NOTES:

1.MACHANICAL

MATING FORCE: 3.50Kg(35N) MAX.
 UNMATING FORCE: 1.02Kg(10N) MAX.
 DURABILITY: 1500CYCLES.

2.ELECTRICAL

CONTACT RESISTANCE: 30mΩ MAX. FOR PIN1 & PIN4
 50mΩ MAX.FOR OTHER CONTACTS.
 DIELECTRICAL WITHSTANDING VOLTAGE: 100V AC/1min min.
 INSULATION RESISTANCE: 100MΩ min.

3.MATERIALS

HOUSING: NYLON, UL 94V-0
 CONTACT: COPPER ALLOY
 SHIELD: STEEL
 PALTING: CONTACTS: 15u" GOLD PLATING ON CONTACT AREA,
 80u" TIN ON SOLDER TAIL, UNDERPLATING 50u" NICKEL.
 SHIELD: 80u"NICKEL UNDERPLATING 80u" COPPER.

OPERATION TEMPERATURE:-20°C to +80°C

NO	COMPONENT NAME	MATERIAL&PLATING SPECIFICATION	QTY
1	TOP SHIELD	PLATING: 80u"Cu UNDERPLATING AND 80u"NICKEL PLATING ALL OVER STEEL	1Pcs
2	BOTTOM SHIELD	PLATING: 80u"Cu UNDERPLATING AND 80u"NICKEL PLATING ALL OVER STEEL	1Pcs
3	WIRE SLOT	PA66, UL94V-2, COLOR:BLACK	1Pcs
4	MAIN BODY	PA9T COLOR: BLUE (Pantone 300C)	1Pcs

DETACHED LISTS			DFTD Roy	DATE 11/20/2012		RoHS Compliant
	TOLERANCES EXCEPT AS NOTED		CHKD	DATE		
	MM ± 0.38	±	APPVL	DATE	TITLE USB 3.0 A TYPE PLUG	
	.0 ± 0.30	±	MATERIAL :			
	.00 ± 0.25	±	ANGLES : X, X' ±5° X, X' ±2°		QTY :	DRAWING NO. E8199-060-01
		FINISH :		SCALE : 1:1	SIZE A3	REV 01
THIRD ANGLE PROJECTION					DO NOT SCALE DRAWING	
					SHEET 2	OF 2

8

7

6

5

4

3

2

1

H
G
F
E
D
C
B
A