

# Flush-type connector - SACC-DSI-M5FS-4CON-L180 - 1530650

Please be informed that the data shown in this PDF Document is generated from our Online Catalog. Please find the complete data in the user's documentation. Our General Terms of Use for Downloads are valid (<http://phoenixcontact.com/download>)



Sensor/actuator flush-type socket, 4-pos., M5, prewall/screw mounting, with straight solder connection

## Your advantages

- ✓ Easy PCB assembly: one-piece connectors for wave soldering



## Key Commercial Data

Packing unit	20 pc
GTIN	
GTIN	4046356024457

## Technical data

### Ambient conditions

Ambient temperature (operation)	-25 °C ... 85 °C
Degree of protection	IP67

### General

Rated current at 40°C	1 A
Rated voltage	60 V
Number of positions	4
Insulation resistance	≥ 100 MΩ
Coding	A - standard
Standards/regulations	M5 connector IEC 61076-2-105
Status display	No
Overvoltage category	II
Degree of pollution	3
Test voltage	800 V
Connection method	Solder pins
Mounting type	Rear mounting M5 x 0.5 With locking nut

# Flush-type connector - SACC-DSI-M5FS-4CON-L180 - 1530650

## Technical data

### Material

Flammability rating according to UL 94	HB
Contact material	CuSn
Contact surface material	Au
Contact carrier material	PA 6.6
Material, knurls	Nickel-plated brass
Sealing material	Viton

### Cable

Standards/specifications	M5 connector IEC 61076-2-105
--------------------------	------------------------------

### Standards and Regulations

Standards/specifications	M5 connector IEC 61076-2-105
Flammability rating according to UL 94	HB

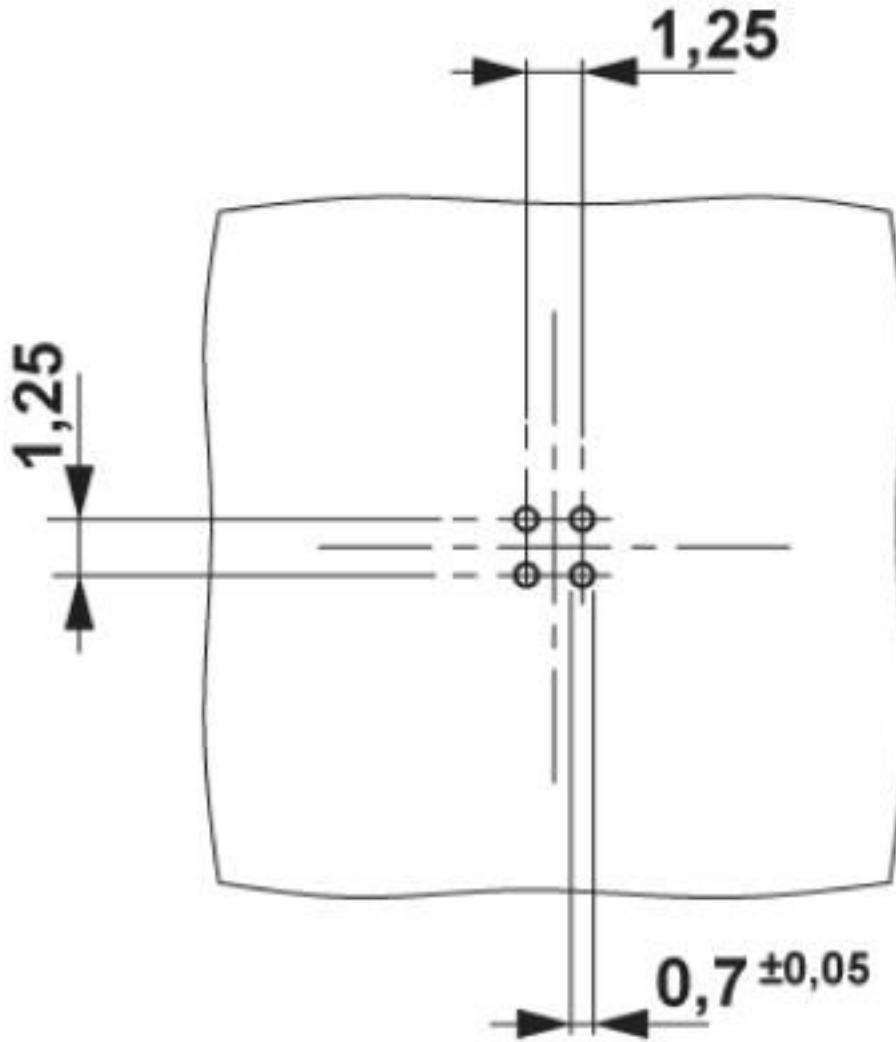
### Environmental Product Compliance

REACH SVHC	Lead 7439-92-1
China RoHS	Environmentally Friendly Use Period = 50 years
	For details about hazardous substances go to tab "Downloads", Category "Manufacturer's declaration"

## Drawings

# Flush-type connector - SACC-DSI-M5FS-4CON-L180 - 1530650

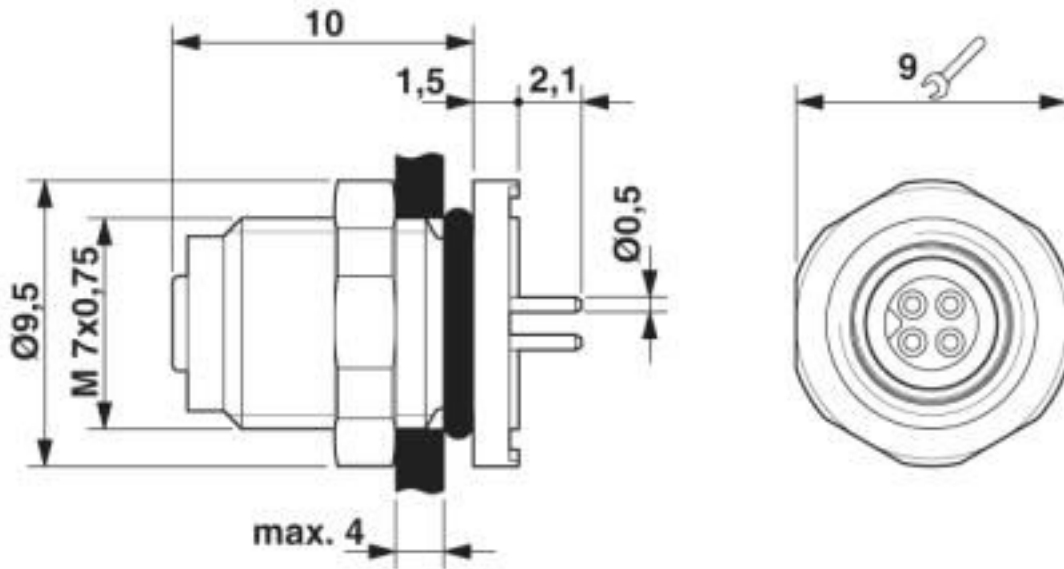
Drilling diagram



M5 flush-type socket

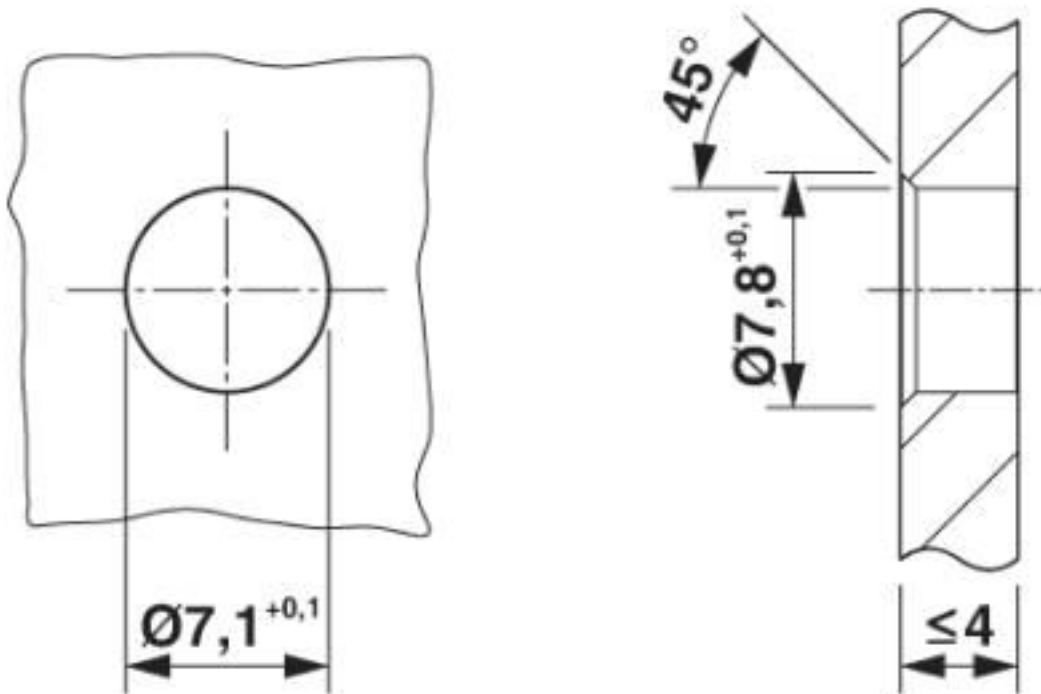
# Flush-type connector - SACC-DSI-M5FS-4CON-L180 - 1530650

Dimensional drawing



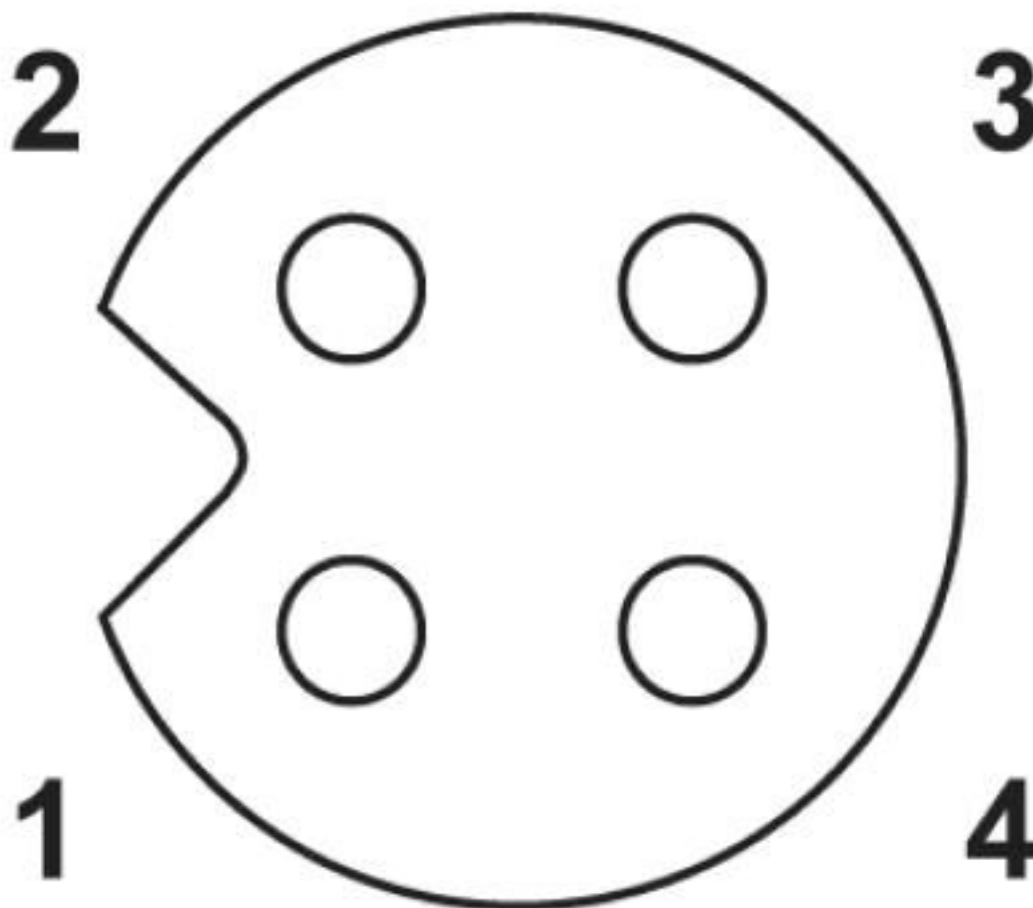
M5 flush-type socket

Dimensional drawing



# Flush-type connector - SACC-DSI-M5FS-4CON-L180 - 1530650

Schematic diagram



Pin assignment M5 socket, 4-pos., D-coded, view female side

## Classifications

eCl@ss

eCl@ss 10.0.1	27440102
eCl@ss 4.0	27140800
eCl@ss 4.1	27140800
eCl@ss 5.0	27143400
eCl@ss 5.1	27143400
eCl@ss 6.0	27279200
eCl@ss 7.0	27440103
eCl@ss 8.0	27440103
eCl@ss 9.0	27440102

ETIM

ETIM 2.0	EC001297
----------	----------

# Flush-type connector - SACC-DSI-M5FS-4CON-L180 - 1530650

## Classifications

### ETIM

ETIM 3.0	EC002061
ETIM 4.0	EC002062
ETIM 5.0	EC002061
ETIM 6.0	EC002061

### UNSPSC

UNSPSC 6.01	31251501
UNSPSC 7.0901	31251501
UNSPSC 11	31251501
UNSPSC 12.01	31251501
UNSPSC 13.2	39121413
UNSPSC 18.0	39121413
UNSPSC 19.0	39121413
UNSPSC 20.0	39121413
UNSPSC 21.0	39121413

## Approvals

### Approvals

---

Approvals


EAC

---

Ex Approvals

---

### Approval details

EAC		B.01687
-----	---	---------