

THIS DRAWING IS UNPUBLISHED.

RELEASED FOR PUBLICATION

2011

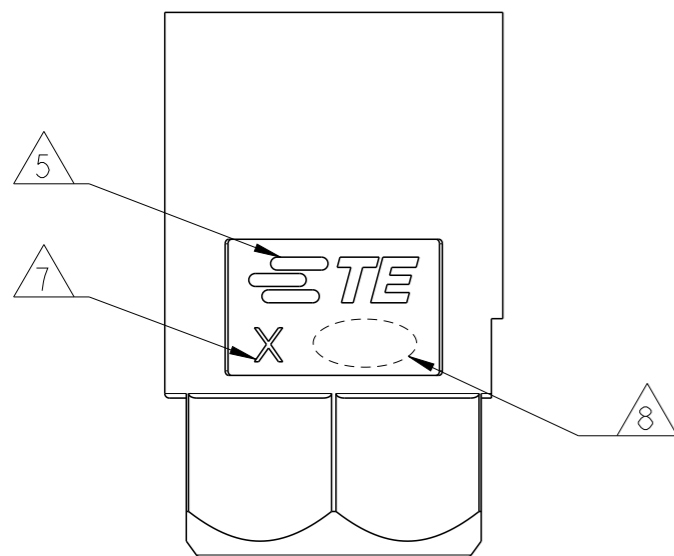
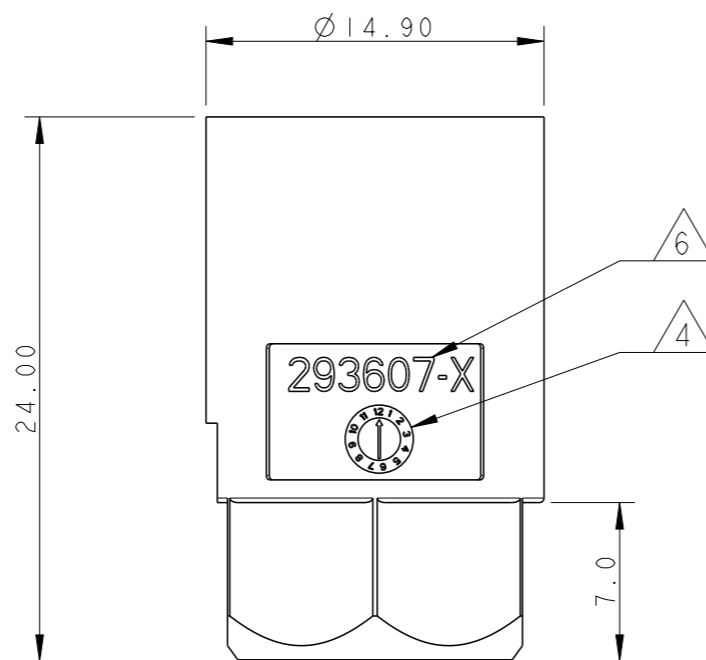
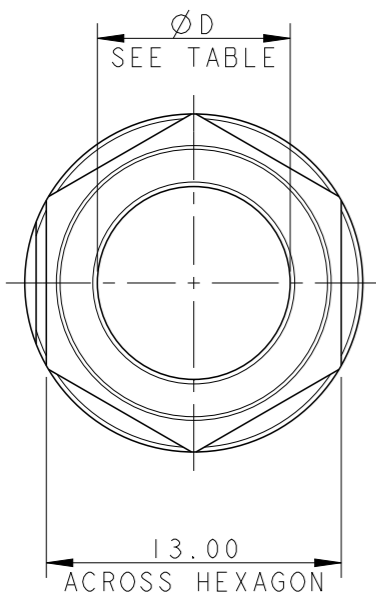
© COPYRIGHT 2011 BY -

ALL RIGHTS RESERVED.

LOC 1  
DIST -

REVISIONS

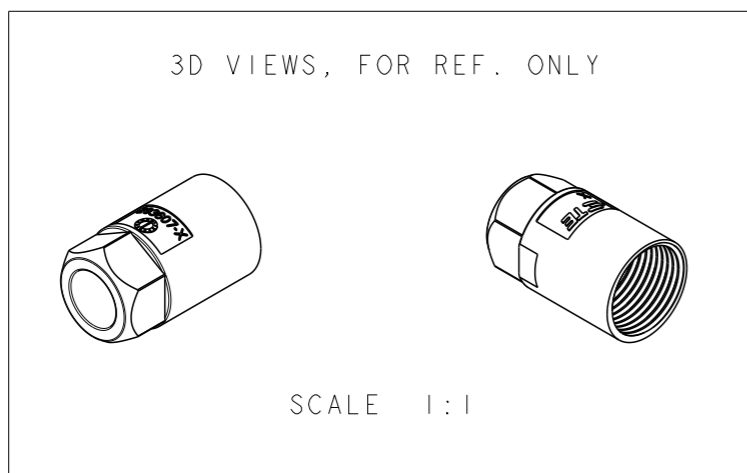
| P  | LTR | DESCRIPTION  | DATE      | DWN | APVD |
|----|-----|--|-----------|-----|------|
| G1 |     | REVISED DRAWING                                    | 01NOV2012 | MZ  | JC   |
| G2 |     | REVISED CABLE RANGE                                | 03JUL2013 | MZ  | JC   |
| G3 |     | ADDED PARTS -3, -4, 1-3, 1-4 AND REVISED DRAWING   | 31JUL2013 | KR  | JC   |
| G4 |     | PARTS -3, 1-3, -4, AND 1-4 RELEASED FOR PRODUCTION | 19FEB2015 | KR  | MZ   |



NOTES:

- 1 MATERIAL: POLYAMIDE GLASS FILLED COLOUR NATURAL
- 2 MATERIAL: POLYAMIDE GLASS FILLED COLOUR BLACK
- 3) PACKAGING: SEE TE PACKAGING SPECIFICATION 107-20294
- 4 DATE CODE
- 5 TE LOGO
- 6 TE PART NUMBER
- 7 CAVITY MOULD ID
- 8 AREA FOR AGENCY APPROVAL LOGO

| NET WT (g) | DIM "D" NOM. | CABLE RANGE DIA. (min - MAX) | CABLE TYPE | MATERIAL / COLOUR | DESCRIPTION                                    | REV. | PART NO.   |
|------------|--------------|------------------------------|------------|-------------------|--|------|------------|
| ~1.6       | 11.10        | 9.50 - 10.40                 | 3G H05VV-F | 2                 | PLASTIC NUT FOR CABLE RETENTION NECTOR* M-LINE | A    | 1-293607-4 |
| ~1.9       | 10.10        | 8.50 - 9.40                  | 3G H05VV-F | 2                 | PLASTIC NUT FOR CABLE RETENTION NECTOR* M-LINE | A    | 1-293607-3 |
| ~1.7       | 10.00        | 9.00 - 9.90                  | 3G H05VV-F | 2                 | PLASTIC NUT FOR CABLE RETENTION NECTOR* M-LINE | G    | 1-293607-2 |
| ~2.1       | 8.50         | 7.50 - 8.40                  | 3G H05VV-F | 2                 | PLASTIC NUT FOR CABLE RETENTION NECTOR* M-LINE | G    | 1-293607-1 |
| ~1.6       | 11.10        | 9.50 - 10.40                 | 3G H05VV-F | 1                 | PLASTIC NUT FOR CABLE RETENTION NECTOR* M-LINE | A    | 293607-4   |
| ~1.9       | 10.10        | 8.50 - 9.40                  | 3G H05VV-F | 1                 | PLASTIC NUT FOR CABLE RETENTION NECTOR* M-LINE | A    | 293607-3   |
| ~1.7       | 10.00        | 9.00 - 9.90                  | 3G H05VV-F | 1                 | PLASTIC NUT FOR CABLE RETENTION NECTOR* M-LINE | G    | 293607-2   |
| ~2.1       | 8.50         | 7.50 - 8.40                  | 3G H05VV-F | 1                 | PLASTIC NUT FOR CABLE RETENTION NECTOR* M-LINE | G    | 293607-1   |



THIS DRAWING IS A CONTROLLED DOCUMENT.

|                                |  |
|--------------------------------|--|
| DIMENSIONS: mm                 | TOLERANCES UNLESS OTHERWISE SPECIFIED: |
|                                | 0 PLC ±-                               |
|                                | 1 PLC ±0.3                             |
|                                | 2 PLC ±0.20                            |
|                                | 3 PLC ±-                               |
|                                | 4 PLC ±-                               |
|                                | ANGLES ±3°                             |
| MATERIAL SEE NOTE 1 AND NOTE 2 | FINISH -                               |

|                         |  |
|-------------------------|--|
| DWN M. ZUCCA 22FEB2010  | TE Connectivity<br>NAME PLASTIC RING NUT FOR CABLE RETENTION NECTOR* M-LINE<br>SIZE A300779 CAGE CODE G-293607<br>DRAWING NO 108-20304<br>APPLICATION SPEC 114-20152<br>WEIGHT SEE TABLE<br>Customer Drawing |
| CHK M. ZUCCA 22FEB2010  |  |
| APVD G. TURCO 22FEB2010 |  |
| PRODUCT SPEC            |  |
| RESTRICTED TO           | SCALE 3:1 SHEET 1 OF 1 REV G4  |