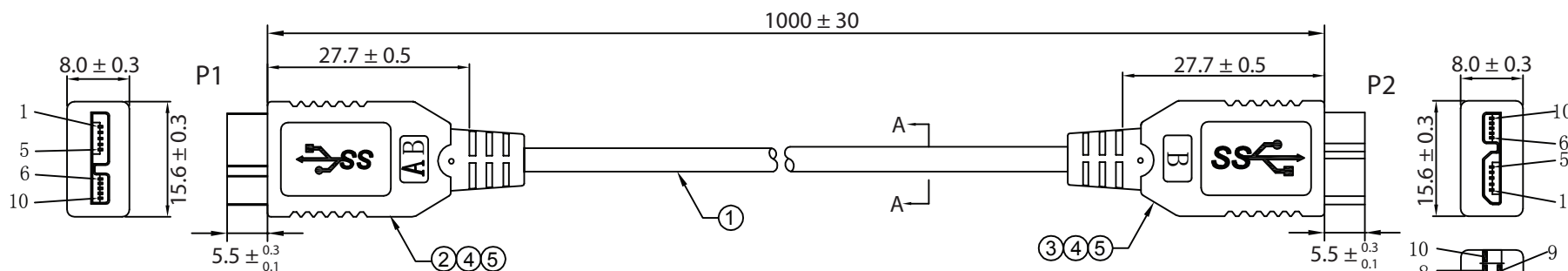
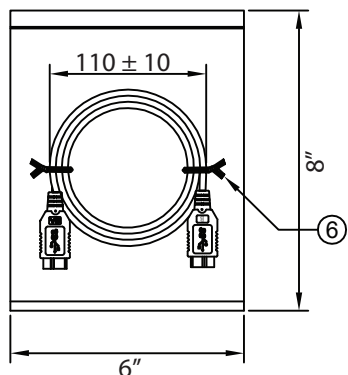


THESE DRAWINGS ARE THE PROPERTY OF QUALTEK ELECTRONICS AND NOT TO BE REPRODUCED FOR OR COMMUNICATED TO A THIRD PARTY WITHOUT THE EXPRESS WRITTEN PERMISSION OF AN OFFICER OF QUALTEK ELECTRONICS.

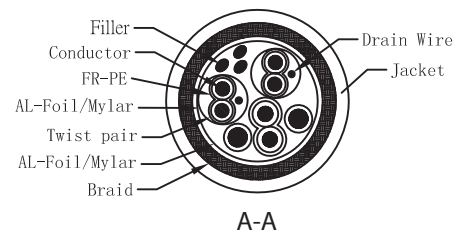
REVISION			
REV.	DESCRIPTION	DATE	APPROVED



WIRING:



P1	COLOR	P2
1	RED	1
2	WHITE	2
3	GREEN	3
5	BLACK	5
6	BLUE	6
7	YELLOW	7
8	DRAIN WIRE	8
9	PURPLE	9
10	ORANGE	10
SHIELD	BRAID	SHIELD



CONTROLLED

No.	PARTS NAME	SPECIFICATION STANDARD	QTY	REMARKS
①	CABLE	UL 20276 O.D. 5.5mm COLOR: BLACK	1	
②	MICRO USB3.0 A B M 10PIN GOLD PLATED	15U" SHELL NICKEL PLATED INSULATOR BLACK	1	
③	MICRO USB3.0 B M 10PIN GOLD PLATED	15U" SHELL NICKEL PLATED INSULATOR BLACK	1	
④	PVC	45P PVC BLACK	14	g
⑤	PE	CLEAR PE	3	g
⑥	CABLE TIE	L=9cm COLOR: BLACK	2	

NOTES:

- CABLE: UL20276
(1Px30AWG+D+AL+MY)x2C+1Px30AWG+2Cx24AWG+AL+B
OUTER JACKET: BLACK, O.D.: 5.5mm
- CONNECTORS: MICRO USB 3.0 A MALE TO MICRO USB 3.0 B MALE
- HOOD: MOLDED TYPE, COLOR: BLACK
- PACKING: 1PC/POLYBAG
- RoHS COMPLIANT

Qualtek Electronics Corp.
WCI DIVISION

Part Number: **3023007-01M**

RoHS Compliant

Description:
MICRO USB 3.0 A/B/M - MICRO USB 3.0 B/M

0-1	0.15	UNIT: mm	Drawn / Date	Checked / Date	Approved / Date
1-6	0.20				
6-18	0.30				
18-50	0.50				
50-120	0.70				
120-250	0.90				
250-500	1.20				

Drawn / Date

Checked / Date

Approved / Date

R.Nuti
06-25-10

06-25-10

LY / 06-25-10