

Operation: SMT/直立式 中型 轻触开关 [柄长/操作力可定制]



LTEM NO.: TS-1102W-*** (Series)

(L6.0×W6.0 TACT-SWITCH)

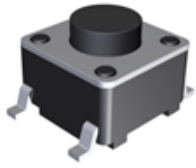
表面貼裝 SMT

正向操作

精密部品 NICETY

可靠 STABILIZE

適合環保 RoHS

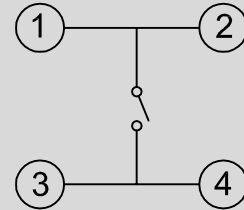


Technical parameter

PROJECT	LEVEL	A[better product]		B[average product]	
	Contact Rating	25mA, 24V DC			
Electrical	Initial Contact Resistance	50mΩ max.			
Properties	Insulation Resistance	100MΩ min.500V DC	Skey/PD: 100MΩ min.300V DC		
	Withstand Voltage	500V AC for 1 minute	350 V AC for 1 minut		
Durable Performance	There No Load	115,000 Cycles	100,000 Cycles		
	Rated Load	100,000 Cycles	850,000 Cycles		
	Storage temp.	-40℃~+85℃(Operating Temp:)			
	Operating Force	1.6 / 2.6N. (1N.=100gram-force)			
	Heat Rrsistance	IR Reflow:255℃, 5sec. Manual:350℃, 3sec.			

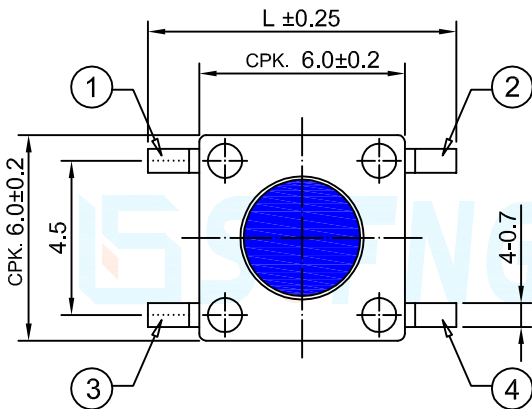
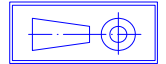
Material declaration		
No.	NAME	Description
① A	拨柄	PA6T (Black)热塑性
② B	基座	PA6T (Black)热塑性
③ C	盖板	不锈钢 Q235-A
④ D	簧片	镀银&磷青铜 C5191/不锈钢 SUS304
⑤ E	嵌件	镀银&C5191R-H 磷青铜(镀锡)

CIRCUIT DIAGRAM

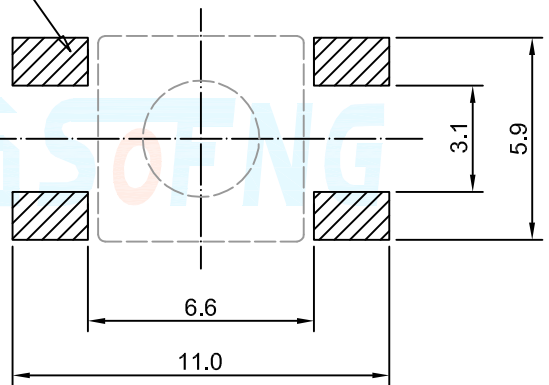


Unit:mm

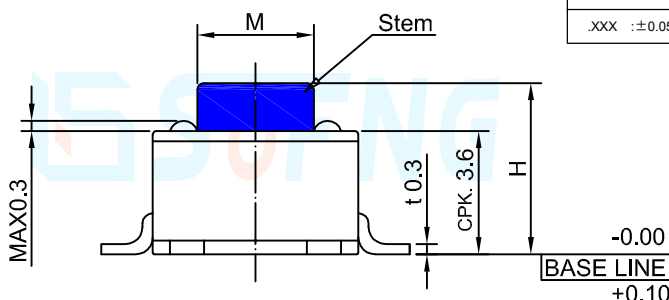
P.C.B LAYOUT



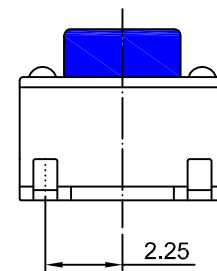
4-SMT SOLDER AREA



DECIMALS	ANGLES
.X :±0.20	X.° :±1.5°
.XX :±0.10	X.X° :±1.0°
.XXX :±0.05	.XXX° :±0.5°



TRAVEL:0.25 DOWN



	H	M
	4.3	3.5
	5.0	3.5
	5.5	3.5
	6.0	3.4
	6.5	3.4
	7.0	3.3
	~9.5	3.3
	10.0	3.0
	~16.0	3.0

L	8.0	9.0	10.0
---	-----	-----	------