

**PLEASE CHECK WWW.MOLEX.COM FOR LATEST PART INFORMATION**

**Part Number:** **0673298000**  
**Status:** **Active**  
**Description:** Universal Serial Bus (USB) Shielded I/O Receptacle, Type A, Single Upright Right Angle, Solder Tail Length 2.00mm (.079"), Kinked Pins, PCB Thickness 1.20mm (.045") and 1.60mm (.062"), Gold (Au) Flash, Lead Free

**Documents:**

[3D Model](#) [Product Specification PS-89485 \(PDF\)](#)  
[Drawing \(PDF\)](#) [RoHS Certificate of Compliance \(PDF\)](#)

**Agency Certification**

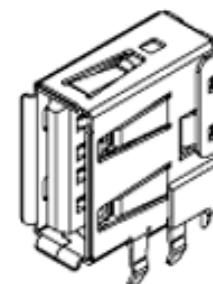
UL E29179

**General**

Product Family I/O Connectors  
 Series [67329](#)  
 Application Wire-to-Board  
 Comments Standard Mount Type  
 Component Type Receptacle  
 Product Name USB  
 Type A

**Physical**

Boot Color N/A  
 Circuits (Loaded) 4  
 Circuits (maximum) 4  
 Flammability 94V-0  
 Gender Receptacle  
 Lock to Mating Part Yes  
 Material - Plating Mating Gold  
 Material - Plating Termination Tin  
 Number of Rows 4  
 Orientation Upright  
 PC Tail Length (in) 0.079 In  
 PC Tail Length (mm) 2.00 mm  
 PCB Locator Yes  
 PCB Retention Yes  
 PCB Thickness Recommended (in) 0.063 In  
 PCB Thickness Recommended (mm) 1.60 mm  
 Packaging Type Tray  
 Panel Mount No  
 Pitch - Mating Interface (in) 0.000 In  
 Pitch - Mating Interface (mm) 0.00 mm  
 Pitch - Term. Interface (in) 0.055 In  
 Pitch - Term. Interface (mm) 1.40 mm  
 Plating min: Mating (µin) 4  
 Plating min: Mating (µm) 0.1  
 Plating min: Termination (µin) 100  
 Plating min: Termination (µm) 2.5  
 Polarized to Mating Part Yes  
 Polarized to PCB Yes  
 Ports 1  
 Surface Mount Compatible (SMC) Yes  
 Termination Interface: Style Through Hole  
 Waterproof / Dustproof No



Series

image - Reference only

**EU RoHS**

**ELV and RoHS  
 Compliant**  
**REACH SVHC**  
 Not Reviewed  
**Halogen-Free  
 Status**  
**Not Reviewed**

**China RoHS**



**Need more information on product  
 environmental compliance?**

Email [productcompliance@molex.com](mailto:productcompliance@molex.com)  
 For a multiple part number RoHS Certificate of  
 Compliance, [click here](#)

Please visit the [Contact Us](#) section for any  
 non-product compliance questions.

**Search Parts in this Series**  
[67329Series](#)

**Mates With**  
 USB Type A Plug

**Electrical**

Current - Maximum per Contact

1A

Shield Type

Full Shield

Shielded

Yes

**Material Info****Reference - Drawing Numbers**

Product Specification

PS-89485

Sales Drawing

SD-67329-801

This document was generated on 03/31/2010

**PLEASE CHECK [WWW.MOLEX.COM](http://WWW.MOLEX.COM) FOR LATEST PART INFORMATION**

10 9 8 7 6 5 4 3 2 1

NOTES :

1. MATERIAL :

HOUSING : HIGH TEMPERTURE NYLON ,GLASS FIBER, UL94-V0 , COLOR: BLACK  
 TERMINAL : PHOSPHOR BRONZE  
 METAL SHELL : COPPER ALLOY

2. PLATING :

TERMINAL :  
 CONTACT AREA : (a) GOLD FLASH.  
 (b) GLOD (Au), THICKNESS = 30 MICROINCH/0.76 MICROMETER  
 SOLDER TAIL : PURE TIN(Sn),  
 THICKNESS= 75 MICROINCH /1.9 MICROMETER

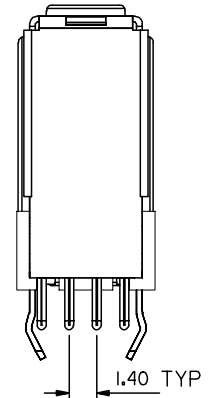
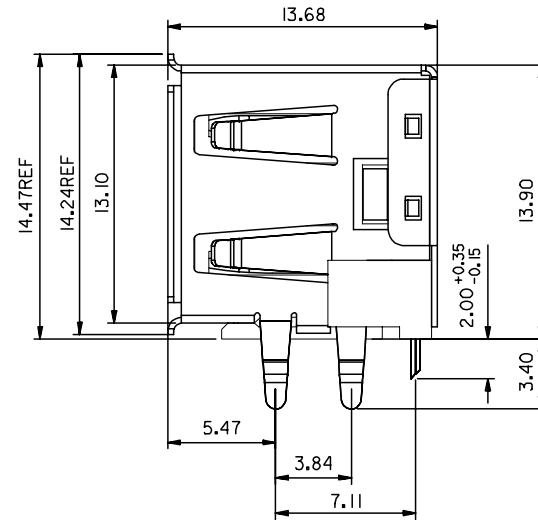
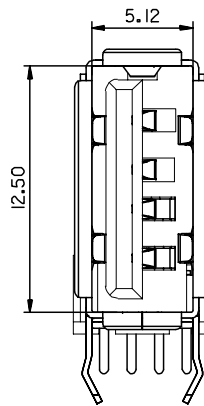
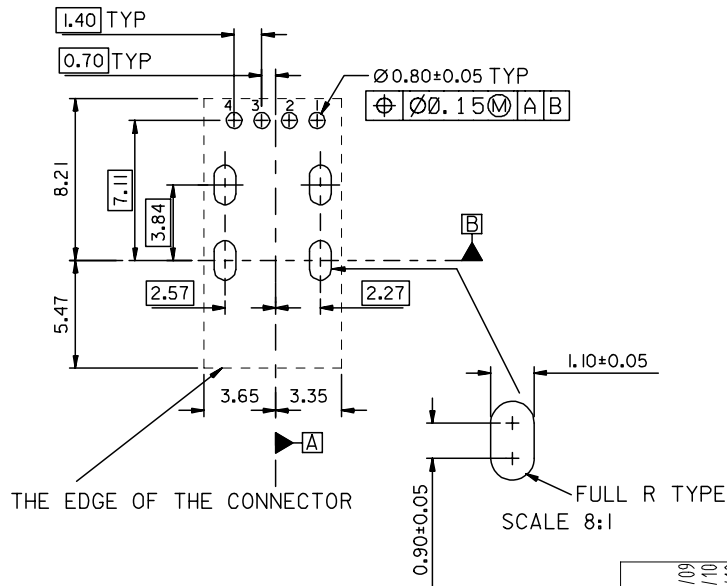
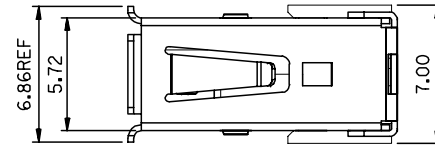
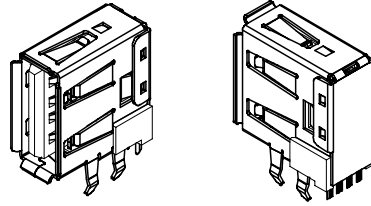
UNDER PLATE : NICKEL (Ni), THICKNESS= 50 MICROINCH/1.27 MICROMETER  
 METAL SHELL :  
 PURE TIN(Sn), THICKNESS=50-100MICROINCH/1.27-2.54MICROMETER.

UNDER PLATE : NICKEL (Ni), THICKNESS= 50 MICROINCH/1.27 MICROMETER

3 RECOMMENDED PCB THICKNESS : 1.20±0.05mm & 1.60±0.05 mm

4 PRODUCT SPECIFICATION : REFER TO PS-89485

5 PACKAGING SPECIFICATION : REFER TO PK-67329-001



PART NUMBER LEGEND:

P/N	CONTACT PLATING
67329-8000	GOLD FLASH
67329-8001	0.76 MICROMETER/30 MICROINCH GOLD

NEW RELEASE	EC NO:	2005/12/09	DRWN:HP/IAN	2006/01/10	CHKD:HARVEY	2006/01/10	APPR:HWANG	2006/01/10
	REV	A	DESCRIPTION					

QUALITY SYMBOLS	▽=0	▽C=0
-----------------	-----	------

GENERAL TOLERANCES (UNLESS SPECIFIED)	mm	INCH
4 PLACES	± ---	± ---
3 PLACES	± ---	± ---
2 PLACES	± 0.25	± ---
1 PLACE	± 0.25	± ---
ANGULAR ± 3 °		
DRAFT WHERE APPLICABLE MUST REMAIN WITHIN DIMENSIONS		

DIMENSION STYLE		SCALE	DESIGN UNITS	THIRD ANGLE PROJECTION
MM ONLY		4:1	METRIC	
DRAWN BY	DATE	TITLE		
QIANHUIPING	2005/12/09	USB A UPRIGHT CONN. FLANGE OUT TYPE LEAD-FREE		
CHECKED BY	DATE			
HARVEY	2005/12/09			
APPROVED BY	DATE			
GARY	2005/12/09			
MATERIAL NO.	DOCUMENT NO.			
67329-800*	SD-67329-801			
SIZE				
A3	THIS DRAWING CONTAINS INFORMATION THAT IS PROPRIETARY TO MOLEX INCORPORATED AND SHOULD NOT BE USED WITHOUT WRITTEN PERMISSION			

MOLEX INCORPORATED		SHEET NO.
		1 OF 1

9 8 7 6 5 4 3 2 1