

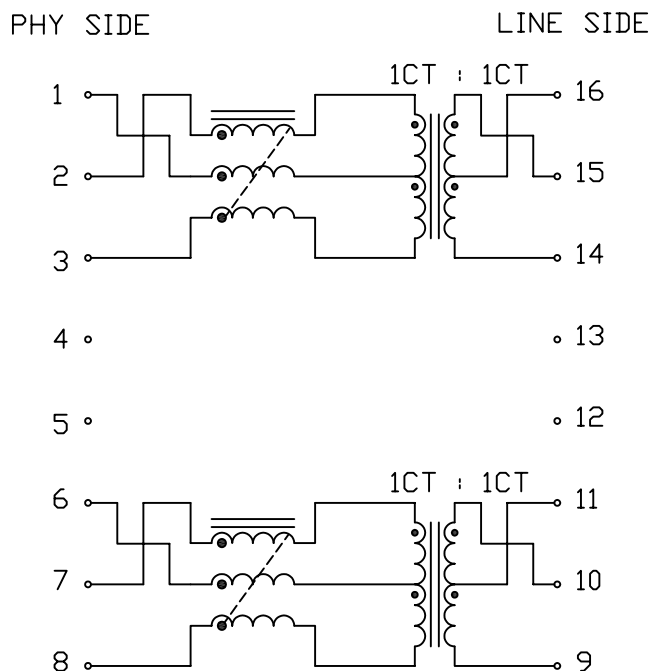
THE INFORMATION CONTAINED HEREIN IS CONSIDERED 'PROPRIETARY' TO BEL FUSE INC. AND SHALL NOT BE COPIED, REPRODUCED OR DISCLOSED WITHOUT THE WRITTEN APPROVAL OF BEL FUSE INC.

PRELIMINARY



ELECTRICAL CHARACTERISTICS @25°C

SCHEMATIC



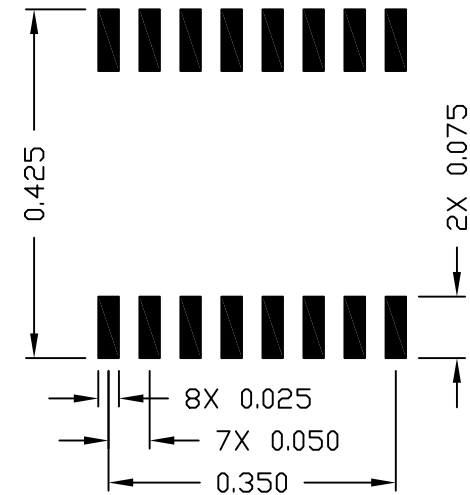
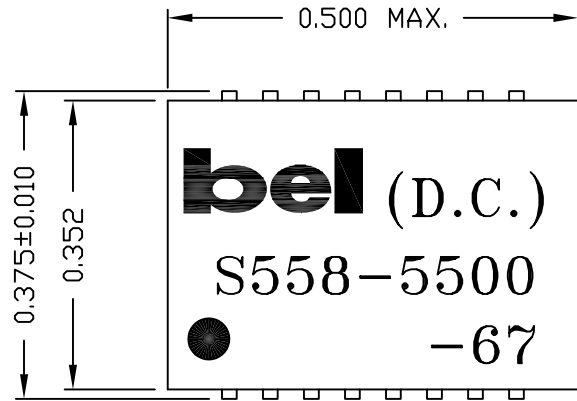
TURNS RATIO (2-1-3) : (15-16-14) (7-6-8) : (10-11-9)	1CT : 1CT ±2% 1CT : 1CT ±2%
□CL -40°C TO +85°C -40°C TO +85°C	@100kHz, 100mV 350uH MIN WITH 11mA DC BIAS 120uH MIN WITH 19mA DC BIAS
INTERWINDING CAPACITANCE, Cw/w	@1MHz, 20mV 30pF MAX
INSERTION LOSS 0.3MHz - 1MHz 1MHz - 65MHz 65MHz - 100MHz 100MHz - 125MHz	1.1dB MAX 0.8dB MAX 1.0dB MAX 1.2dB MAX
RETURN LOSS @100ΩHM 0.5MHz - 40MHz 40MHz - 100MHz	18dB MIN 12-20LOG(f/80MHz)dB MIN
CROSSTALK 0.3MHz - 100MHz	33-20LOG(f/100MHz)dB MIN
CM TO CM REJ 0.3MHz - 100MHz	30dB MIN
CM TO DM REJ 0.3MHz - 100MHz	35dB MIN
BALANCED DC LINE CURRENT	720mA MAX @57VDC CONTINUOUS 1.2A MAX @57VDC FOR 200mS
HIPOT	1500 Vrms

ORIGINATED BY	DATE	TITLE	PART NO. / DRAWING NO.	STANDARD DIM. TOL. IN INCH	[] METRIC DIM. AS REFERENCE
CHAN CH	03-06-09	ELECTRICAL SPECIFICATION	S558-5500-67	.X	UNIT : INCH [mm] REV. : PB
DRAWN BY	DATE		FILE NAME	.XX	SCALE : N/A SIZE : A4
YH Lai	03-06-09		S558550067PB.DWG	.XXX	⊕ ← → PAGE : 2

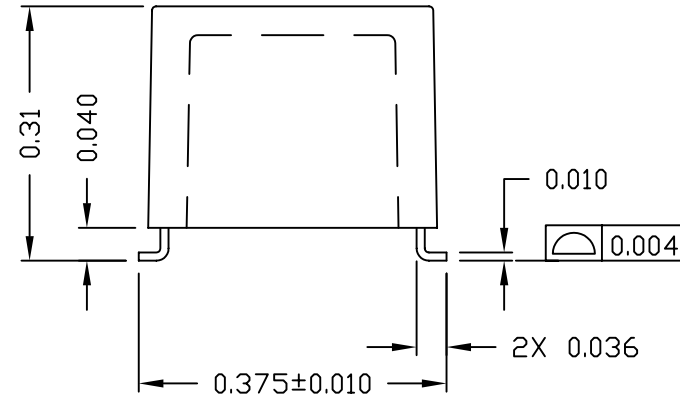
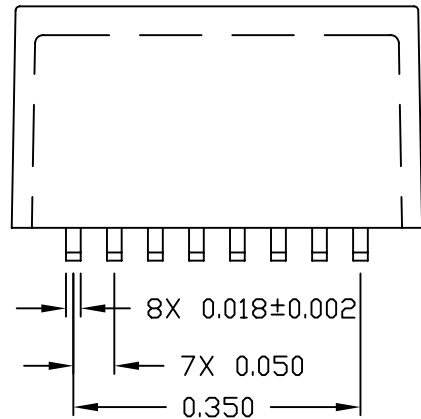


THE INFORMATION CONTAINED HEREIN IS CONSIDERED "PROPRIETARY" TO BEL FUSE INC. AND SHALL NOT BE COPIED, REPRODUCED OR DISCLOSED WITHOUT THE WRITTEN APPROVAL OF BEL FUSE INC.

PRELIMINARY



SUGGESTED PCB PAD LAYOUT



NOTES:

- STANDARD MARKING REFER TO DOC. HAND-WORK-04.
- PACKAGE CODE: "RPS001".

ORIGINATED BY	DATE	TITLE	PART NO. / DRAWING NO.	STANDARD DIM. TOL. IN INCH	[] METRIC DIM. AS REFERENCE
LAWRENCE TSANG	03-06-09	MECHANICAL OUTLINE	S558-5500-67	.X	UNIT : INCH [mm]
DRAWN BY	DATE		FILE NAME	.XX ±0.01	SCALE : N/A
YH Lai	03-06-09		S558550067PB.DWG	.XXX ±0.005	REV. : PB
					SIZE : A4
					PAGE : 3

