



MICRO SWITCH

FREEPORT, ILLINOIS, U.S.A.
A DIVISION OF HONEYWELL

FED. MFG. CODE 91829

SWITCH -- BASIC

CATALOG LISTING

V3-101

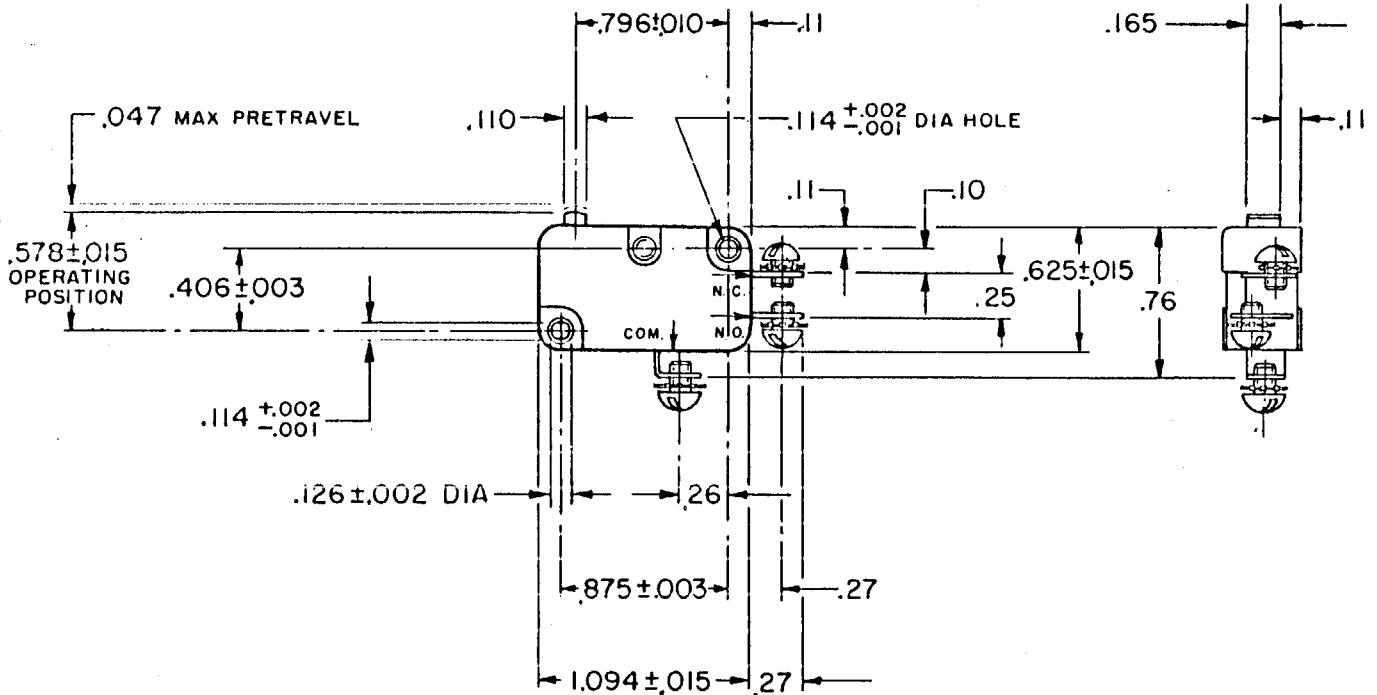
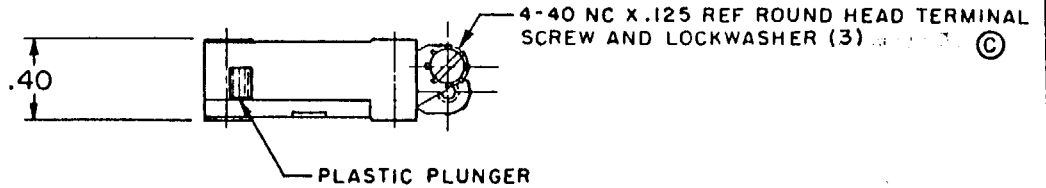
CKB 0100

M V3-101

ISSUE NO. 10
DRAWING NUMBER 17

REPLACES
RELEASE NO.

REVISIONS	CHECK	DATE
A	CO20189	27 MAY 65
B	CO21688	27 MAY 65
C	CO24941	27 MAY 65
D	CO26075	27 MAY 65
E	CO31748	27 MAY 65
F	CO32395	27 MAY 65
G	CO59921	27 MAY 65
H	CO74475	27 MAY 65



THIS DRAWING COVERS A PROPRIETARY ITEM AND IS THE PROPERTY OF MICRO SWITCH, A DIVISION OF HONEYWELL. THIS DRAWING IS NOT TO BE COPIED OR USED WITHOUT THE APPROVAL OF MICRO SWITCH.

CHARACTERISTICS	ELECTRICAL DATA	SCALE FULL
OPERATING FORCE----- 8 OZ MAX	CONTACT ARRANGEMENT S P D T	DO NOT SCALE PRINT
RELEASE FORCE----- 2 OZ MIN	11A-1/3HP-125-250-277 VAC - L156 - 1/2A-125 VDC; 1/4A-250 VDC 4A-125 VAC "L"	UNLESS OTHERWISE NOTED DIMENSIONS ARE IN INCHES TOLERANCES ARE:
DIFFERENTIAL TRAVEL----- .006-.016		ONE PLACE (.0) ±.030 TWO PLACE (.001) ±.015 THREE PLACE (.000) ±.005 ANGLES ±
OVERTRAVEL----- .040 MIN		WEIGHT .017 LB
FREE POSITION----- .625 MAX		
RELEASE TRAVEL----- .007 MIN		