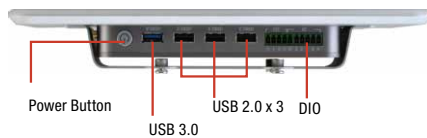


10.1" WXGA Ultra-slim Fanless Multi Touch Panel PC w/ Intel® Atom™ J1900/ N2807 Processor, 2GB RAM



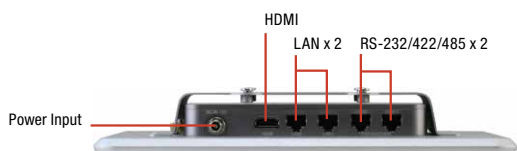
Top I/O Side



Rear Side



Button I/O Side



## Features

- 10.1" WXGA (1280 x 800) Color TFT LCD Display
- Intel® Atom™ J1900/ N2807 Processor
- Aluminum Design
- P-CAP Multi-touch (2-point)
- Fanless Operation
- VESA 75/ Panel Mount/ Stand Support
- IP65 Compliant Front Bezel



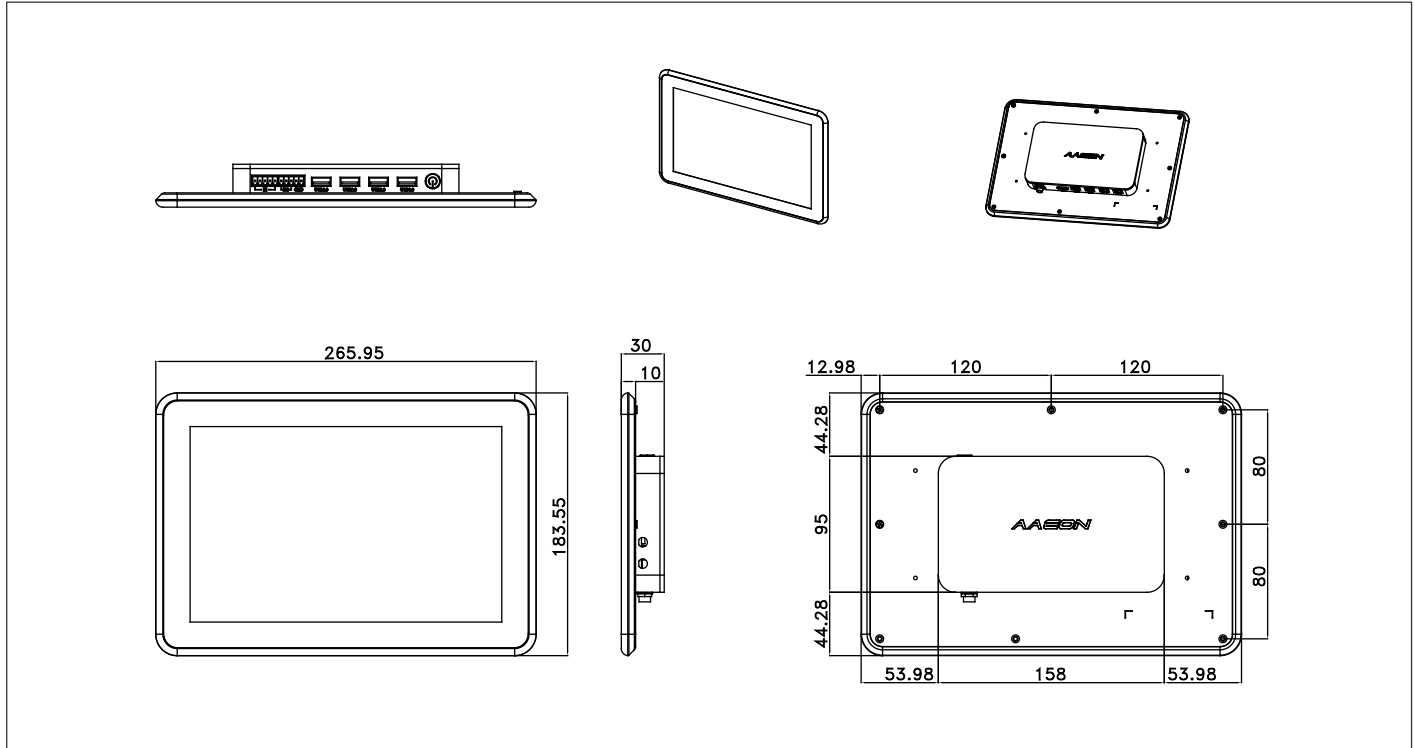
## Specifications

System	
Processor	Intel® Atom™ J1900 processor, 2 GHz Intel® Atom™ N2807 processor, 1.58 GHz
System Memory	204-pin DDR3L 1333MHz SODIMM x 1, default 2 GB, up to 8 GB (J1900) 204-pin DDR3L 1333MHz SODIMM x 1, default 2 GB, up to 4 GB (N2807)
Ethernet	10/100/1000Base-TX, RJ-45 x 2
I/O Port	RS-232/422/485 x 2 ( RJ-45 connector ) USB 2.0 type A x 3 USB 3.0 type A x 1 HDMI x 1 DI/O (4 DI, 2 DO) BIOS selection Power button x 1 Lockable power connector x 1
Storage Disk Drive	Half size mSATA x 1 (Installation by AAEON recommended)
Expansion Slot	Full size Mini-Card x 1
OS support	Window® 7, Window® 8.1, Linux kernel 2.6.3 or above
Mechanical	
Front Panel	Aluminum Design
Mounting	VESA 75/ Panel mount/ Stand
Dimension	10.47" x 7.22" x 1.81" (266 x 183.5 x 30mm)
Carton Dimension	13.58" x 7.87" x 9.65" (345 x 200 x 245mm)
Gross Weight	5.5 lb (2.5 kg)
Environmental	
Operating Temperature	32°F ~ 113°F (0°C ~ 45°C) without airflow 32°F ~ 122°F (0°C ~ 50°C) with airflow
Storage Temperature	-4°F ~ 158°F (-20°C ~ 70°C)
Storage Humidity	5%~90% @40°C, non-condensing
Vibration	1 Grms/ 5~ 500Hz/ operation – with HDD
Shock	15 G peak acceleration (11 msec. duration) – with HDD
EMC	CE/FCC class A
Power Supply	
DC Input	DC 12V with lockable power adapter
LCD	
Display Type	10.1" TFT-LCD, LED
Max. Resolution	1280 x 800
Max. Colors	262k
Luminance	250 cd/m <sup>2</sup>
Viewing Angle	160°(H), 160°(V)
Back Light	LED
Touchscreen	
Type	Projected capacitive multi-touch (2-point)

# ACP-1104

## Dimension

Unit: mm



## Ordering Information

Part Number	Display Type	Max. Resolution	Luminance	View Angle	Backlight MTBF	CPU	LAN	USB	RS-232	RS-232/422/485	Storage	RAM	Display	Expansion	Mounting	Power	Temp.	Touch
ACP-1104HTT-A1-1010	10.1" TFT-LCD	1280 x 800	250 cd/m <sup>2</sup>	160(H), 160V	20,000	Intel® Atom™ J1900, 2.0 GHz	2	USB 3.0 x 1, USB 2.0 x 3	1	2	Half size mSATA HDD	2GB	HDMI x 1	—	VESA 75/Stand	DC 12V	32°F ~ 113°F (0°C ~ 45°C) (mSATA, w/o airflow) 32°F ~ 122°F (0°C ~ 50°C) (mSATA, w/ airflow)	Projected capacitive touch (2-point)
ACP-1104HTT-B1-1010	10.1" TFT-LCD	1280 x 800	250 cd/m <sup>2</sup>	160(H), 160V	20,000	Intel® Atom™ J1900, 2.0 GHz	2	USB 3.0 x 1, USB 2.0 x 3	1	2	Half size mSATA HDD	2GB	HDMI x 1	WiFi	VESA 75/Stand	DC 12V	32°F ~ 113°F (0°C ~ 45°C) (mSATA, w/o airflow) 32°F ~ 122°F (0°C ~ 50°C) (mSATA, w/ airflow)	Projected capacitive touch (2-point)
ACP-1104HTT-A3-1010	10.1" TFT-LCD	1280 x 800	250 cd/m <sup>2</sup>	160(H), 160V	20,000	Intel® Atom™ N2807, 1.58 GHz	2	USB 3.0 x 1, USB 2.0 x 3	1	2	Half size mSATA HDD	2GB	HDMI x 1	—	VESA 75/Stand	DC 12V	32°F ~ 113°F (0°C ~ 45°C) (mSATA, w/o airflow) 32°F ~ 122°F (0°C ~ 50°C) (mSATA, w/ airflow)	Projected capacitive touch (2-point)
ACP-1104HTT-B3-1010	10.1" TFT-LCD	1280 x 800	250 cd/m <sup>2</sup>	160(H), 160V	20,000	Intel® Atom™ N2807, 1.58 GHz	2	USB 3.0 x 1, USB 2.0 x 3	1	2	Half size mSATA HDD	2GB	HDMI x 1	WiFi	VESA 75/Stand	DC 12V	32°F ~ 113°F (0°C ~ 45°C) (mSATA, w/o airflow) 32°F ~ 122°F (0°C ~ 50°C) (mSATA, w/ airflow)	Projected capacitive touch (2-point)

## Packing List

- **1255300607**  
Power Adapter, DC12V, 60W
- **1700090156 x 2**  
RJ-45 to COM Cable
- **VESA Mount Kit**
- **9741107300**  
Panel Mount Kit
- **VESA Screws**
- **Product DVD**
- **ACP-1104**

## Optional Accessories

- **1702031802**  
Power Cord (US Type)
- **1702031803**  
Power Cord (European Type)
- **170203180E**  
Power Cord (Japanese Type)
- **M041073020**  
Stand Kit

## Half Size mSATA Storage Device:

- **968C008G0G**  
(TF)Half-sized, 8 GB, mSATA SSD, MLC, -40°C ~ +85°C
  - **968C016G3G**  
(TF)Half-sized, 16 GB, mSATA SSD, MLC, -40°C ~ +85°C
  - **968C016G1U**  
(TF)Half-sized, 16 GB, mSATA SSD, MLC, -40°C ~ +85°C
  - **968C032G37**  
(TF)Half-sized, 32 GB, mSATA SSD, MLC, -40°C ~ +85°C
  - **968C032G0L**  
(TF)Half-sized, 32 GB, mSATA SSD, MLC, -40°C ~ +85°C
  - **968C064G1E**  
(TF)Half-sized, 64 GB, mSATA SSD, MLC, -40°C ~ +85°C
  - **968C128G1H**  
(TF)Half-sized, 128 GB, mSATA SSD, MLC, -40°C ~ +85°C
- Note : AAEON factory-installed mSATA HDD is strongly recommended.**