

**PLEASE CHECK WWW.MOLEX.COM FOR LATEST PART INFORMATION**

**Part Number:** [0505417025](#)  
**Status:** **Active**  
**Description:** Ring Tongue Terminal for 1/0 AWG, Closed Uninsulated Brazed Barrel, Stud Size 1/4" (M6), Oxygen-Free Copper, Length 49.70mm (1.957")

**Documents:**

[Drawing \(PDF\)](#) [RoHS Certificate of Compliance \(PDF\)](#)  
[Product Specification PS-50541-002 \(PDF\)](#)

**General**

Product Family	Ring and Spade Terminals
Series	<a href="#">50541</a>
Crimp Quality Equipment	Yes
Mil-Spec	N/A
Product Name	R (Ring)
Type	Ring

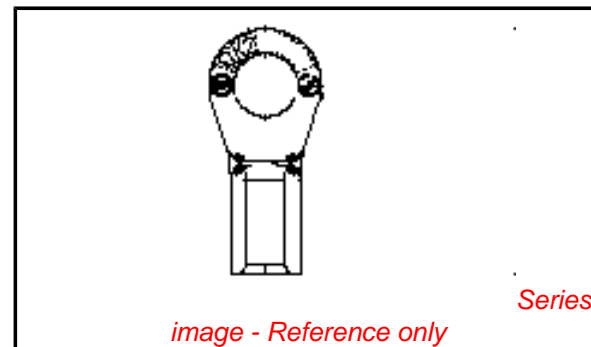
**Physical**

Barrel Type	Closed - Brazed
Insulation	None
Material - Plating Mating	Tin
Packaging Type	Bag
Stud Size	1/4" (M6)
Wire Size AWG	1
Wire Size mm <sup>2</sup>	42.42 - 60.57

**Material Info**

**Reference - Drawing Numbers**

Product Specification	PS-50541-002
Sales Drawing	SD-50541-001



**EU RoHS**

**ELV and RoHS  
Compliant**

**REACH SVHC**

Not Reviewed

**Halogen-Free**

Status

**Not Reviewed**

**Need more information on product  
environmental compliance?**

Email [productcompliance@molex.com](mailto:productcompliance@molex.com)  
 For a multiple part number RoHS Certificate of Compliance, [click here](#)

Please visit the [Contact Us](#) section for any non-product compliance questions.

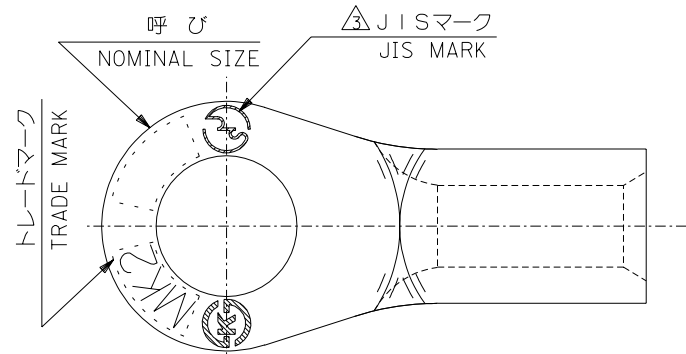
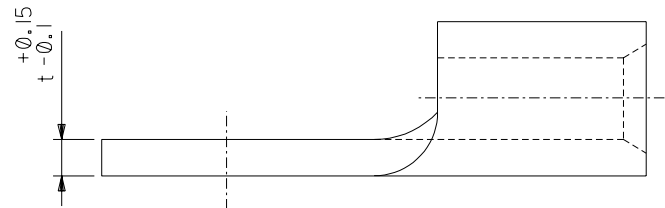
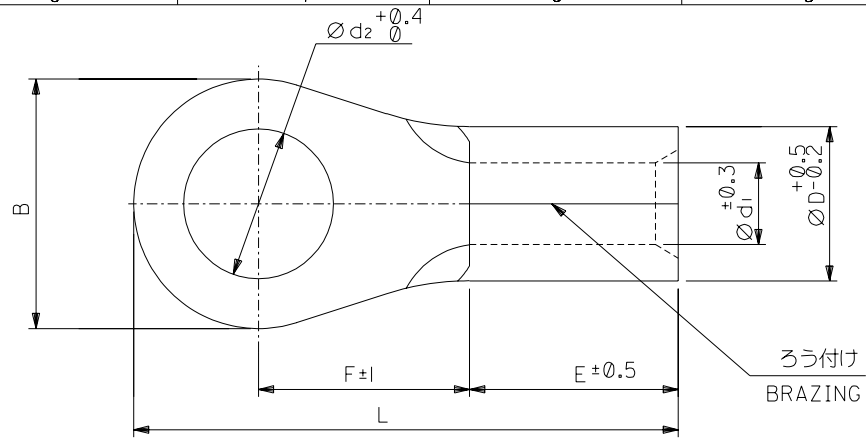
**China RoHS**



**Search Parts in this Series**  
[50541Series](#)

DO NOT SCALE DRAWING

DWG. NO. SD-50541-001



**注記 NOTES**

- 材質 MATERIAL  
 端子: 無酸素銅、スズメッキ  
 TERMINAL: OXYGEN FREE COPPER, TIN PLATING  
 ろう付け部: りん銅ろう  
 PART OF BRAZING: COPPER PHOSPHORUS BRAZING FILLER METALS
- 適用電線 APPLICABLE WIRE RANGE

単線 SOLID WIRE	撚線 STRANDED WIRE
7.34-8.26 mm	42.42-60.57 mm <sup>2</sup>

△ JIS認定品にのみ刻印。  
 DIE STAMPED MARK IS ALLOWED ONLY FOR JIS FILED PRODUCTS.

		25						32±0.6		24	50541-7925
		21								20	50541-7825
		19	+0.5	23.5						18	-7725
		17	-1.2					32±0.5		16	-7625
		15	57.5							14	-7525
JIS	2	13			18	11.4	15.5	32±0.3	60	12	-7425
JIS		11.5	+0.3							11	-7325
		10.5	-1.2	20.7				22±0.3		10	-7225
JIS		8.4								8	-7125
JIS		6.4								6	-7025
											50541-7025
△	t	d2	L	F	E	d1	D	B	呼び NOMINAL SIZE		MATERIAL NO.

64 NO. DRWN: CH'K: APPR:	63 NO. DRWN: CH'K: APPR:	62 NO. DRWN: CH'K: APPR:	61 NO. DRWN: CH'K: APPR:	RELEASED 60 NO. J2003-1905 DRWN: T.KAIHO 03/01/17 CH'K: T.ITO APPR: T.O.YAMAGUCHI	MATERIAL 材料 注記参照 SEE NOTES	FINISH 仕上げ 注記参照 SEE NOTES	WIRE RANGE 適用電線範囲 —	INS. RANGE 被覆外径 —	GENERAL TOLERANCES: (UNLESS SPECIFIED) 一般公差 10 UNDER 未満 ±0.2 10 OVER 以上 30 UNDER 未満 ±0.25 30 OVER 以上 ±0.3 ANGLE 角度 ±3°	SCALE 1:1 DESIGN UNITS <input checked="" type="checkbox"/> mm <input type="checkbox"/> INCH DRAWN BY & DATE T.KAIHO 03/01/17 CHECKED BY & DATE T.ITO 03/01/17 APPROVED BY & DATE T.YAMAGUCHI 03/01/17 CAD FILENAME SD50541001.S01	MODEL NO. 50541-7*25 DIMENSIONS: <input type="checkbox"/> mm <input type="checkbox"/> INCH <input checked="" type="checkbox"/> mm ONLY SHT REV 22 FIRST ANGLE PROJECTION RING TERMINAL(銅線用裸圧着端子) MOLEX MOLEX INCORPORATED MATERIAL NO. SEE CHART DRAWING NO. SD-50541-001 SHEET NO. 1 OF 1	EN-02J(097) MXJ-54
--------------------------------	--------------------------------	--------------------------------	--------------------------------	---	----------------------------------	---------------------------------	------------------------	----------------------	--	--	--	--------------------

A SD5054100.S01