



12 Series Double Contact Bayonet Base Non-Grounded Lampholders



The 12 Series lampholders are constructed with a zinc plated steel shell, with two brass contacts mounted on a phenolic-insulating disc.

Overview

The 12 Series lampholders are constructed with a zinc plated steel shell, with two brass contacts mounted on a phenolic-insulating disc and two 6" wire leads. The bracket and shell are grounded independent of the contacts. Lampholders are designed for use with double contact candelabra bayonet lamps.

Specifications

Shell: zinc plated steel.

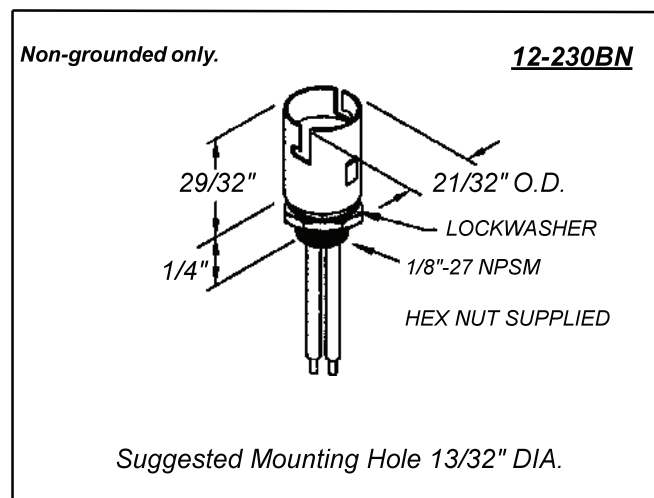
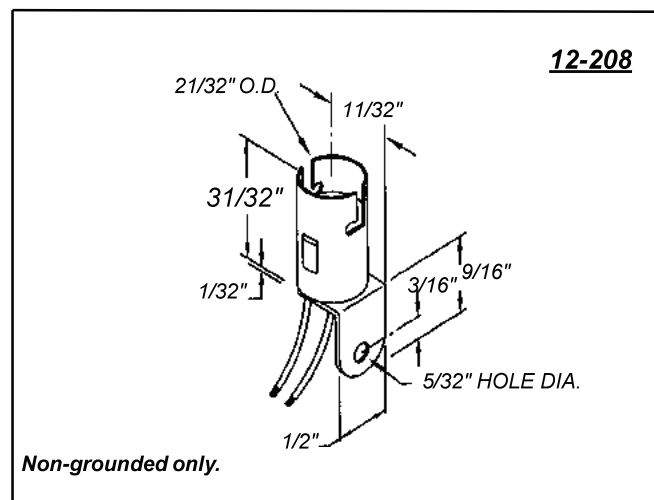
Center contacts: nickel plated brass supplied with phenolic insulating disc. A custom ceramic insulating disc is also available.

Spring: zinc plated steel. A custom stainless steel spring is also available.

Wire leads: 6" Leads: #18 AWG, black, bare copper, PVC insulated, UL/CSA rated 105° C, stripped 1/2". Non-grounded units are supplied with two 6" wire leads. Custom wire lengths, stripping, termination and wire types are also available.

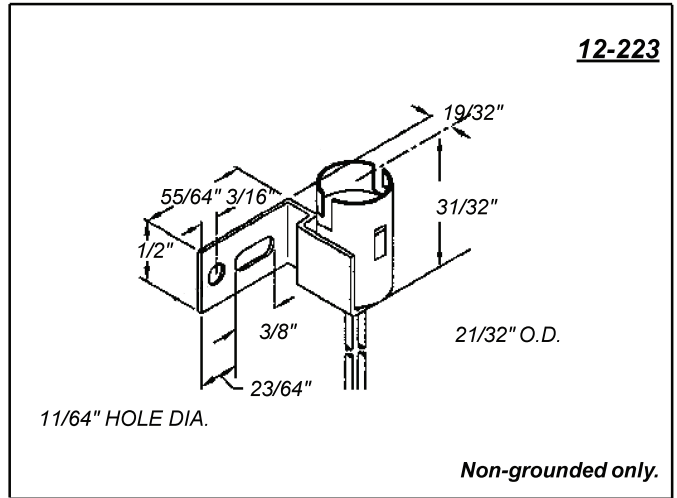
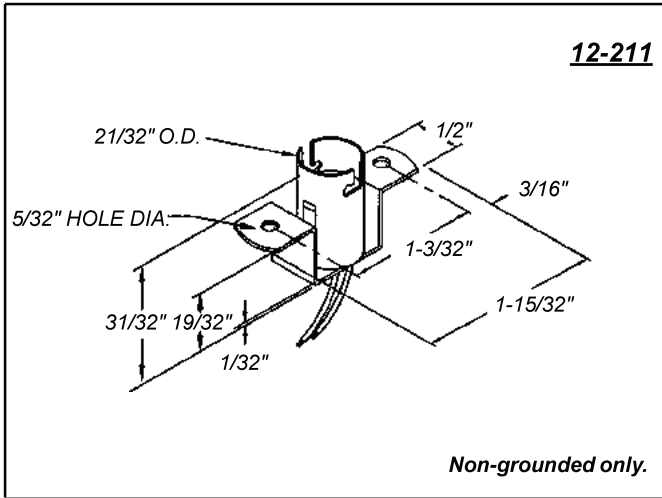
Mounting: Brackets: 0.025" to 0.032" zinc plated steel. Custom brackets and plating types are available. **Plug buttons:** zinc plated steel for 15/16" mounting holes. **Threaded bushing:** for 13/32" mounting hole. Supplied with lockwasher and hex nut.

Maximum rating: 75 Watts, 125 Volts.



Ordering Data

Maximum Rating: 75 Watts, 125 Volts

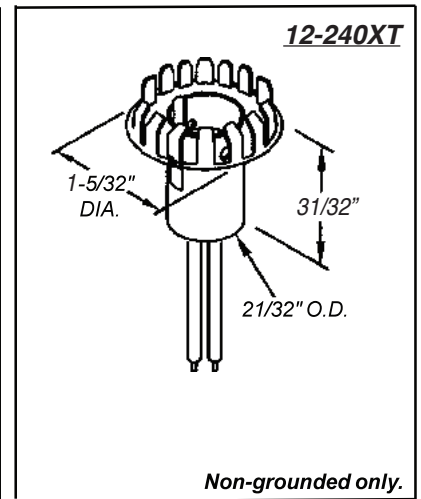
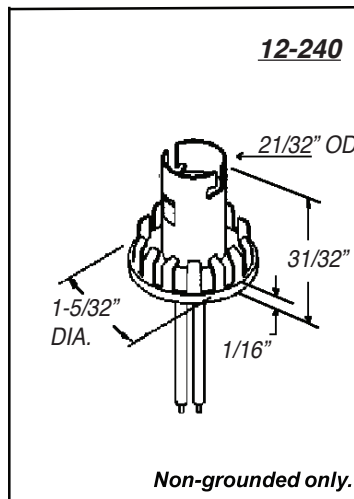
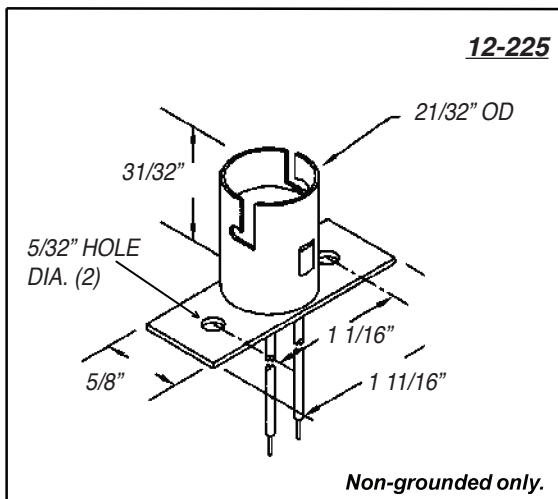


12-218
12-282
Non-grounded only.

Mounting Hole Diagram

Bracket No.	"A" Dimension
-18	1-13/32"
-82	15/16"

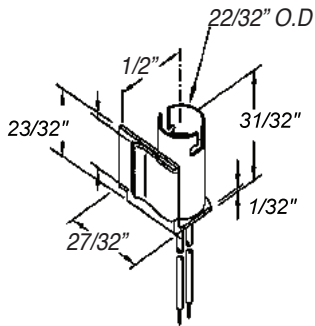
Maximum Panel Thickness .045"



Plug buttons: zinc-plated steel, for 15/16" hole with panel thickness range 1/32" to 5/64"

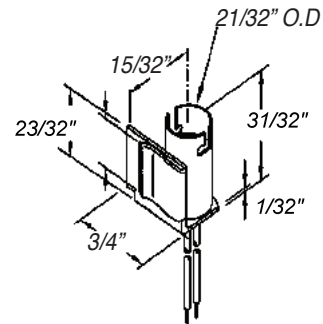
Product Dimensions

12-265



Non-grounded only.

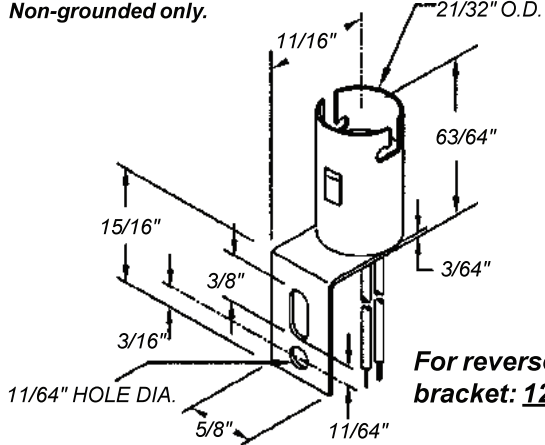
12-255



Non-grounded only.

Non-grounded only.

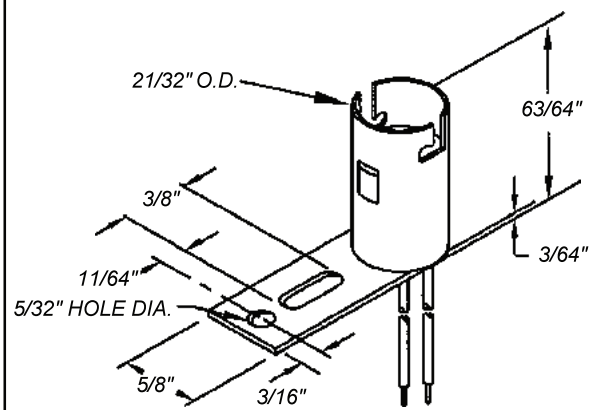
12-272



*For reversed
bracket: **12-271.***

Non-grounded only.

12-275



Compliance & Approvals

