

# KR Electronics

## General Description

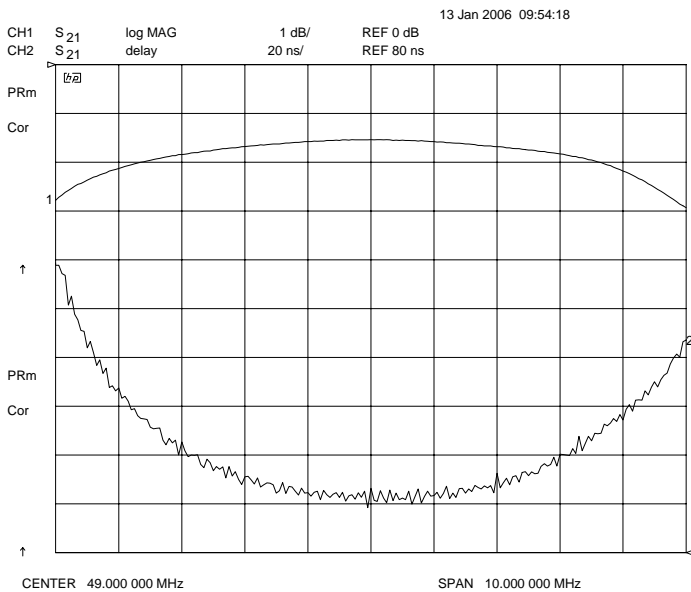
KR 2643 is a 49 MHz bandpass filters with a minimum 3 dB bandwidth of 10 MHz. Other passband frequencies are available. Also available in a surface mount package. Please consult the factory.

### Features

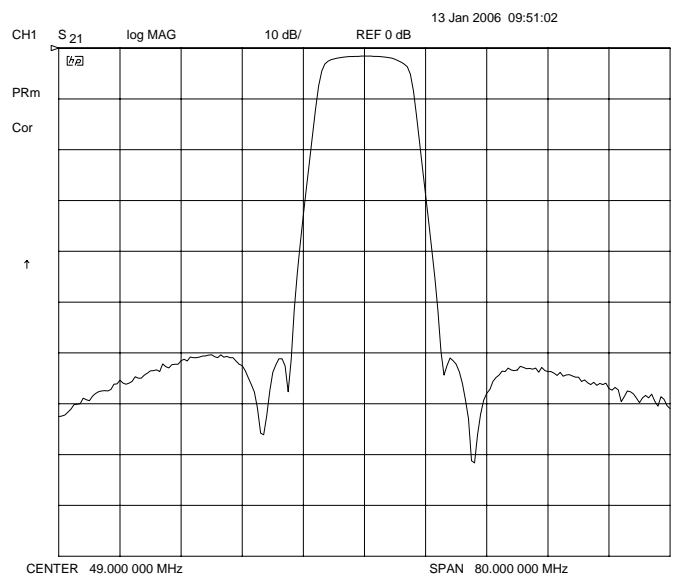
- 49 MHz Bandpass
- 10 MHz Bandwidth
- High Stopband Attenuation
- 50  $\Omega$  Source and Load
- Surface Mount Package

## Typical Performance

**Passband Amplitude & Group Delay**  
(1 dB/div and 20 nsec/div)



**Overall Response**  
(10 dB/div)



KR Electronics, Inc.  
91 Avenel Street  
Avenel, NJ 07001

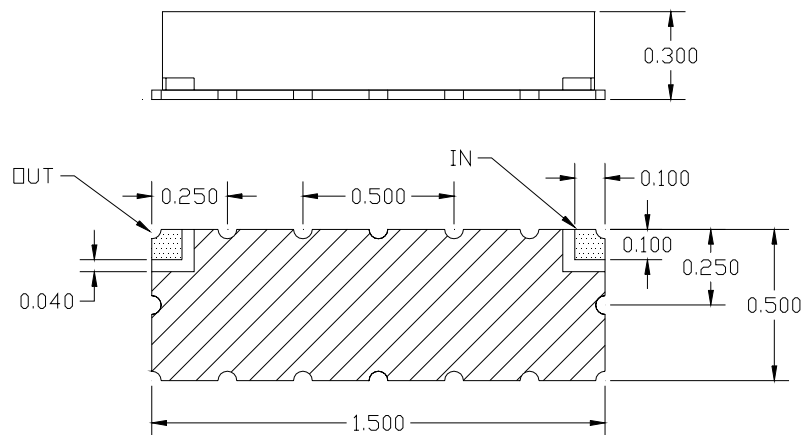
Web www.krfilters.com  
Email sales@krfilters.com  
Phone (732) 636-1900  
Fax (732) 636-1982

# KR 2643 Bandpass

## Specifications

Parameter	Specification
Filter type	Bandpass
Center Frequency	49 MHz
Insertion Loss	< 3 dB (< 1.5 dB Typical)
3 dB Bandwidth	> 10 MHz
Attenuation at 39 MHz	> 50 dB
Attenuation at 59 MHz	> 50 dB
Source & Load	50 Ω

## Physical Dimensions



### Notes:

1. Surface mount package — Metal cover (can also be supplied in a package with SMA Connectors)
2. Dimensions in inches
3. Use SN60 or SN63 solder during installation. Maximum reflow temperature is 209° C for 15 sec maximum.
4. If boards are cleaned after installation, units must be completely dried to remove any entrapped moisture.