

FS1 - S02 - 1XXX

MOUNTING SCREW OPTION

- 1 = 8 mm MOUNTING SCREW SHIPPED BULK IN SAME TRAYS WITH CAGE ASSEMBLIES
- 2 = NO MOUNTING SCREW SUPPLIED
- 3 = 10 mm MOUNTING SCREW WITH LOCK WASHER SHIPPED BULK IN SAME TRAYS WITH CAGE ASSEMBLIES

GASKET OPTION

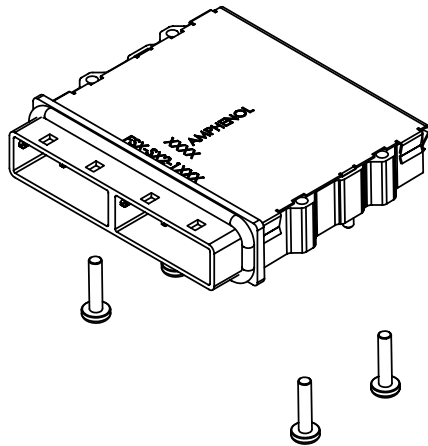
- E = STAINLESS STEEL EMI GASKET
- F = FOAM, CHOMERICS SOFT SHIELD 4800, EMI GASKET
- C = CONDUCTIVE ELASTOMER, CHOMERICS C6305

KEYING OPTION (SEE BELOW TABLE FOR FURTHER CLARIFICATION)

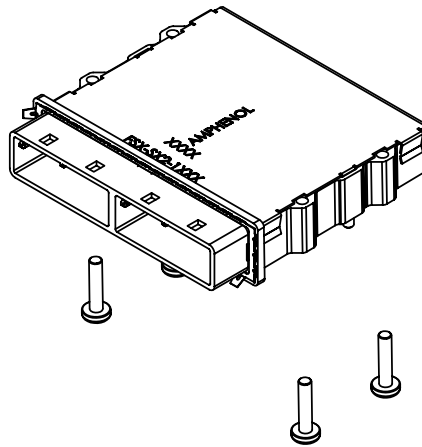
- 0 = NO KEY
- 1 = KEY #1 (IN ALL PORTS)
- 2 = KEY #2 (IN ALL PORTS)
- 4 = KEY #4 (IN ALL PORTS)
- 6 = KEY #6 (IN ALL PORTS)
- 7 = KEY #7 (IN ALL PORTS)
- D22 = KEY #2 AND #4 (IN ALL PORTS)
- D66 = KEY #4 AND #6 (IN ALL PORTS)
- D26 = KEY #2 AND #4 IN LEFT PORT / KEY #4 AND #6 IN RIGHT PORT
- D62 = KEY #4 AND #6 IN LEFT PORT / KEY #2 AND #4 IN RIGHT PORT

Left Key Option	Right Key Option	Part Number	Description
0	0	FS1-S02-10XX	No Key
1	1	FS1-S02-11XX	SATA 'X' Cable
4	4	FS1-S02-14XX	SAS Universal Port
7	7	FS1-S02-17XX	SATA 'M' Cable
2,4	2,4	FS1-S02-1D22XX	SAS Out Port
4,6	4,6	FS1-S02-1D66XX	SAS In Port
2,4	4,6	FS1-S02-1D26XX	SAS Out/In Port
4,6	2,4	FS1-S02-1D62XX	SAS In/Out Port

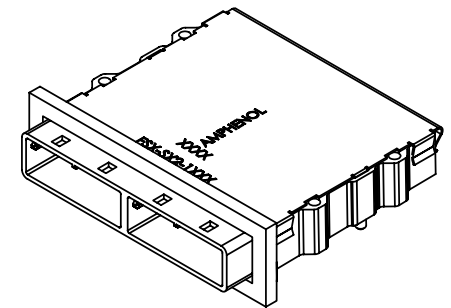
REVISIONS				
REV	ECN	DESCRIPTION	DATE	APPROVED
5		ELASTOMERIC GASKET OPTION ADDED	SEP 15/09	ZLJ
1		DETAIL K ADDED	JAN 14/10	ZLJ



PART NUMBER: **FS1-S02-14C1** SHOWN
(CAGE ASSEMBLY WITH ELASTOMERIC GASKET AND 8mm MOUNTING SCREWS SHIPPED BULK)



PART NUMBER: **FS1-S02-14E1** SHOWN
(CAGE ASSEMBLY WITH STAINLESS STEEL GASKET AND 8mm MOUNTING SCREWS SHIPPED BULK)



PART NUMBER: **FS1-S02-14F1** SHOWN
(CAGE ASSEMBLY WITH FOAM GASKET AND 8mm MOUNTING SCREWS SHIPPED BULK)

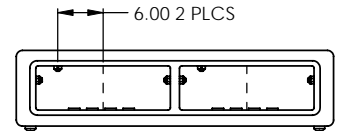
DO NOT SCALE DRAWING



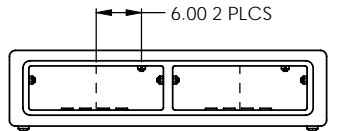
THIS DOCUMENT CONTAINS PROPRIETARY INFORMATION AND SUCH INFORMATION MAY NOT BE DISCLOSED TO OTHERS FOR ANY PURPOSE OR USED FOR MANUFACTURING PURPOSES WITHOUT PERMISSION FROM AMPHENOL CANADA CORP.

UNLESS OTHERWISE SPECIFIED DIMENSIONS ARE IN MILLIMETERS TOLERANCES ARE:		APPROVALS		DATE		Amphenol Canada Corp.	
EXAMPLES:	ANGLES	DRAWN	ZLJ	NOV 7/08	TITLE		
X ± 0.25	± 2°	DESIGNED	ZLJ	NOV 7/08	MINI SAS 1 DEGREE 2 PORT CAGE		
XX ± 0.10		CHECKED					
XXX ± 0.05		CAL APP'D					
MATERIAL AND FINISH							
ENG. REL. NO.	EAR 123XX	E. APP'D			SCALE	PROJECT	SFF
CODE IDENT. NO.	03554	DWG. APP'D			NTS	1	SHEET 1 OF 2

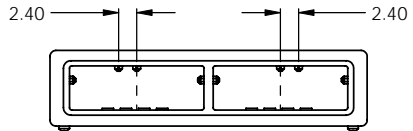
REVISIONS				
REV	ECN	DESCRIPTION	DATE	APPROVED
5		SEE SHEET 1	SEP 19/08	ZLJ
T		SEE SHEET 1	JAN 14/10	ZLJ



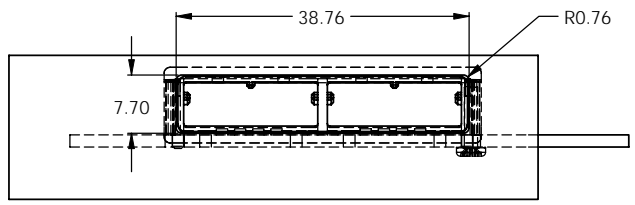
KEY #1-1



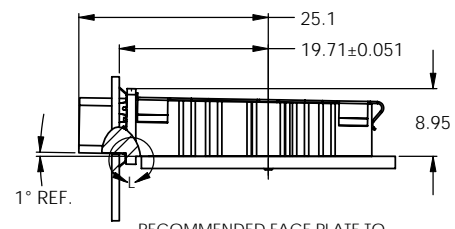
KEY #7-7



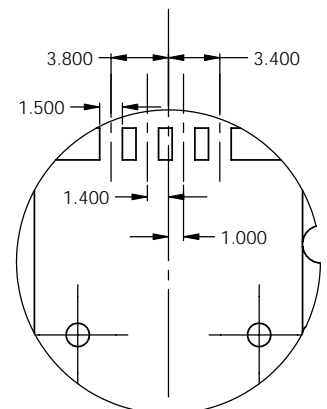
KEY #2, 4 - 4, 6



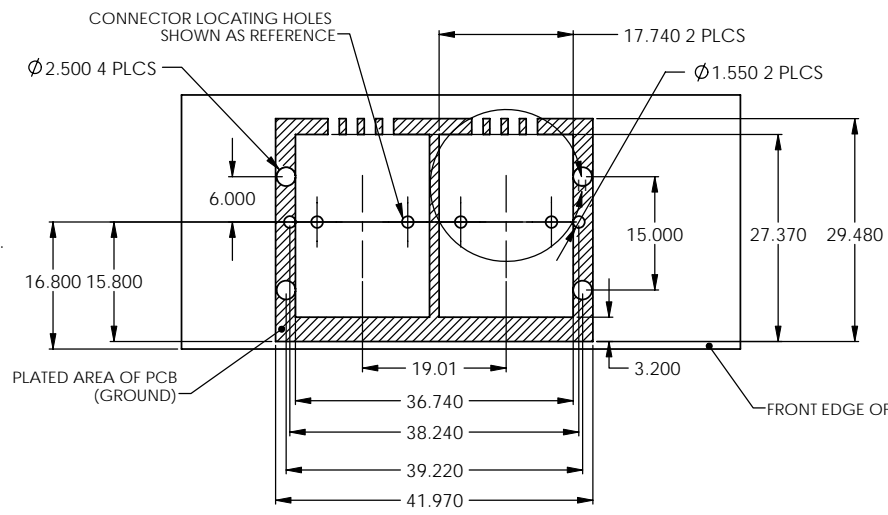
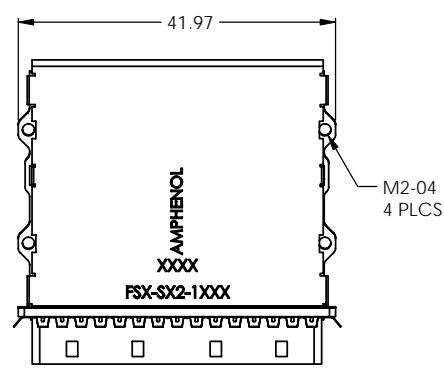
RECOMMENDED PANEL CUT-OUT



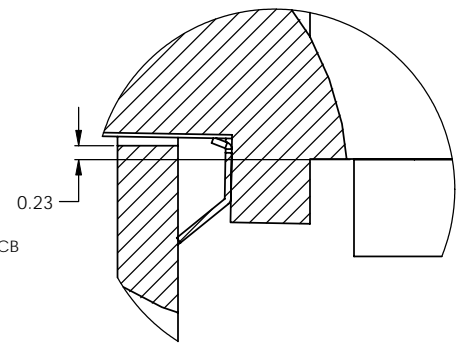
RECOMMENDED FACE PLATE TO LOCATING POST DISTANCE



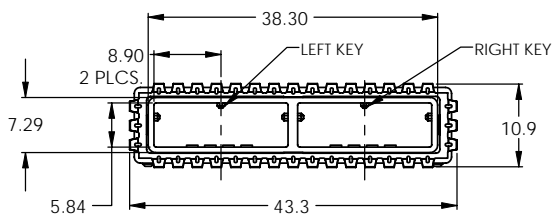
DETAIL H
SCALE 4 : 1



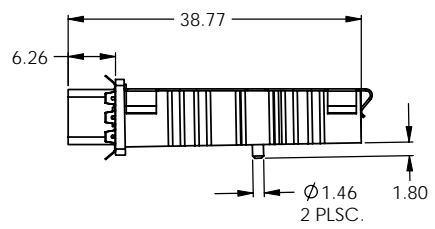
RECOMMENDED PCB LAYOUT



DETAIL L
SCALE 16 : 1



KEY #4-4



NOTES:

1) MATERIAL:

CAGE: ZINC DIECAST SHELL WITH 150 MICROINCHES OF NICKEL PLATING
EMC GASKET: SEE SHEET 1
COVER: STAINLESS STEEL
MOUNTING SCREW: AISI 1010 STEEL

2) ROHS COMPLIANT



APPROVALS		DATE	Amphenol Canada Corp.				
DRAWN	ZLJ	SEP 19/08	MINI SAS 1 DEGREE 2 PORT CAGE				
DESIGNED	ZLJ	SEP 19/08					
CHECKED							
DATE APP'D							
ENGR. REL. NO.	EAR 123XX	SCALE	NTS	PROJECT	P-FS1-S02-1XXX	REV	T
CODE IDENT. NO.	03554	ENGR. APP'D		SHEET	2 OF 2		

THIS DOCUMENT CONTAINS PROPRIETARY INFORMATION AND SUCH INFORMATION MAY NOT BE DISCLOSED TO OTHERS FOR ANY PURPOSE OR USED FOR MANUFACTURING PURPOSES WITHOUT PERMISSION FROM AMPHENOL CANADA CORP.

DO NOT SCALE DRAWING