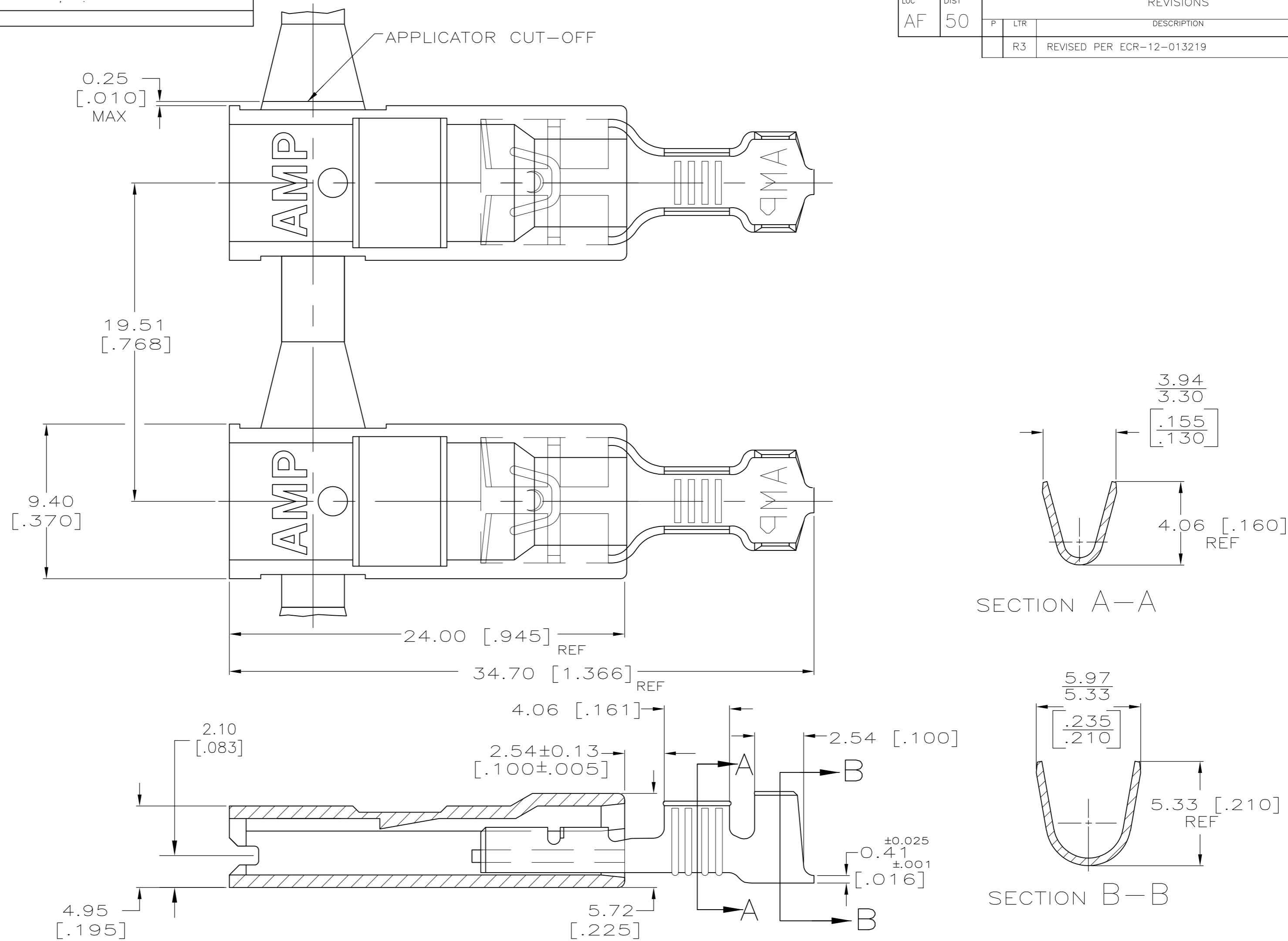


THIS DRAWING IS UNPUBLISHED. RELEASED FOR PUBLICATION
 © COPYRIGHT - By - ALL RIGHTS RESERVED.

LOC		DIST		REVISIONS			
P	LTR	DESCRIPTION	DATE	DWN	APVD		
AF	50	R3	REVISED PER ECR-12-013219	08JAN13	KH	KR	



- 1 LOW-INSERTION FASTON TERMINALS, BASE P/N 63306, ARE USED IN THIS PRODUCT.
- 2 TIN PLATE PER .002032 [.000080] MIN PER MIL-T-10727.
- 3 MATERIAL: HOUSING - 6/6 NYLON
TERMINAL - BRASS
- 4 FINISH: HOUSING - COLOR, NATURAL
TERMINAL - SEE TABLE

OBSELETE	BULK	TIN PLATE	2.79-4.32	0.8-2.0 mm ² [18-14]	0.813 [.032]	-5-520963-2
	BULK	PLAIN	[.110-.170] DIA			5-520963-1
	STANDARD	TIN PLATE				520963-2
	STANDARD	PLAIN				520963-1
	PACKAGING	TERMINAL FINISH	INSULATION RANGE	WIRE SIZE	MATING TAB THK ±0.025 [±.001]	PART NO.
THIS DRAWING IS A CONTROLLED DOCUMENT.			DWN JR RUTH 6/27/89		 TE Connectivity ASSEMBLY, ULTRA-POD, RECEPTACLE, 6.35 [.250] SERIES	
DIMENSIONS: INCHES			CHK MS FEHER 6/27/89			
TOLERANCES UNLESS OTHERWISE SPECIFIED:			APVD R KUZO 6/27/89			
0 PLC ± - 1 PLC ± - 2 PLC ± - 3 PLC ± 0.25 [.010] 4 PLC ± - ANGLES ± - FINISH			PRODUCT SPEC 108-1285 APPLICATION SPEC 114-2124 WEIGHT - CUSTOMER DRAWING			
MATERIAL 3			FINISH 4		SIZE A2	CAGE CODE 00779
					DRAWING NO C=520963	RESTRICTED TO -
					SCALE 5:1	SHEET 1 of 1
					REV R3	

Mouser Electronics

Authorized Distributor

Click to View Pricing, Inventory, Delivery & Lifecycle Information:

[TE Connectivity:](#)

[520963-2](#)