

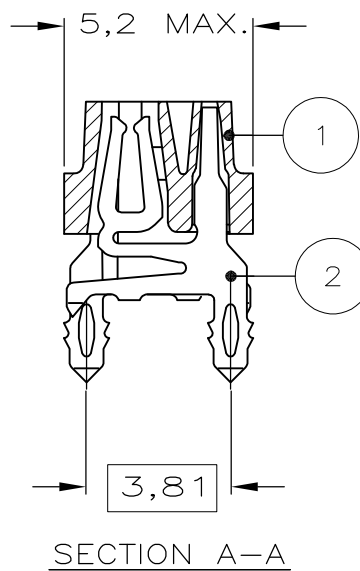
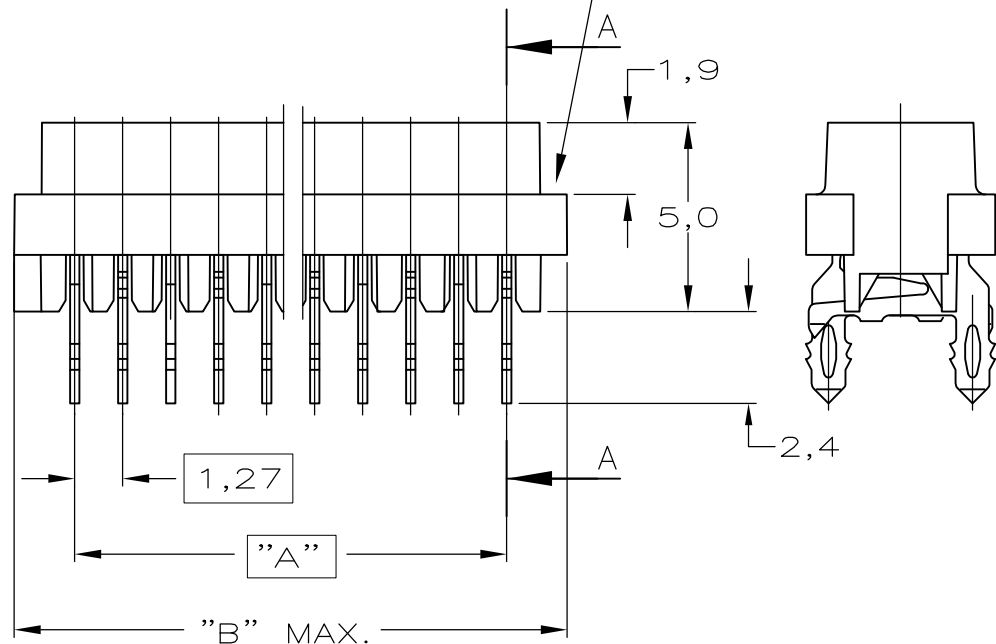
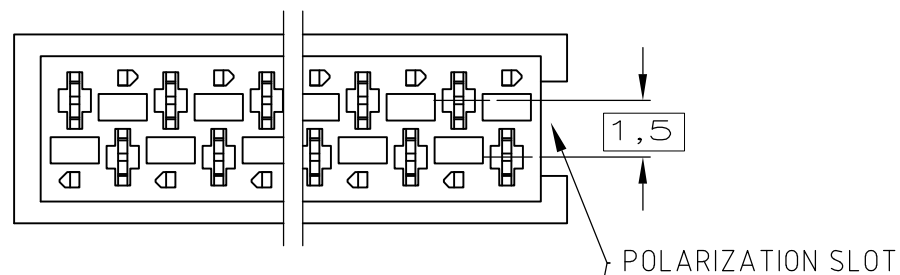
THIS DRAWING IS UNPUBLISHED.

RELEASED FOR PUBLICATION

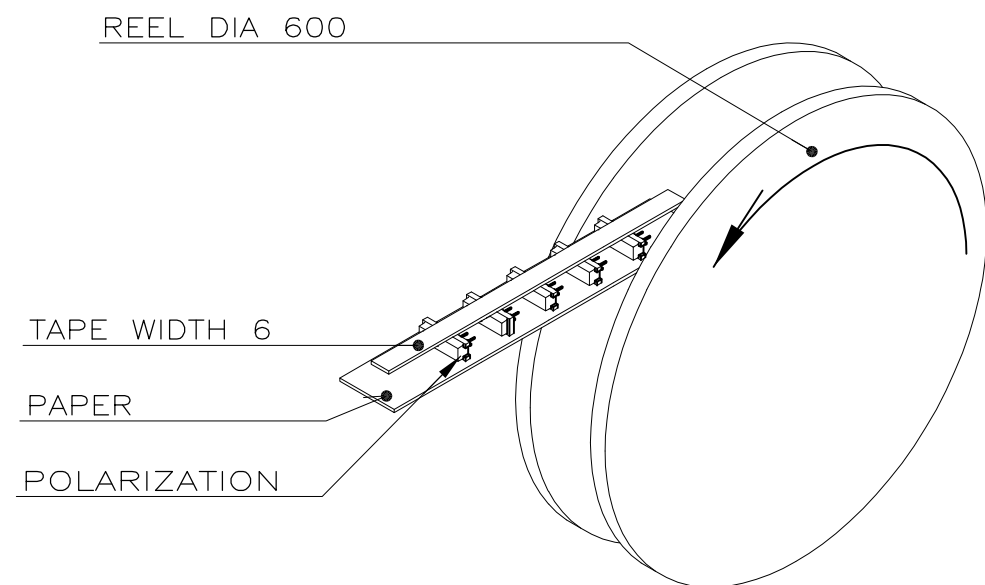
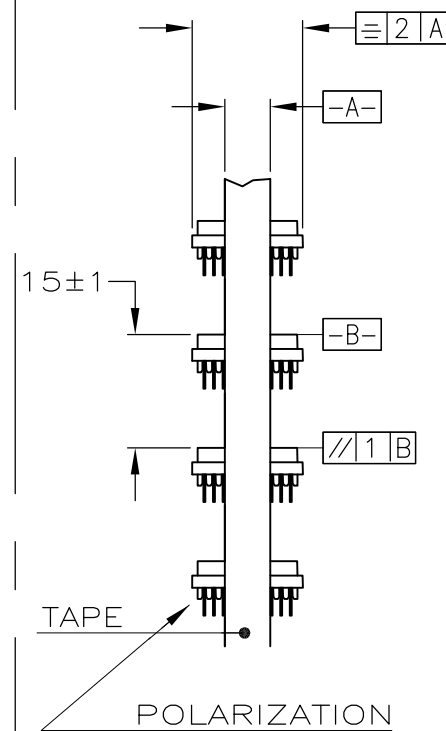
© COPYRIGHT - By -

ALL RIGHTS RESERVED.

LOC	DIST	REVISIONS					
		P	LTR	DESCRIPTION	DATE	DWN	APVD
-	-		F3	ADDED NOTE INDICATING POLARIZATION SLOT	06NOV2012	SP	RP



	PARTNUMBER REEL PACKAGING	NUMBER OF POSITIONS	"A"	"B" MAX.
OBSOLETE	-0-100411-4-	4	3,81	7,1
OBSOLETE	-0-100411-6-	6	6,35	9,7
	0-100411-8	8	8,89	12,2
OBSOLETE	-1-100411-0-	10	11,43	14,7
OBSOLETE	-1-100411-2-	12	13,97	17,3
OBSOLETE	-1-100411-4-	14	16,51	19,8
OBSOLETE	-1-100411-6-	16	19,05	22,4
OBSOLETE	-1-100411-8-	18	21,59	24,9
	2-100411-0	20	24,13	27,4



DEREELING DIRECTION AND POSITION OF CONNECTORS
2500 CONNECTORS PER REEL FOR ALL PARTNUMBERS

3	FEMALE CONTACT	PHOSPHOREBRONZE	2
	HOUSING	GLASS FILLED POLYESTER (RED)	1
	DESCRIPTION	MATERIAL	ITEM

NOTES:

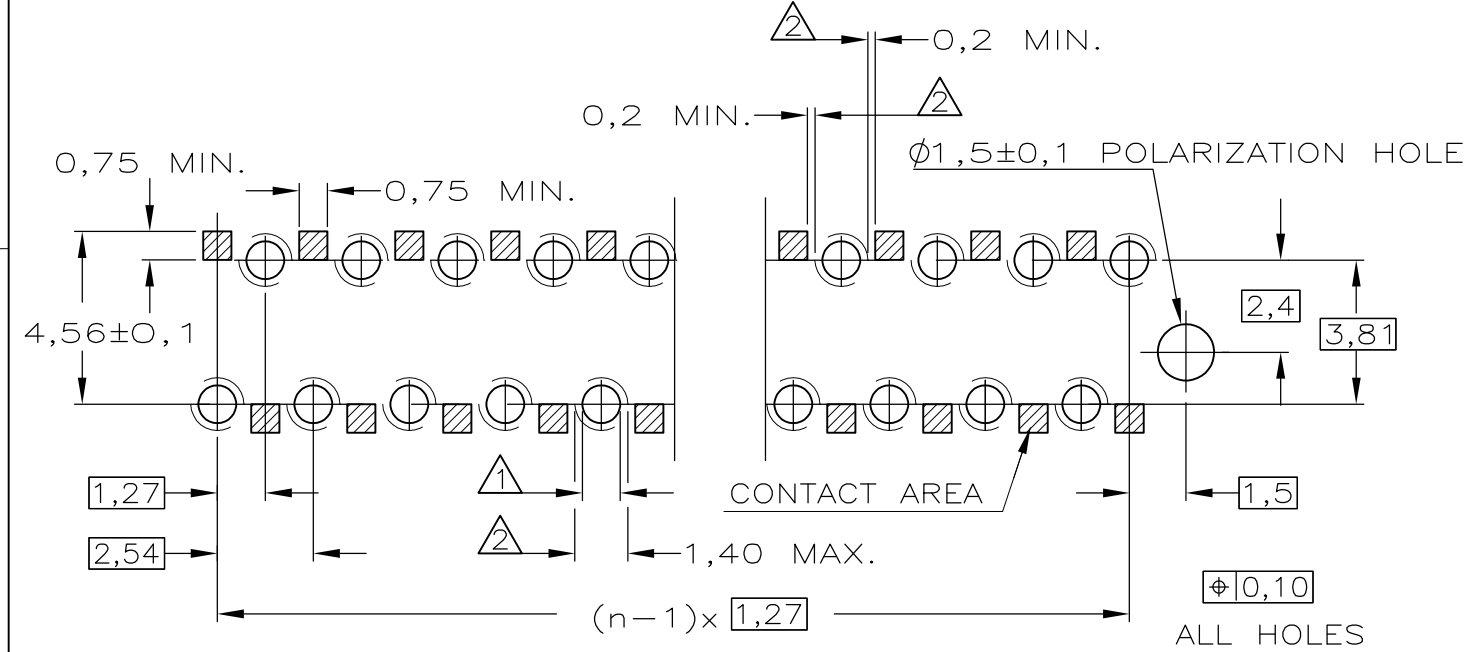
- HEIGHT OF CONNECTOR ABOVE P.C. BOARD SURFACE
AFTER INSERTION: 5,20±0,05
- FOR PC BOARD LAY-OUT SEE SHEET 2
- 3 FINISH: TIN OVER NICKEL PLATING.

THIS DRAWING IS A CONTROLLED DOCUMENT.		DWN 11-07-91 P V TONGEREN	TE Connectivity	
		CHK 11-07-91 H KOKKEN		
DIMENSIONS: mm		APVD -		NAME Micro MatCh FEMALE S.M.C. CONNECTOR
TOLERANCES UNLESS OTHERWISE SPECIFIED:		PRODUCT SPEC 108-19052		
0 PLC ± - 1 PLC ± 0.2 2 PLC ± - 3 PLC ± - 4 PLC ± - ANGLES ± -		APPLICATION SPEC 114-19027		SIZE A3
MATERIAL SEE TABLE		WEIGHT -		CAGE CODE 00779
FINISH 3		DRAWING NO C-100411		RESTRICTED TO -
		CUSTOMER DRAWING		SCALE 1:1
				SHEET 1 OF 3
				REV F3

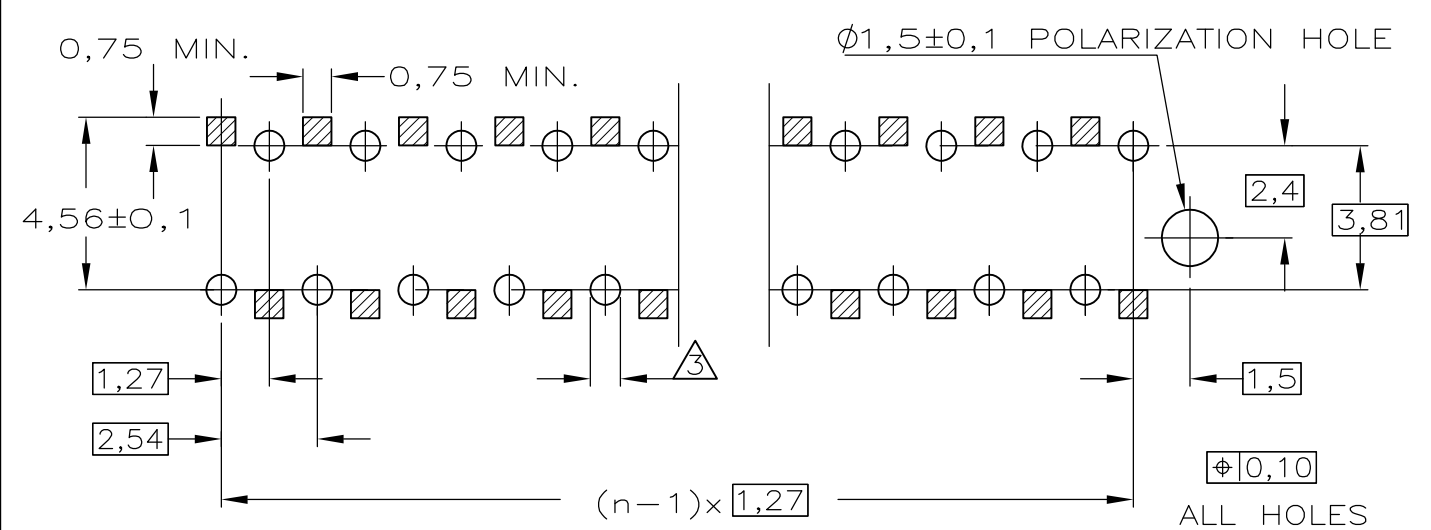
THIS DRAWING IS UNPUBLISHED. RELEASED FOR PUBLICATION
 © COPYRIGHT - By - ALL RIGHTS RESERVED.

LOC	DIST	REVISIONS			
P	LTR	DESCRIPTION	DATE	DWN	APVD
-	-	SEE SHEET 1	-	-	-

RECOMMENDED PC BOARD LAY-OUT (SOLDERSIDE SHOWN)



EPOXY PC BOARDS WITH PLATED OR UNPLATED DRILLED HOLES



PAPER PHENOLIC PC BOARDS WITH PUNCHED HOLES

- △1 EPOXY PC BOARD WITH UNPLATED DRILLED HOLES 1,00±0,05mm.
FOR PLATED HOLES: SEE TABLE 1
- △2 EPOXY PC BOARDS WITH PLATED DRILLED HOLES, SOLDER EYE 1,40 MAX. TO ACHIEVE A CREEPAGE DISTANCE BETWEEN SOLDER EYE AND CONTACT AREA CONNECTOR OF MIN. 0,20mm.

△3 HOLE DIAMETER 0,80^{+0,15}₋₀

TABLE 1

P.C.B. HOLE DIM. PLATED	
FIN. HOLE	0,95 TO 1,05 mm
Cu-thks	0,025 TO 0,050 mm
SnPb-thks	0,004 TO 0,010 mm

THIS DRAWING IS A CONTROLLED DOCUMENT.		DWN	11-07-91		STE TE Connectivity
		P	V TONGEREN		
		CHK	11-07-91		
		H	KOKKEN		
		APVD	-		NAME
		PRODUCT SPEC			Micro MatCh FEMALE S.M.C. CONNECTOR
		APPLICATION SPEC			-
		108-19052			SIZE
		114-19027			CAGE CODE
		WEIGHT			DRAWING NO
		-			A300779
		CUSTOMER DRAWING			RESTRICTED TO
		SCALE			1:1
		SHEET			2 OF 3
		REV			F3

THIS DRAWING IS UNPUBLISHED.

RELEASED FOR PUBLICATION

-. -. .

© COPYRIGHT - By -

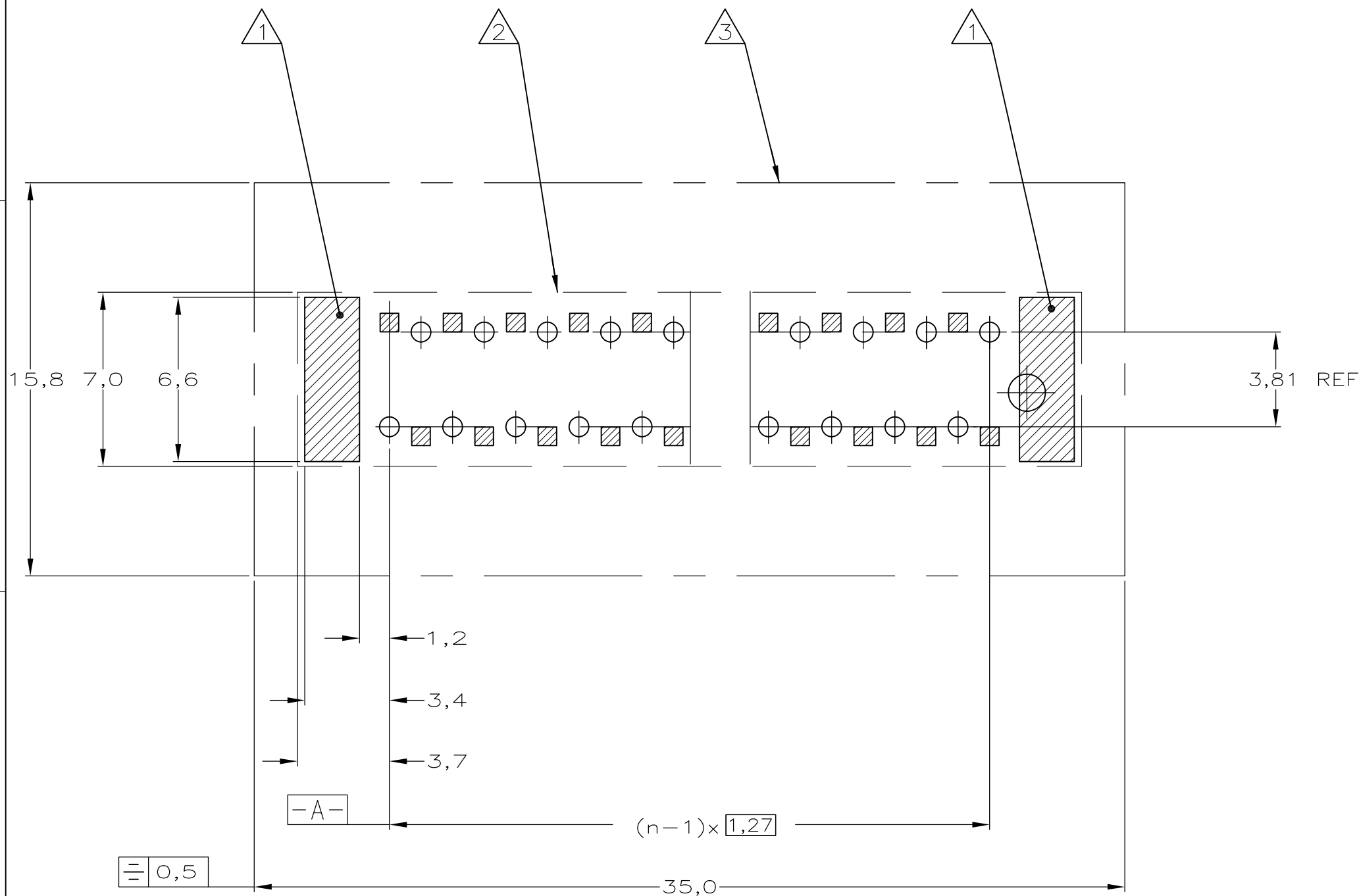
ALL RIGHTS RESERVED.


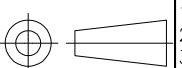
LOC	DIST	REVISIONS			
P	LTR	DESCRIPTION	DATE	DWN	APVD
-	-	SEE SHEET 1	-	-	-

P.C.B. LAYOUT RECOMENDATIONS TOOLING AREAS

NOTES:

- ① SHADED AREAS FREE OF (TINNED) COPPER TRACKS ON P.C.B.
- ② AREAS WITHIN THE DOTTED LINE FREE OF P.C.B. COMPONENTS, TOP AND BACK SIDE OF THE P.C.B.
- ③ AREA WITHIN THIS LINE FREE OF COMPONENTS HIGHER THAN 14 mm



THIS DRAWING IS A CONTROLLED DOCUMENT.		DWN H.vd STEEN 12.05.92	 TE Connectivity		
DIMENSIONS: mm		CHK H vd STEEN 12.05.92			
		APVD - -	NAME TOOLING AREAS Micro MatCh FEMALE S.M.C. CONNECTOR		
TOLERANCES UNLESS OTHERWISE SPECIFIED:		PRODUCT SPEC 108-19052	RESTRICTED TO		
0 PLC ± -		APPLICATION SPEC 114-19027	SIZE A3	CAGE CODE 00779	DRAWING NO C-100411
1 PLC ± 0.1		WEIGHT -	-		
2 PLC ± -		CUSTOMER DRAWING			
3 PLC ± -		SCALE 1:1	SHEET 3 OF 3	REV F3	
4 PLC ± -					
ANGLES ± -					
FINISH -					