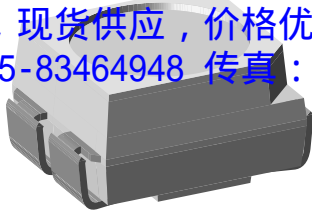


公司授权代理销售LITE-ON:光耦, 贴片LED灯管
 进口原装, 现货供应, 价格优势, 技术支持
 电话: 0755-83464948 传真: 0755-83464076



19211

DESCRIPTION

These devices have been designed to meet the increasing demand for surface mounting technology.

The package of the VLMSY3420 is the PLCC-4.

It consists of a lead frame which is embedded in a white thermoplast. The reflector inside this package is filled up with clear epoxy.

This SMD device consists of a red and yellow chip. So it is possible to choose the color in one device.

PRODUCT GROUP AND PACKAGE DATA

- Product group: LED
- Package: SMD PLCC-4
- Product series: bicolor
- Angle of half intensity: $\pm 60^\circ$

FEATURES

- SMD LED with exceptional brightness
- Multicolored
- Luminous intensity categorized
- EIA and ICE standard package
- Compatible with automatic placement equipment
- Compatible with IR reflow, vapor phase and wave soldering processes according to CECC 00802 and J-STD-020
- Available in 8 mm tape
- Low profile package
- Non-diffused lens: excellent for coupling to light pipes and backlighting
- Low power consumption
- Luminous intensity ratio in one packaging unit $I_{Vmax}/I_{Vmin} \leq 1.6$
- Preconditioning according to JEDEC® level 4
- ESD-withstand voltage: up to 2 kV according to JESD22-A114-B
- AEC-Q101 qualified
- Material categorization: for definitions of compliance please see www.vishay.com/doc?99912

AUTOMOTIVE GRADE


RoHS
 COMPLIANT
 HALOGEN
FREE
GREEN
 (5-2008)

APPLICATIONS

- Automotive: backlighting in dashboards and switches
- Telecommunication: indicator and backlighting in telephone and fax
- Indicator and backlight in office equipment
- Flat backlight for LCDs, switches, and symbols
- General use

PARTS TABLE

PART	COLOR	LUMINOUS INTENSITY (mcd)			at I _F (mA)	WAVELENGTH (nm)			at I _F (mA)	FORWARD VOLTAGE (V)			at I _F (mA)	TECHNOLOGY
		MIN.	TYP.	MAX.		MIN.	TYP.	MAX.		MIN.	TYP.	MAX.		
VLMSY3420-GS08	Red	224	-	900	50	-	630	-	50	-	2.1	2.6	50	AllnGaP on GaAs
VLMSY3420-GS08	Yellow	280	-	1120	50	581	588	594	50	-	2.1	2.6	50	AllnGaP on GaAs
VLMSY3420-GS18	Red	224	-	900	50	-	630	-	50	-	2.1	2.6	50	AllnGaP on GaAs
VLMSY3420-GS18	Yellow	280	-	1120	50	581	588	594	50	-	2.1	2.6	50	AllnGaP on GaAs

ABSOLUTE MAXIMUM RATINGS (T_{amb} = 25 °C, unless otherwise specified)
VLMSY3420

PARAMETER	TEST CONDITION	SYMBOL	VALUE	UNIT	
Reverse voltage per diode ⁽¹⁾	I _R = 10 μA	V _R	5	V	
DC forward current per diode	T _{amb} ≤ 65 °C	I _F	50	mA	
Surge forward current per diode		I _{FSM}	0.1	A	
Power dissipation per diode		P _V	130	mW	
Junction temperature		T _j	125	°C	
Operating temperature range		T _{amb}	-40 to +100	°C	
Storage temperature range		T _{stg}	-40 to +100	°C	
Thermal resistance junction / ambient	Mounted on PC board (pad size > 16 mm ²)	1 chip on	R _{thJA}	480	K/W
		2 chips on	R _{thJA}	650	K/W

Note

⁽¹⁾ Driving the LED in reverse direction is suitable for short term application

**OPTICAL AND ELECTRICAL CHARACTERISTICS** ($T_{amb} = 25\text{ }^{\circ}\text{C}$, unless otherwise specified)
VLMSY3420, SUPER RED

PARAMETER	TEST CONDITION	PART	SYMBOL	MIN.	TYP.	MAX.	UNIT
Luminous intensity	$I_F = 50\text{ mA}$	VLMSY3420	I_V	224	-	900	mcd
Dominant wavelength	$I_F = 50\text{ mA}$		λ_d	-	630	-	nm
Peak wavelength	$I_F = 50\text{ mA}$		λ_p	-	643	-	nm
Angle of half intensity	$I_F = 50\text{ mA}$		ϕ	-	± 60	-	deg
Forward voltage	$I_F = 50\text{ mA}$		V_F	-	2.1	2.6	V
Reverse current	$V_R = 5\text{ V}$		I_R	-	-	10	μA
Junction capacitance	$V_R = 0\text{ V}$, $f = 1\text{ MHz}$		C_j	-	15	-	pF

OPTICAL AND ELECTRICAL CHARACTERISTICS ($T_{amb} = 25\text{ }^{\circ}\text{C}$, unless otherwise specified)
VLMSY3420, YELLOW

PARAMETER	TEST CONDITION	PART	SYMBOL	MIN.	TYP.	MAX.	UNIT
Luminous intensity	$I_F = 50\text{ mA}$	VLMSY3420	I_V	280	-	1120	mcd
Dominant wavelength	$I_F = 50\text{ mA}$		λ_d	581	588	594	nm
Peak wavelength	$I_F = 50\text{ mA}$		λ_p	-	590	-	nm
Angle of half intensity	$I_F = 50\text{ mA}$		ϕ	-	± 60	-	deg
Forward voltage	$I_F = 50\text{ mA}$		V_F	-	2.1	2.6	V
Reverse current	$V_R = 5\text{ V}$		I_R	-	-	10	μA
Junction capacitance	$V_R = 0\text{ V}$, $f = 1\text{ MHz}$		C_j	-	15	-	pF

LUMINOUS INTENSITY CLASSIFICATION AND GROUP COMBINATIONS VLMSY3420

		RED					
		S2 224 mcd to 280 mcd	T1 280 mcd to 355 mcd	T2 355 mcd to 450 mcd	U1 450 mcd to 560 mcd	U2 560 mcd to 710 mcd	V1 710 mcd to 900 mcd
Y E L L O W	T1 280 mcd to 355 mcd	VLMSY3420	VLMSY3420	VLMSY3420	VLMSY3420	VLMSY3420	VLMSY3420
	T2 355 mcd to 450 mcd	VLMSY3420	VLMSY3420	VLMSY3420	VLMSY3420	VLMSY3420	VLMSY3420
	U1 450 mcd to 560 mcd	VLMSY3420	VLMSY3420	VLMSY3420	VLMSY3420	VLMSY3420	VLMSY3420
	U2 560 mcd to 710 mcd	VLMSY3420	VLMSY3420	VLMSY3420	VLMSY3420	VLMSY3420	VLMSY3420
	V1 710 mcd to 900 mcd	VLMSY3420	VLMSY3420	VLMSY3420	VLMSY3420	VLMSY3420	VLMSY3420
	V2 900 mcd to 1120 mcd	VLMSY3420	VLMSY3420	VLMSY3420	VLMSY3420	VLMSY3420	VLMSY3420

Note

- Luminous intensity is tested at a current pulse duration of 25 ms and an accuracy of $\pm 11\%$

COLOR CLASSIFICATION

GROUP	DOMINANT WAVELENGTH (nm)	
	YELLOW	
	MIN.	MAX.
1	581	584
2	583	586
3	585	588
4	587	590
5	589	592
6	591	594

Note

- Wavelengths are tested at a current pulse duration of 25 ms.

TYPICAL CHARACTERISTICS ($T_{amb} = 25\text{ }^{\circ}\text{C}$, unless otherwise specified)

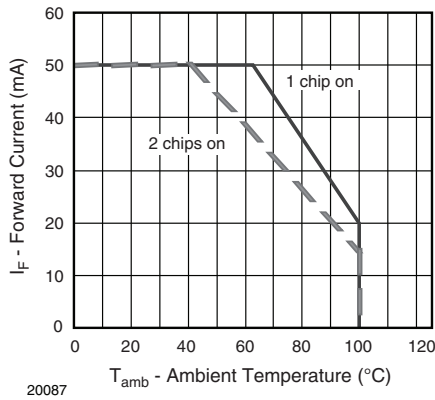


Fig. 1 - Forward Current vs. Ambient Temperature

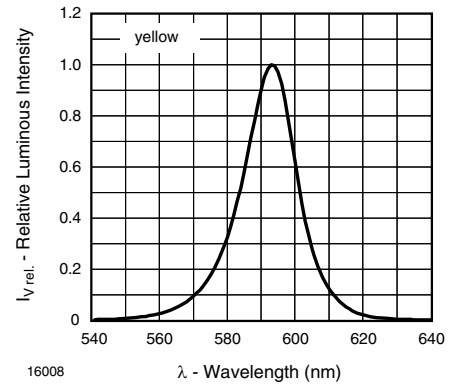


Fig. 4 - Relative Intensity vs. Wavelength

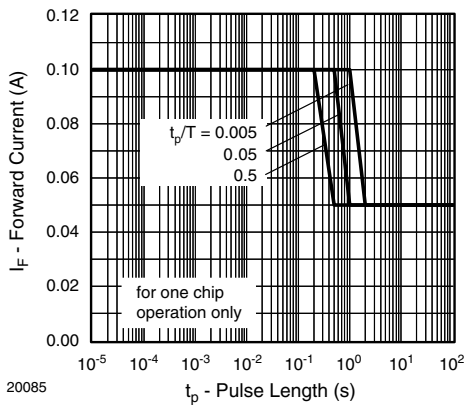


Fig. 2 - Forward Current vs. Pulse Duration

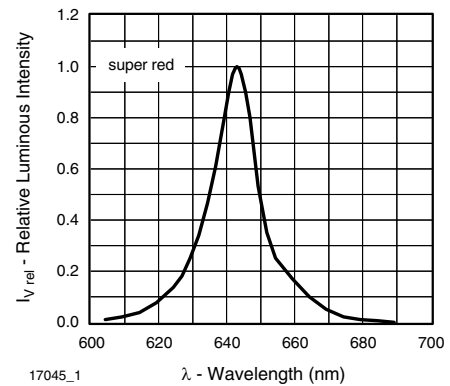


Fig. 5 - Relative Intensity vs. Wavelength

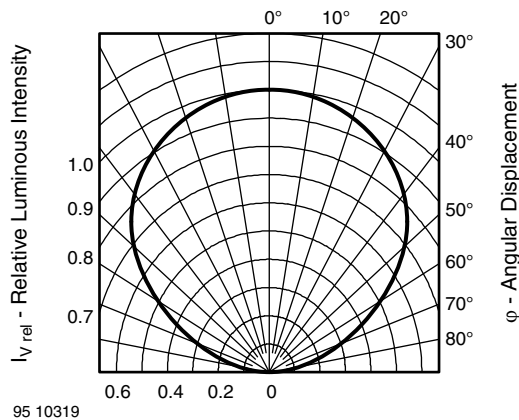


Fig. 3 - Relative Luminous Intensity vs. Angular Displacement

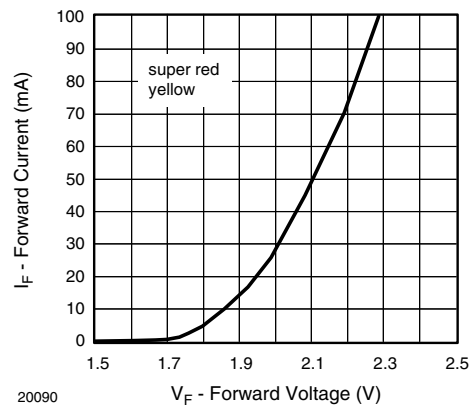


Fig. 6 - Relative Forward Voltage vs. Ambient Temperature

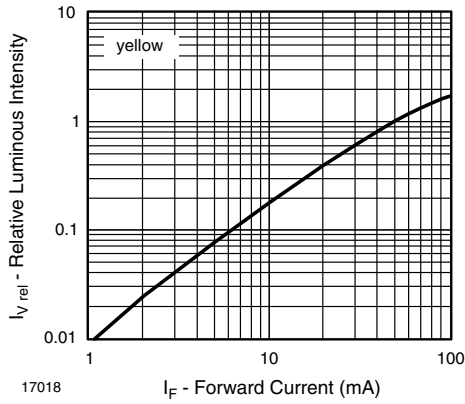


Fig. 7 - Relative Luminous Intensity vs. Forward Current

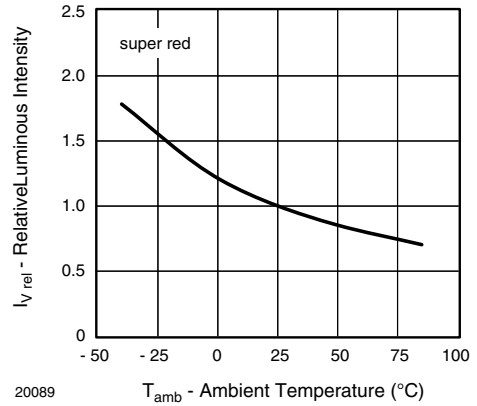


Fig. 10 - Relative Luminous Intensity vs. Ambient Temperature

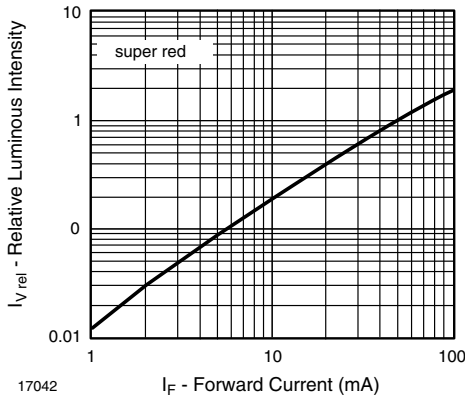


Fig. 8 - Relative Luminous Intensity vs. Forward Current

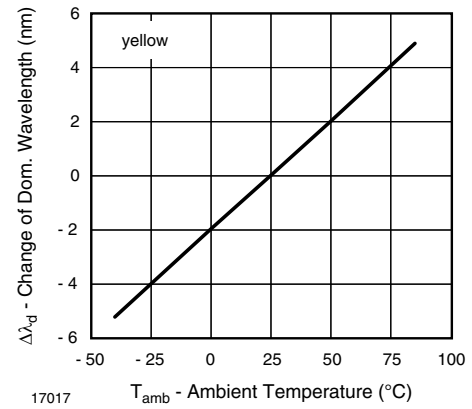


Fig. 11 - Relative Luminous Intensity vs. Ambient Temperature

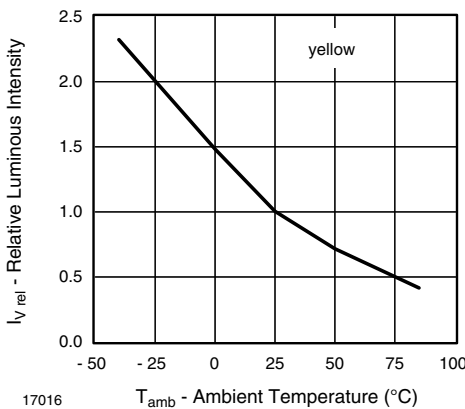


Fig. 9 - Relative Luminous Intensity vs. Ambient Temperature

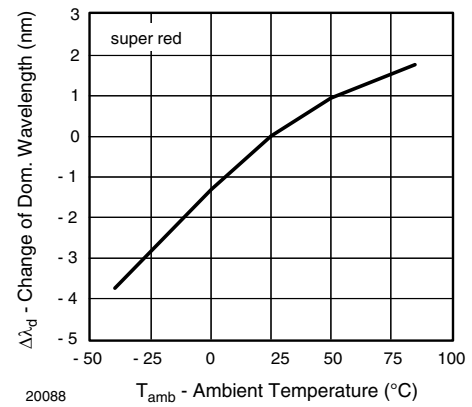


Fig. 12 - Change of Dominant Wavelength vs. Ambient Temperature

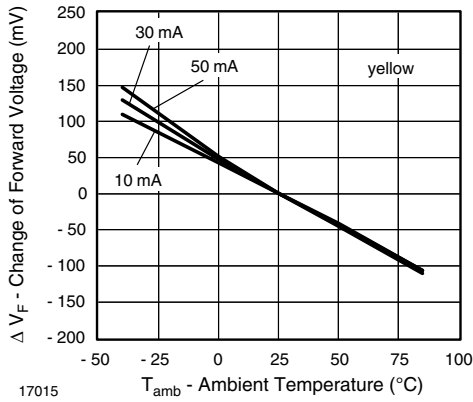


Fig. 13 - Change of Forward Voltage vs. Ambient Temperature

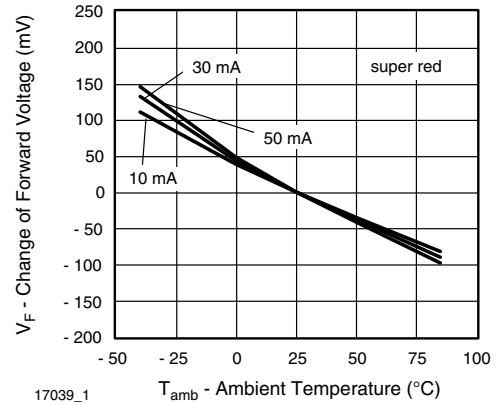
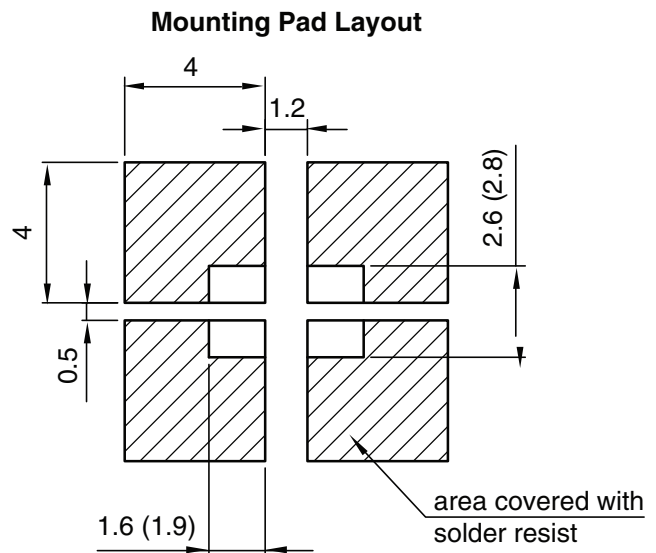
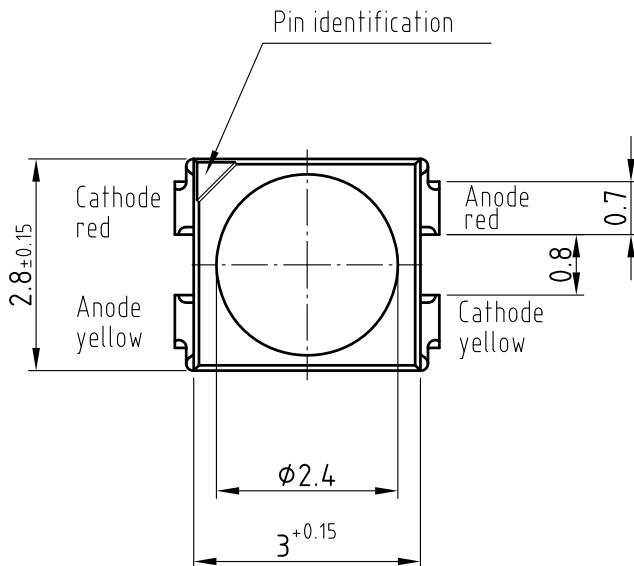
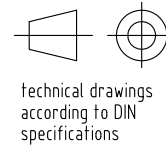
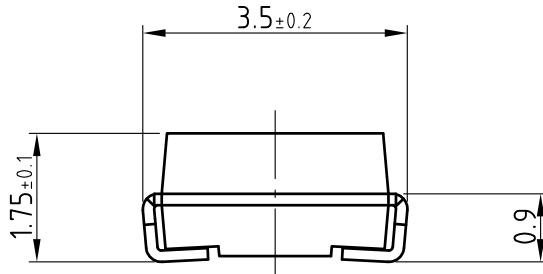


Fig. 14 - Change of Forward Voltage vs. Ambient Temperature

PACKAGE DIMENSIONS in millimeters



Dimensions: IR and Vaporphase
(Wave Soldering)

Drawing-No.: 6.541-5057.01-4

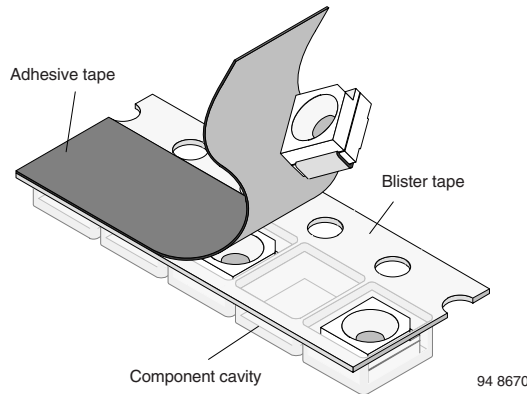
Issue: 5; 30.05.07

19899

METHOD OF TAPING / POLARITY AND TAPE AND REEL

SMD LED (VLM.3-SERIES)

Vishay's LEDs in SMD packages are available in an antistatic 8 mm blister tape (in accordance with DIN IEC 40 (CO) 564) for automatic component insertion. The blister tape is a plastic strip with impressed component cavities, covered by a top tape.



REEL PACKAGE DIMENSION IN MILLIMETERS FOR SMD LEDs, TAPE OPTION GS08 (= 1500 PCS.)

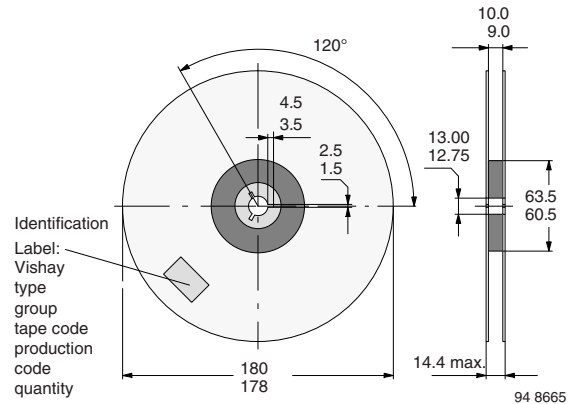


Fig. 16 - Reel Dimensions - GS08

TAPING OF VLM.3...

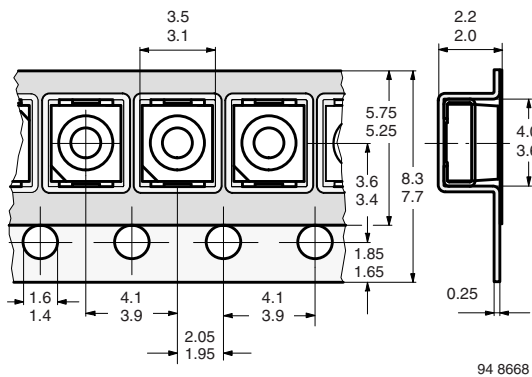


Fig. 15 - Tape Dimensions in mm for PLCC-2

REEL PACKAGE DIMENSION IN MILLIMETERS FOR SMD LEDs, TAPE OPTION GS18 (= 8000 PCS.) PREFERRED

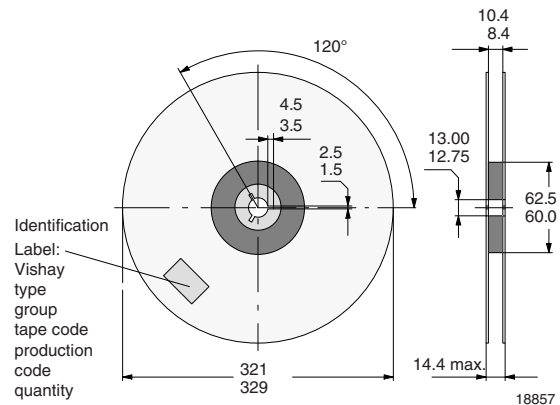


Fig. 17 - Reel Dimensions - GS18

SOLDERING PROFILE

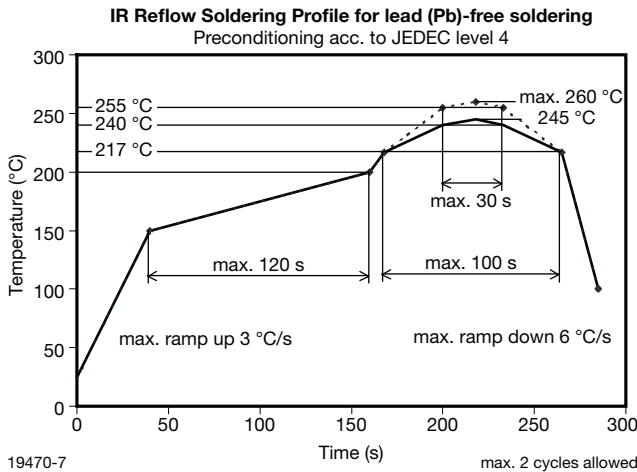


Fig. 18 - Vishay Lead (Pb)-free Reflow Soldering Profile (acc. to J-STD-020)

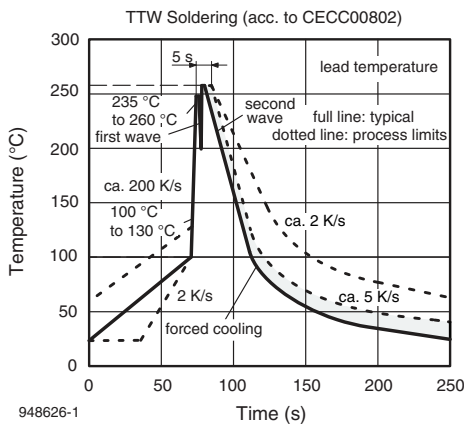
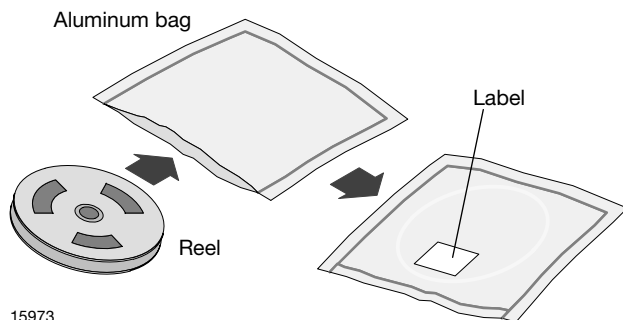


Fig. 19 - Double Wave Soldering of Opto Devices (all Packages)

DRY PACKING

The reel is packed in an anti-humidity bag to protect the devices from absorbing moisture during transportation and storage.



FINAL PACKING

The sealed reel is packed into a cardboard box. A secondary cardboard box is used for shipping purposes.

RECOMMENDED METHOD OF STORAGE

Dry box storage is recommended as soon as the aluminum bag has been opened to prevent moisture absorption. The following conditions should be observed, if dry boxes are not available:

- Storage temperature 10 °C to 30 °C
- Storage humidity ≤ 60 % RH max.

After more than 72 h under these conditions moisture content will be too high for reflow soldering.

In case of moisture absorption, the devices will recover to the former condition by drying under the following condition: 192 h at 40 °C + 5 °C / - 0 °C and < 5 % RH (dry air / nitrogen) or

96 h at 60 °C + 5 °C and < 5 % RH for all device containers or

24 h at 100 °C + 5 °C not suitable for reel or tubes.

An EIA JEDEC standard JESD22-A112 level 4 label is included on all dry bags.

CAUTION
This bag contains
MOISTURE-SENSITIVE DEVICES

LEVEL
4

1. Shelf life in sealed bag: 12 months at < 40 °C and < 90 % relative humidity (RH)
2. After this bag is opened, devices that will be subjected to infrared reflow, vapor-phase reflow, or equivalent processing (peak package body temp. 260 °C) must be:
 - 2a. Mounted within 72 hours at factory condition of < 30 °C / 60 % RH or 2b. Stored at ≤ 10 % RH
3. Devices require baking before mounting if:
Humidity Indicator Card is > 10 % when read at 23 °C ± 5 °C or 2a. or 2b. is not met.
4. If baking is required, devices may be baked for:
192 hours at 40 °C + 5 °C / - 0 °C and < 5 % RH (dry air / nitrogen) or
96 hours at 60 °C ± 5 °C and < 5 % RH for all device containers or
24 hours at 100 °C ± 5 °C not suitable for reels or tubes

Bag Seal Date: _____
(If blank, see barcode label)

Note: Level defined by EIA JEDEC Standard JESD22-A113

22860

Example of JESD22-A112 level 4 label

ESD PRECAUTION

Proper storage and handling procedures should be followed to prevent ESD damage to the devices especially when they are removed from the antistatic shielding bag. Electro-static sensitive devices warning labels are on the packaging.

VISHAY SEMICONDUCTORS STANDARD BAR CODE LABELS

The Vishay Semiconductors standard bar code labels are printed at final packing areas. The labels are on each packing unit and contain Vishay Semiconductors specific data.



Disclaimer

ALL PRODUCT, PRODUCT SPECIFICATIONS AND DATA ARE SUBJECT TO CHANGE WITHOUT NOTICE TO IMPROVE RELIABILITY, FUNCTION OR DESIGN OR OTHERWISE.

Vishay Intertechnology, Inc., its affiliates, agents, and employees, and all persons acting on its or their behalf (collectively, "Vishay"), disclaim any and all liability for any errors, inaccuracies or incompleteness contained in any datasheet or in any other disclosure relating to any product.

Vishay makes no warranty, representation or guarantee regarding the suitability of the products for any particular purpose or the continuing production of any product. To the maximum extent permitted by applicable law, Vishay disclaims (i) any and all liability arising out of the application or use of any product, (ii) any and all liability, including without limitation special, consequential or incidental damages, and (iii) any and all implied warranties, including warranties of fitness for particular purpose, non-infringement and merchantability.

Statements regarding the suitability of products for certain types of applications are based on Vishay's knowledge of typical requirements that are often placed on Vishay products in generic applications. Such statements are not binding statements about the suitability of products for a particular application. It is the customer's responsibility to validate that a particular product with the properties described in the product specification is suitable for use in a particular application. Parameters provided in datasheets and / or specifications may vary in different applications and performance may vary over time. All operating parameters, including typical parameters, must be validated for each customer application by the customer's technical experts. Product specifications do not expand or otherwise modify Vishay's terms and conditions of purchase, including but not limited to the warranty expressed therein.

Except as expressly indicated in writing, Vishay products are not designed for use in medical, life-saving, or life-sustaining applications or for any other application in which the failure of the Vishay product could result in personal injury or death. Customers using or selling Vishay products not expressly indicated for use in such applications do so at their own risk. Please contact authorized Vishay personnel to obtain written terms and conditions regarding products designed for such applications.

No license, express or implied, by estoppel or otherwise, to any intellectual property rights is granted by this document or by any conduct of Vishay. Product names and markings noted herein may be trademarks of their respective owners.